

Dual-Band Omni-Directional Antenna for 2400 - 2500 MHz / 5150 - 5875 MHz

Preliminary 0.1

FLE05-220170

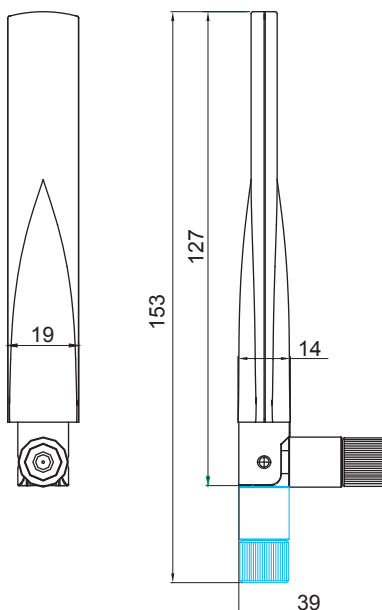
Electrical Specification

Frequency range	2400 - 2500 MHz	5150 - 5350 MHz	5350 - 5875 MHz
Peak Gain	3 dBi	4~5.5 dBi	5.5~6 dBi
Average Gain	2 dBi	2~3.5 dBi	3.5~4.5 dBi
VSWR	2.0 : 1 Max.		
Polarization	Linear, vertical		
HPBW / horizontal	360°	360°	360°
HPBW / vertical	50°	25°	25°
Power handling	2 W (cw)		
Impedance	50 Ohm		
Connector	RP SMA Plug		

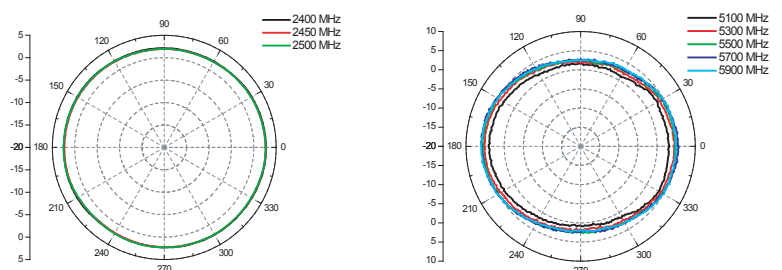


Environmental & Mechanical Characteristics

Temperature	- 10°C to + 55°C
Humidity	95% @ 55°C
Radome color	White
Radome material	ABS, UV resistant
Weight	21 g
Dimensions	19 x 39 x 153 mm



H-plane Co-polarization Pattern



V-plane Co-polarization Pattern

