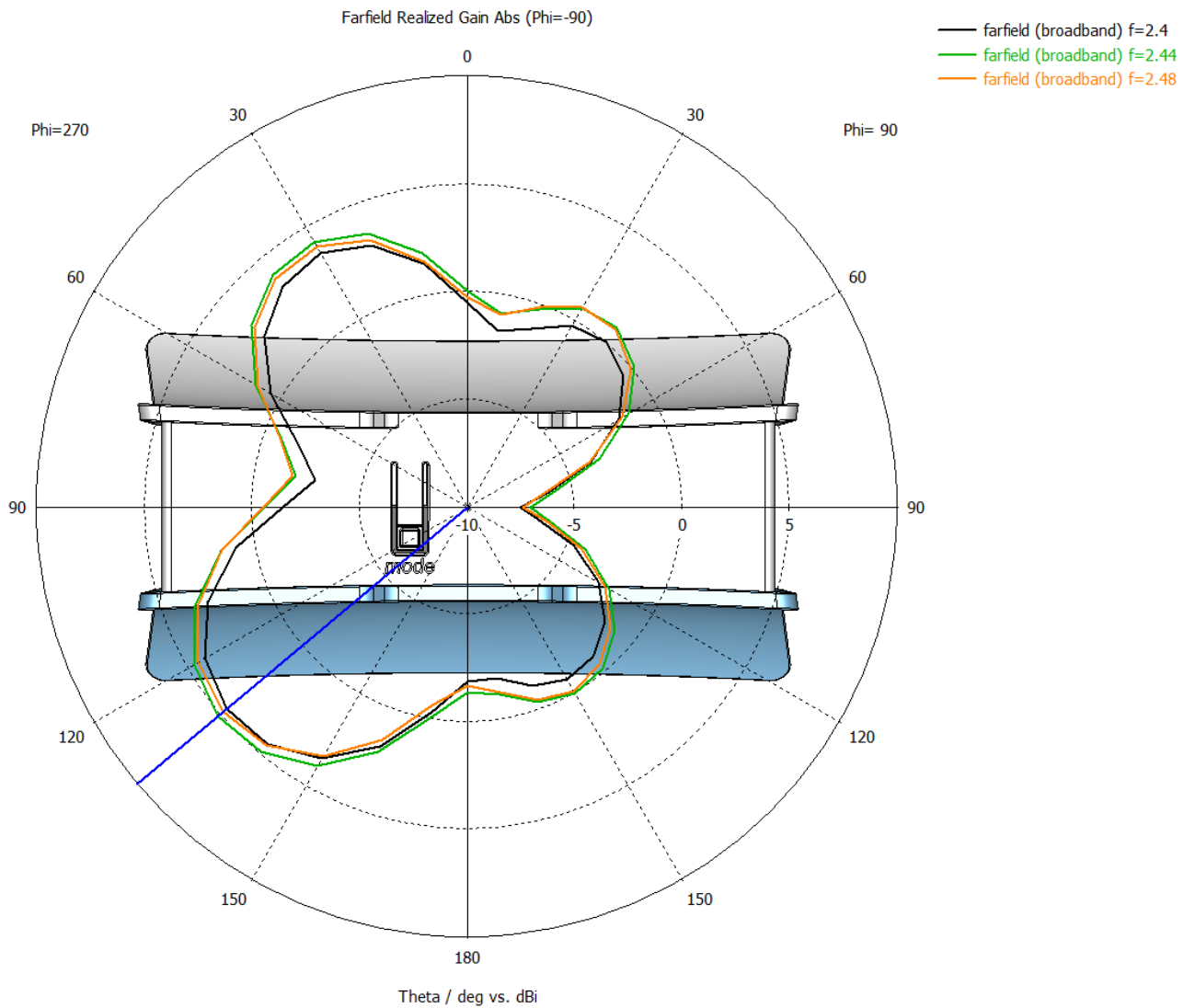


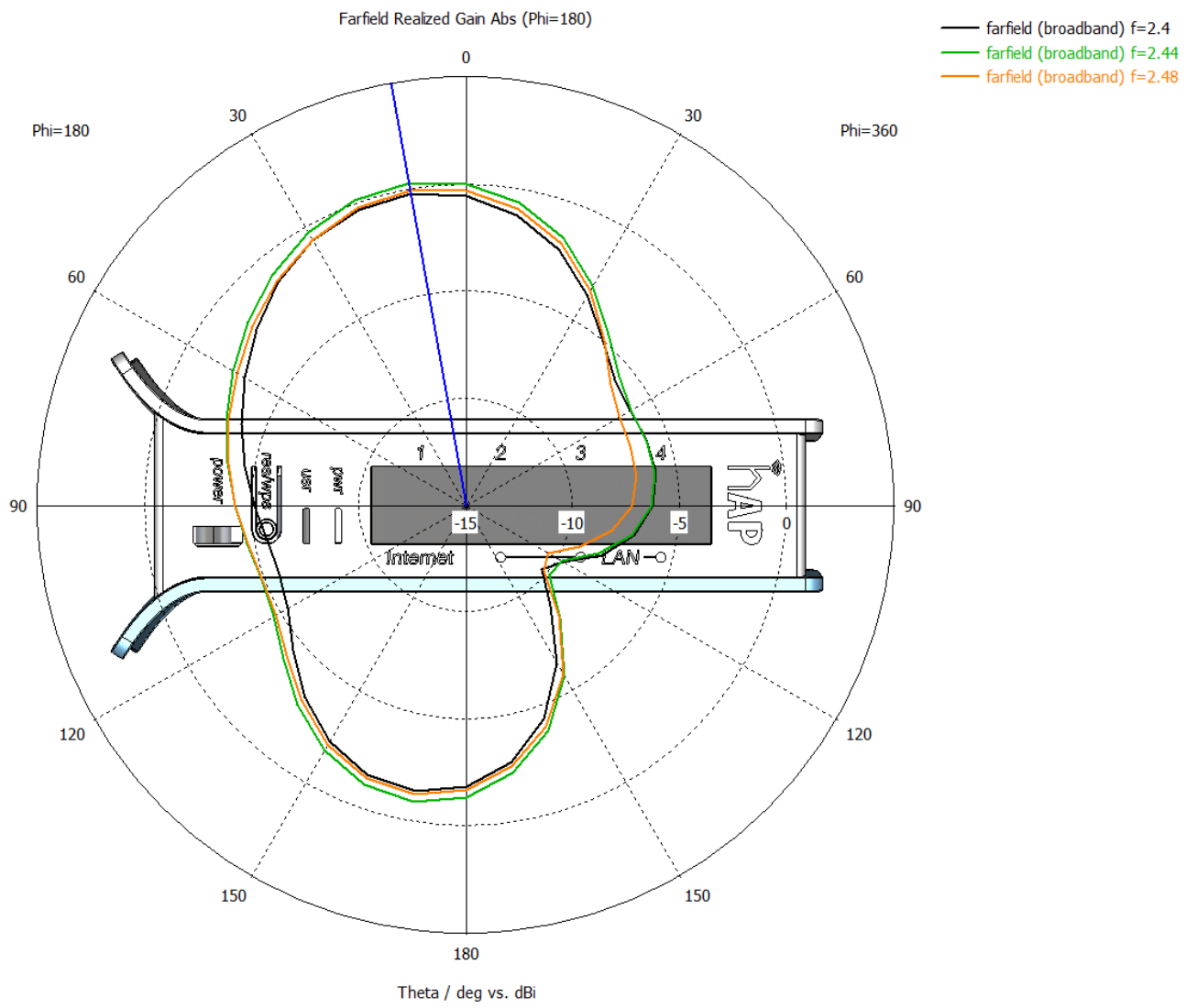
## Antenna Specification

Model name:	MikroTik onboard 2.4 GHz
Center Frequency:	2400 – 2480 MHz
MAX. Gain:	4.3 dBi
Polarization:	Vertical and Horizontal
Azimuth Beam Pattern:	Omni-directional
Impedance:	50 Ohm

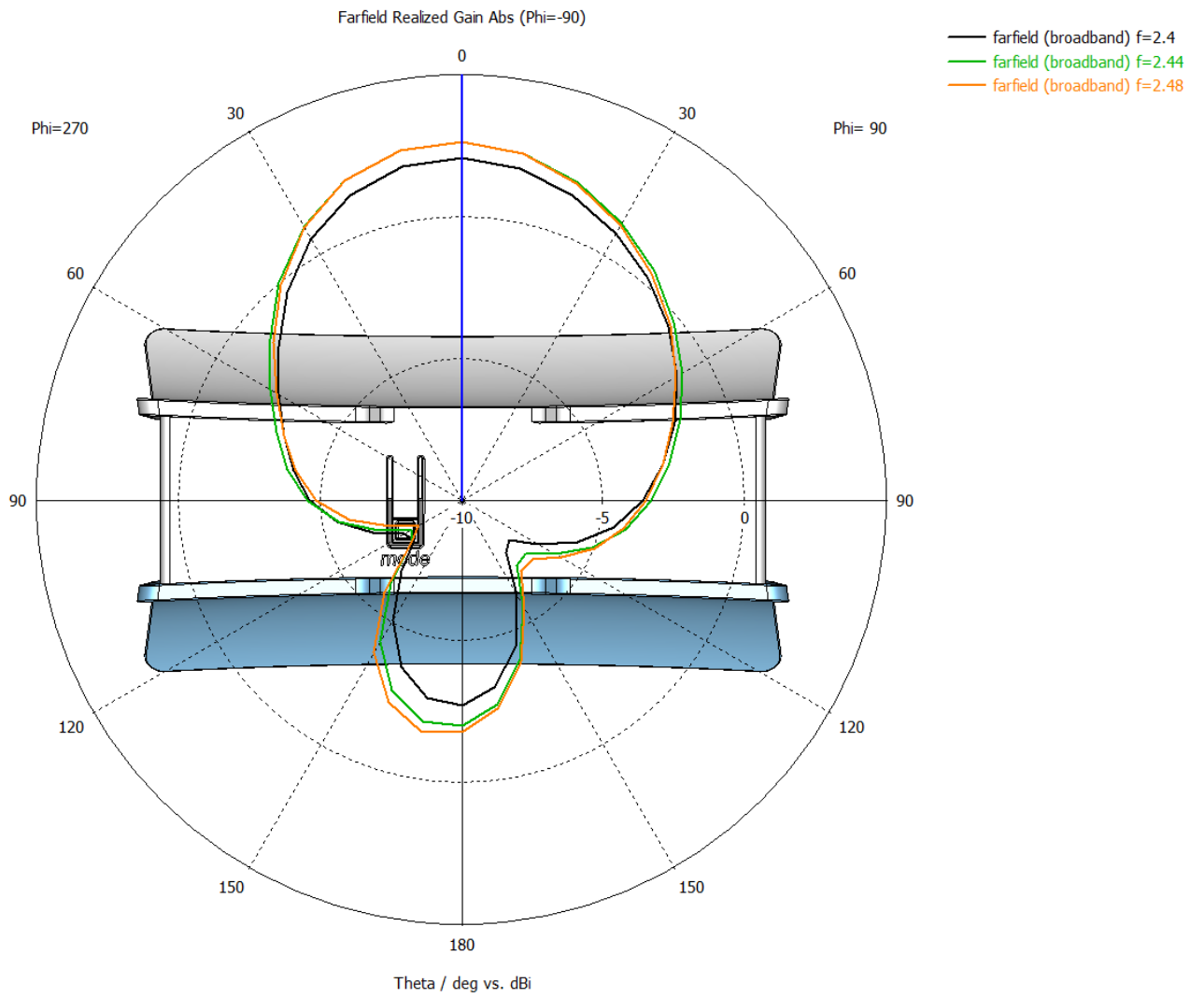
Port #1:



Port #1:



Port #2:



Port #2:

