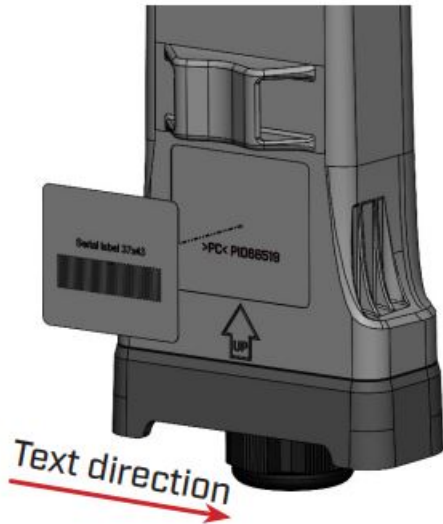


Label and its location



1. CE label

CME Gateway
ID: CME22-2n-BG77
FCC ID: TV7CMEBG77
IC: 7442A-CMEBG77
E01: xxx
W01: xxx
SN : xxx
Contains FCC ID: XMR2019BG77
Contains IC: 10224A-201912BG77
User: admin
Password: xxx
Wifi key: xxx

MikroTik This device complies with Part 15 of the FCC Rules. Operation is subject the following two conditions: 1) this device may not cause harmful interference, and 2) this device must accept any interference received, including interference that may cause undesired operation. Manufacturer: Mikrotikls SIA, Brivibas gatve 214i, Riga, Latvia , LV1039



2. FCC/IC label

CME Gateway
ID: CME22-2n-BG77
FCC ID: TV7CMEBG77
IC: 7442A-CMEBG77
E01: xxx
W01: xxx
SN : xxx
Contains FCC ID: XMR201912BG77
Contains IC: 10224A-201912BG77
User: admin
Password: xxx
Wifi key: xxx

MikroTik This device complies with Part 15 of the FCC Rules. Operation is subject the following two conditions: 1) this device may not cause harmful interference, and 2) this device must accept any interference received, including interference that may cause undesired operation. Manufacturer: Mikrotikls SIA, Brivibas gatve 214i, Riga, Latvia , LV1039

