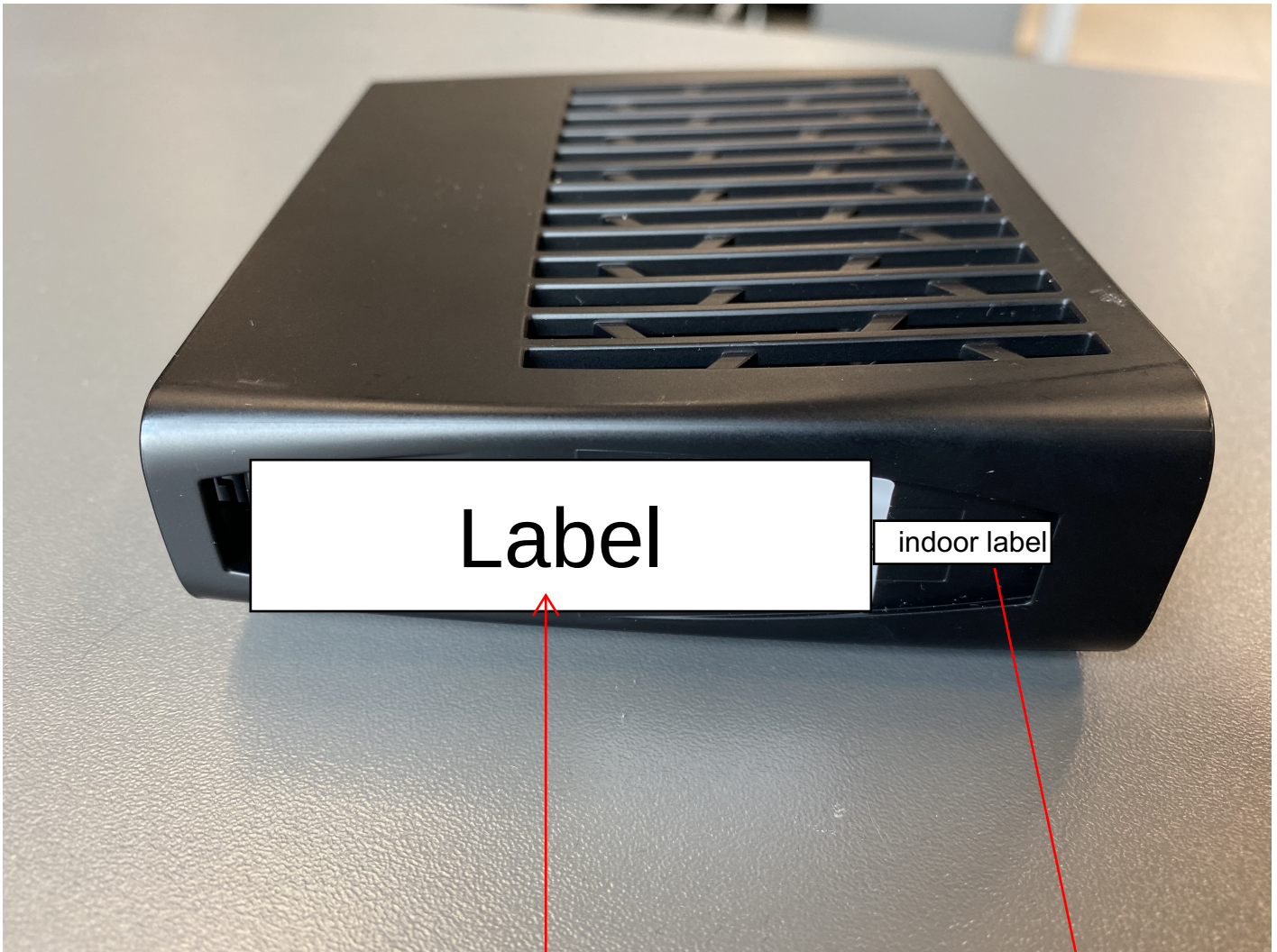





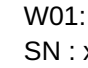


## Label and its location








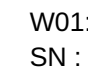
### 1. CE label

<p><b>MikroTik</b> This device complies with Part 15 of the FCC Rules. Operation is subject the following two conditions: 1) this device may not cause harmful interference, and 2) this device must accept any interference received, including interference that may cause undesired operation. <u>Manufacturer: Mikrotikls SIA, Brivibas gatve 214i, Riga, Latvia, LV1039</u></p> <p>     </p>	<p>hAP ax<sup>2</sup> ID: C52iG-5HaxD2HaxD-TC FCC ID: TV7C52-5AXD2AXD IC: 7442A-C52AX E01: xxx W01: xxx SN : xxx</p>
---	--

### Indoor Label

Indoor Use Only

### 2. FCC/IC label

<p><b>MikroTik</b> This device complies with Part 15 of the FCC Rules. Operation is subject the following two conditions: 1) this device may not cause harmful interference, and 2) this device must accept any interference received, including interference that may cause undesired operation. <u>Manufacturer: Mikrotikls SIA, Brivibas gatve 214i, Riga, Latvia, LV1039</u></p> <p>     </p>	<p>hAP ax<sup>2</sup> ID: C52iG-5HaxD2HaxD-TC-US FCC ID: TV7C52-5AXD2AXD IC: 7442A-C52AX E01: xxx W01: xxx SN : xxx</p>
---	---