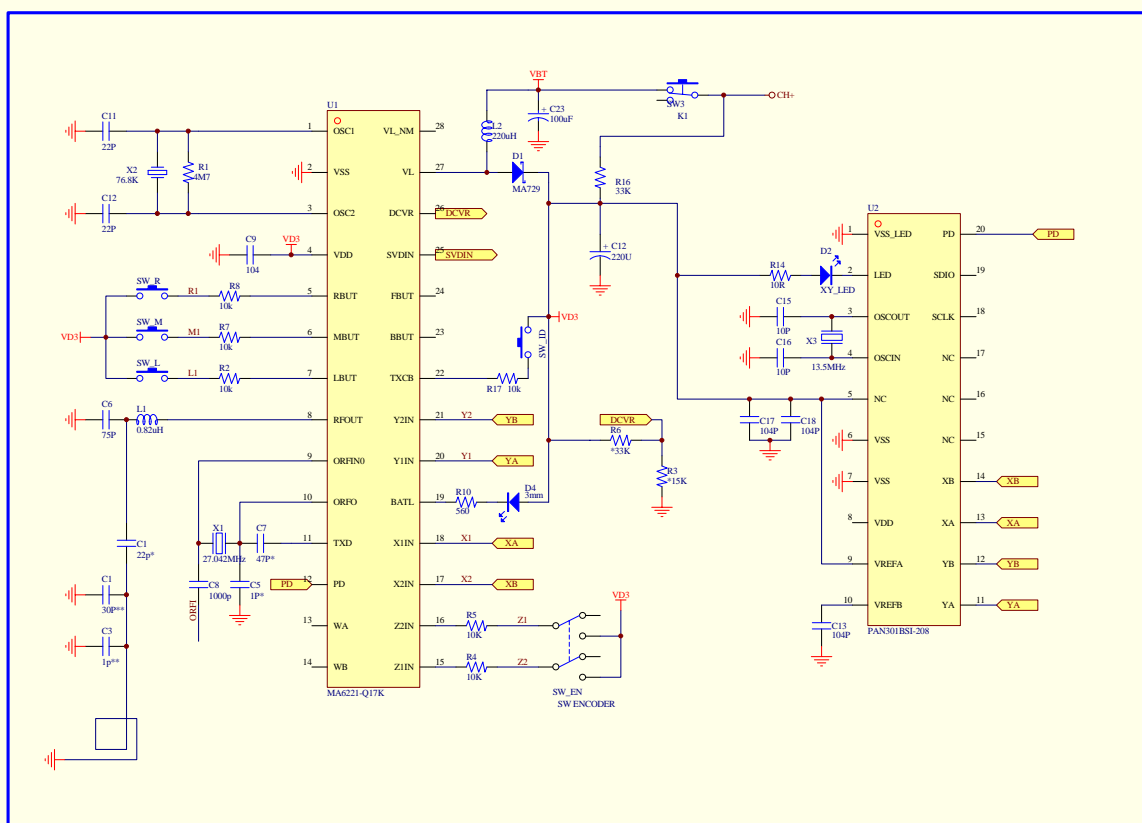
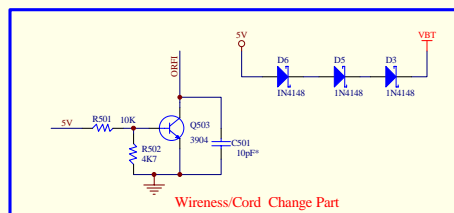
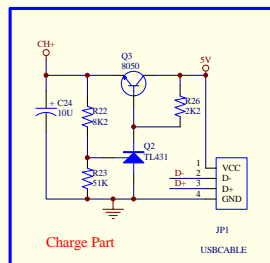
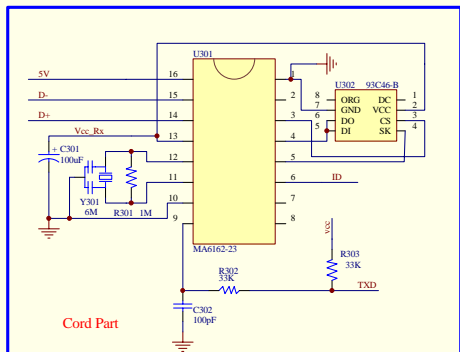


DS-2135-Z TX SCH



Title		
Size	Number	Revision
A3		
Date:	4-Oct-2006	Sheet of
File:	E:\yuhang\RD\2135-Z135.ddb	Drawn By: