

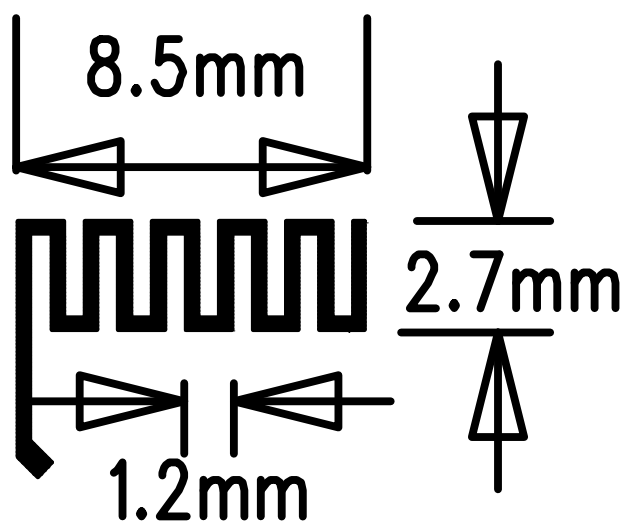
# ANTENNA SPECIFICATION

## Specifications

### Summary

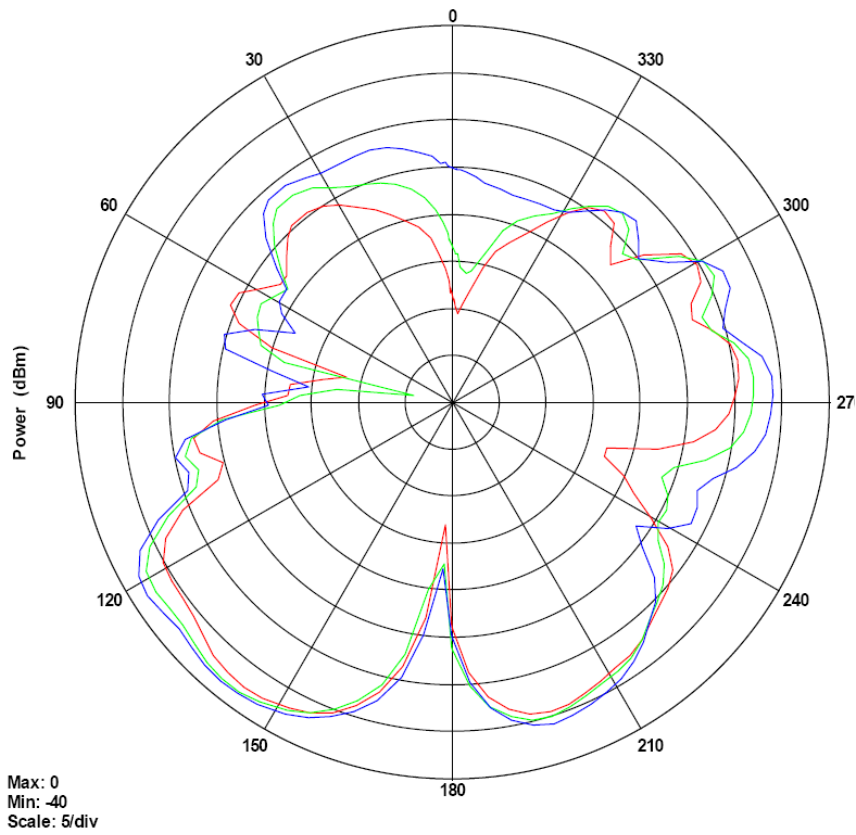
ITEM	SPEC.					
Model Name	E-1191					
Center Frequency	Horizontal			Vertical		
	2403MHz	2441MHz	2480MHz	2408MHz	2440MHz	2478MHz
	-2.64	-1.89	-1.66	-7.09	-4.70	-3.15
MAX. Gain	-1.66					
Polarization	Horizontal and Vertical					
Azimuth Beam Pattern	Omni-directional					
Impedance	50 Ohm					
Antenna Length	27mm					
Manufacture	<a href="#">Mosart Semiconductor Corp</a>					

### Antenna Photo & Length (mm)



Horizontal:

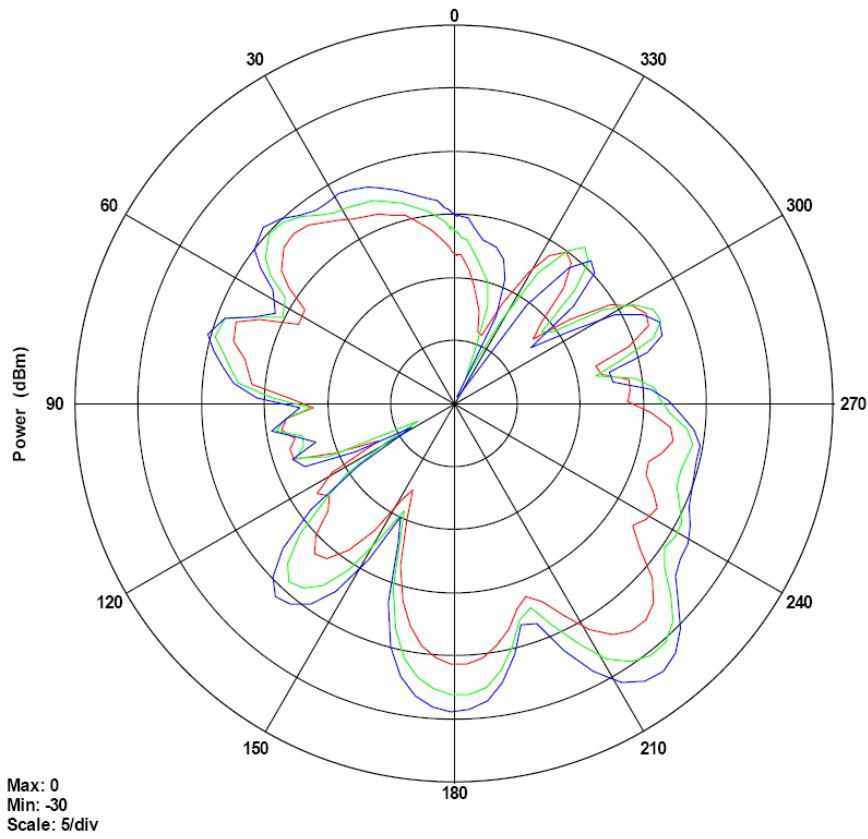
2408MHz    2440MHz    2478MHz



Frequency (MHz)	Gain (dBi)		
	Max.	Min.	Avg.
2408	-2.64776	-30.6718	-9.77028
2440	-1.89964	-35.918	-8.87095
2478	-1.66516	-24.7457	-7.99065

Vertical:

2408MHz    2440MHz    2478MHz



Frequency (MHz)	Gain (dBi)		
	Max.	Min.	Avg.
2408	-7.09317	-24.1891	-13.5194
2440	-4.7048	-27.8246	-11.666
2478	-3.1576	-29.4867	-10.5684