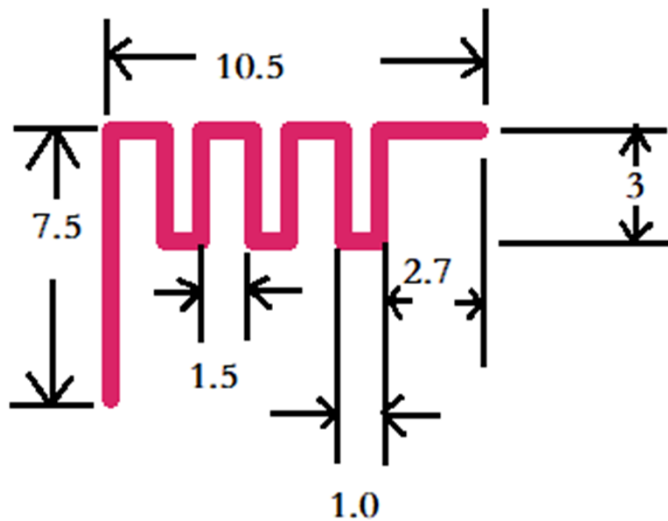


2629 Antenna Specifications

主要技术指标		Main technical specifications	
频率 (MHz)	2400/2450/2500	Frequency (MHz)	2400/2450/2500
特性阻抗 (Ω)	50±10	Impedance (Ω)	50±10
增益 (dBi)	max 0.11	Gain(dBi)	max 0.11
输出电压 驻波比	<1.0	VSWR	<1.0
最大功率	1mW	Admitted power	1mW
极化方式	垂直极化	Polarization	Linear, Vertical
方向性	全向性	Radiation	Omni-directional
连接方式	SMA	Connector Type	SMA
物理性能		Physical properties	
天线材料	PCB	Antenna base	PCB
工作温度	-20℃ ~ +60℃	Operating temp	-20℃ ~ +60℃
保存温度	-20℃ ~ +70℃	Storage temp	-20℃ ~ +70℃





Neutron Engineering Inc.

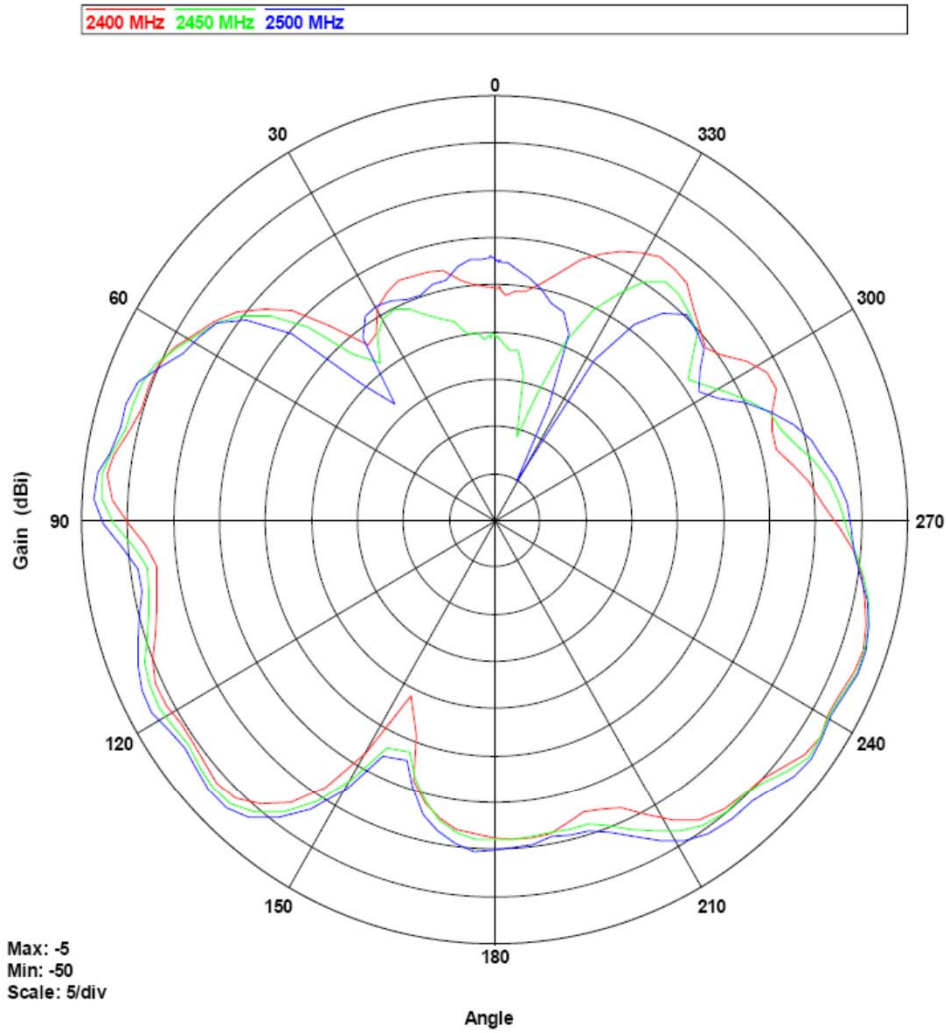
Test Result (Gain)

Frequency (MHz)	Max Gain (dBi)	
	Vertical	Horizontal
2400	-8.12	0.11
2450	-7.50	-0.49
2500	-6.89	-0.78



Neutron Engineering Inc.

Antenna Pattern-Vertical



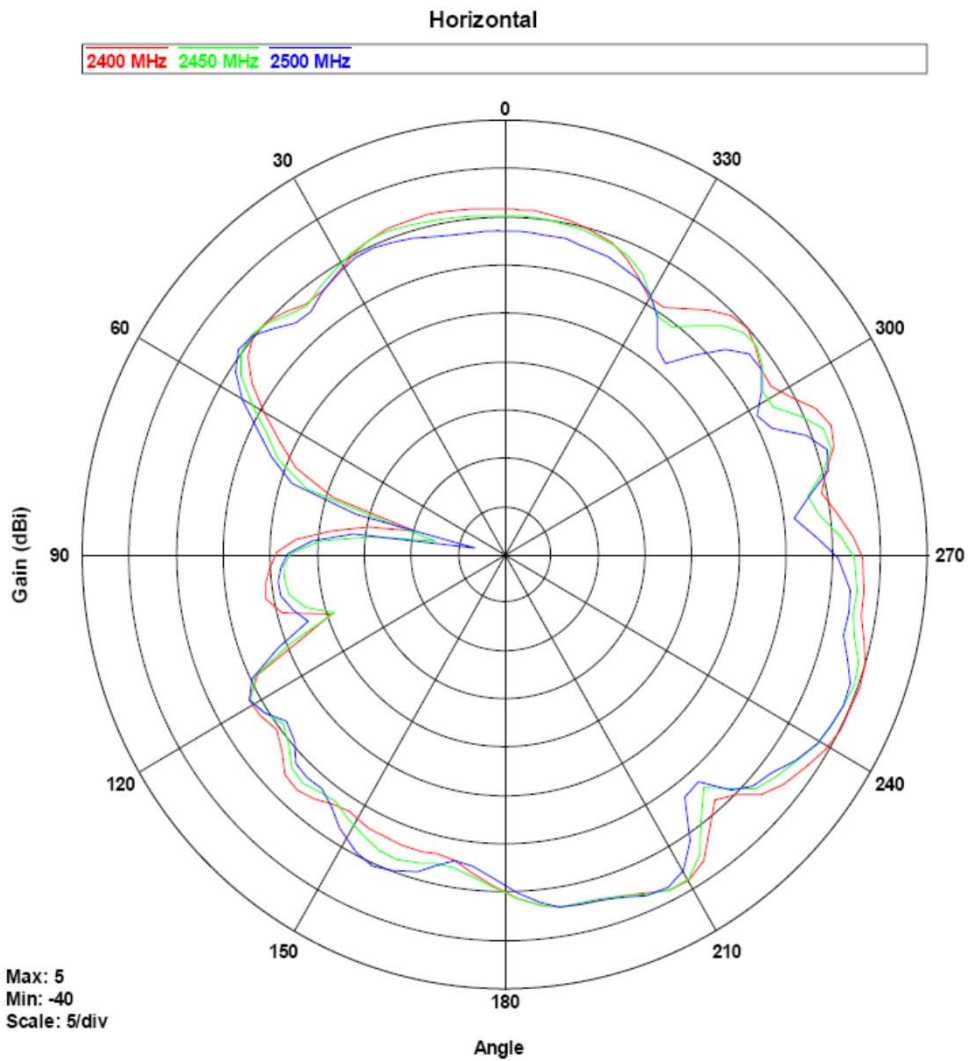
NEUTRON ENGINEERING INC.

No.3,Jinshagang 1st Road, ShiXia, Dalang Town, Dong Guan, China.523792



Neutron Engineering Inc.

Antenna Pattern-Horizontal



NEUTRON ENGINEERING INC.

No.3,Jinshagang 1st Road, ShiXia, Dalang Town, Dong Guan, China.523792