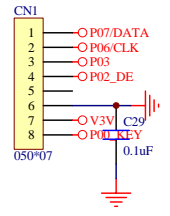
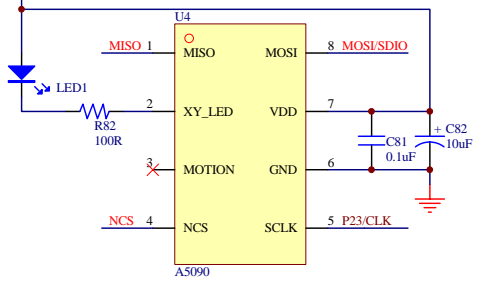
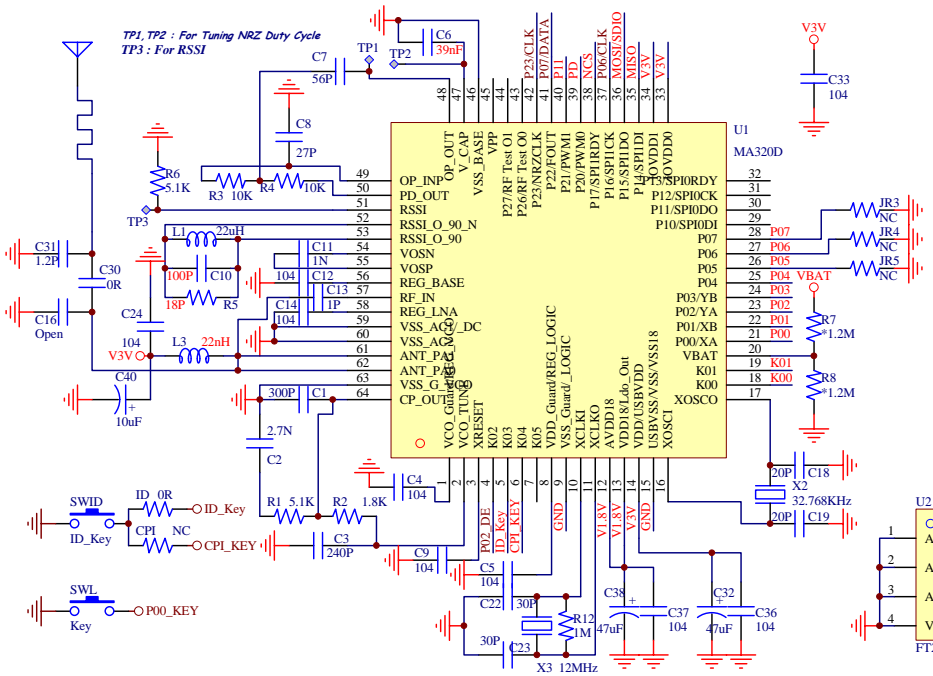
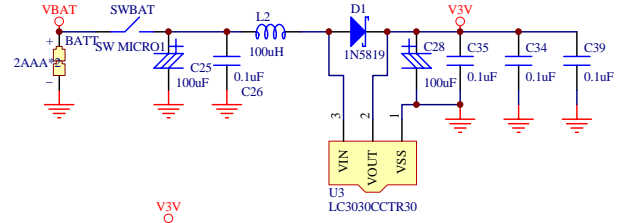
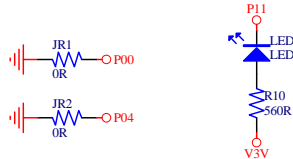


P04	P00	JR1 Open	JR1 Use
JR2 Open		0	180
JR2 Use		-90	+90



Title		
MA320D+MA89P01		
Size	Number	Revision
A4	Sensor=A5090	V1.0
Date:	11-Nov-2010	Sheet of
File:	E:\vuheping\RD\2375\2375.Ddb	Drawn By:

