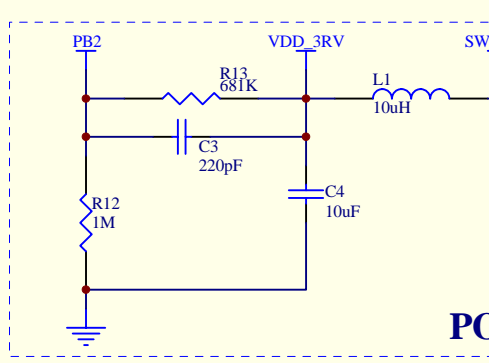
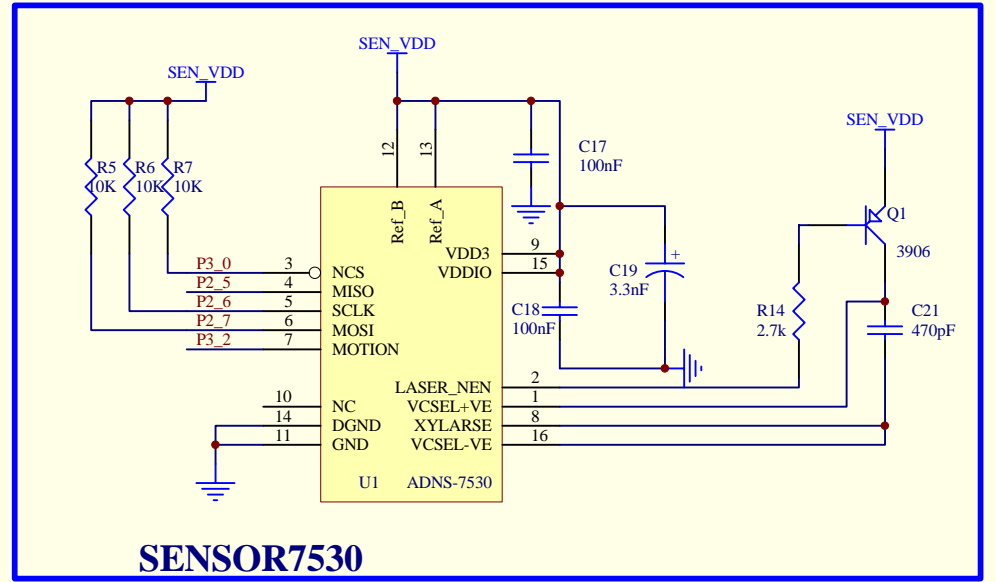


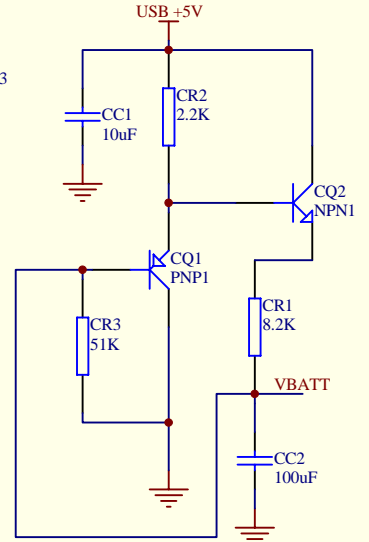
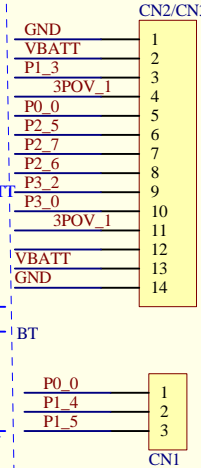
P1_0		RF		RF	
P1_0	1	P1_0	37	RF	37
P4_3	2	GND	36	GND	36
P1_6	3	P1_1	35	P1_1	35
P3_3	4	VDD3RV	34	VDD_3RV	34
GND	5	PB2	33	PB2	33
P1_7	6	P2_0	32	P2_0	32
P3_5	7	P1_4	31	P1_4	31
P2_6	8	P1_2	30	P1_2	30
P2_7	9	P1_3	29	P1_3	29
SCL	10	P3_2	28	P3_2	28
SDA	11	P3_4	27	P3_4	27
VBATT	12	3POV	26	3POV_1	26
P2_5	13	P1_5	25	P1_5	25
UP_RX	14	SW1_LO	24	SW1_LO	24
UP_TX	15	P2_3	23	P2_3	23
P0_7	16	VBATT	22	VBATT	22
P0_6	17	SW2_LO	21	SW2_LO	21
P0_0	18	P3_1	20	P3_1	20
		P3_0	19	P3_0	19



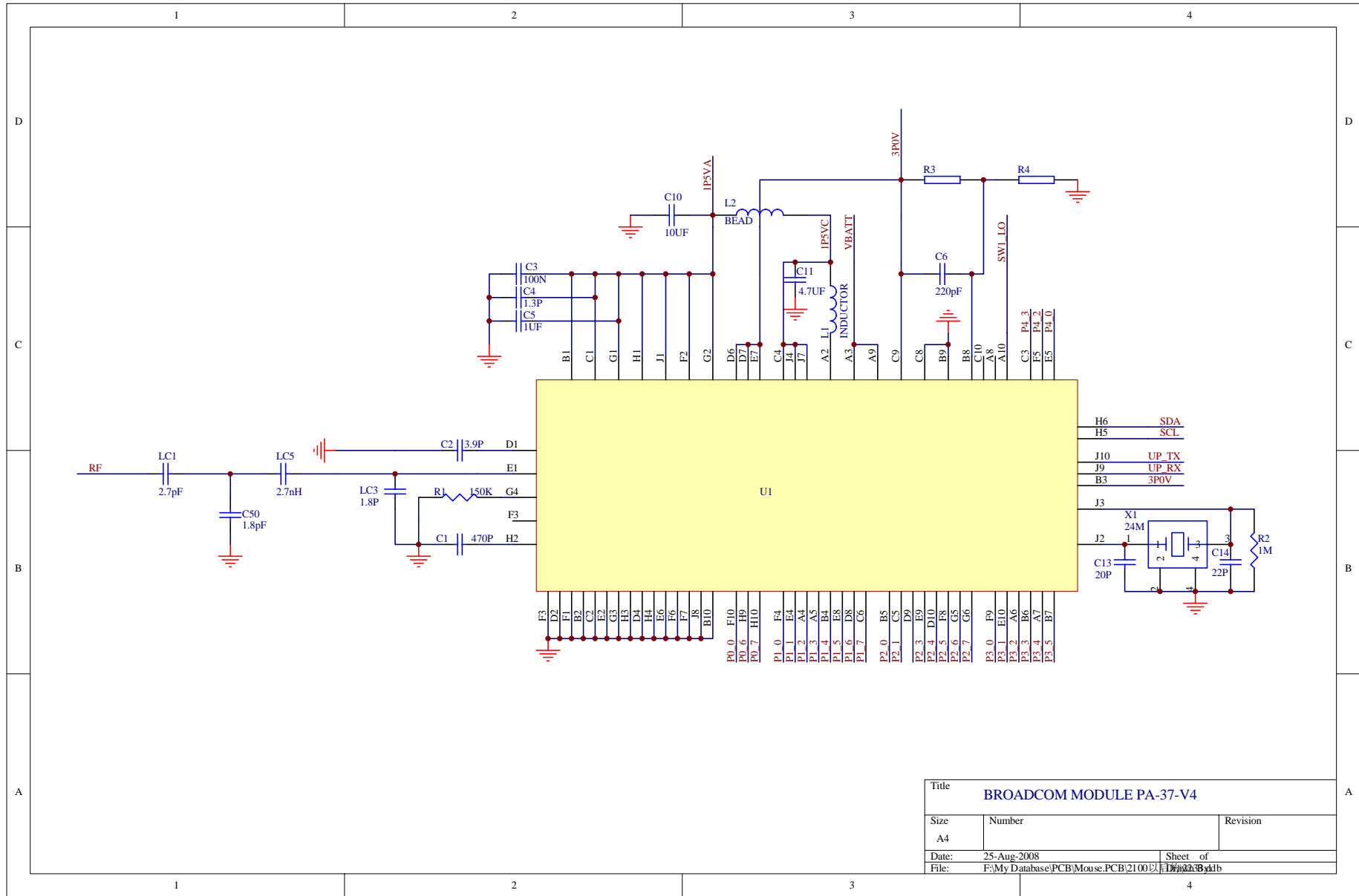
POWER



SENSOR7530



Title			Bluetooth Mouse A7530		
Size	Number		Revision		V1
A4					
Date:	8-May-2009		Sheet of		
File:	F:\My Database\PCB\Mouse.PCB\2100		1 of 2		By:db



Title			BROADCOM MODULE PA-37-V4		
Size	Number	Revision			
A4					
Date:	25-Aug-2008	Sheet of			
File:	F:\My Database\PCB\Mouse.PCB\2100以...	1 of 1			