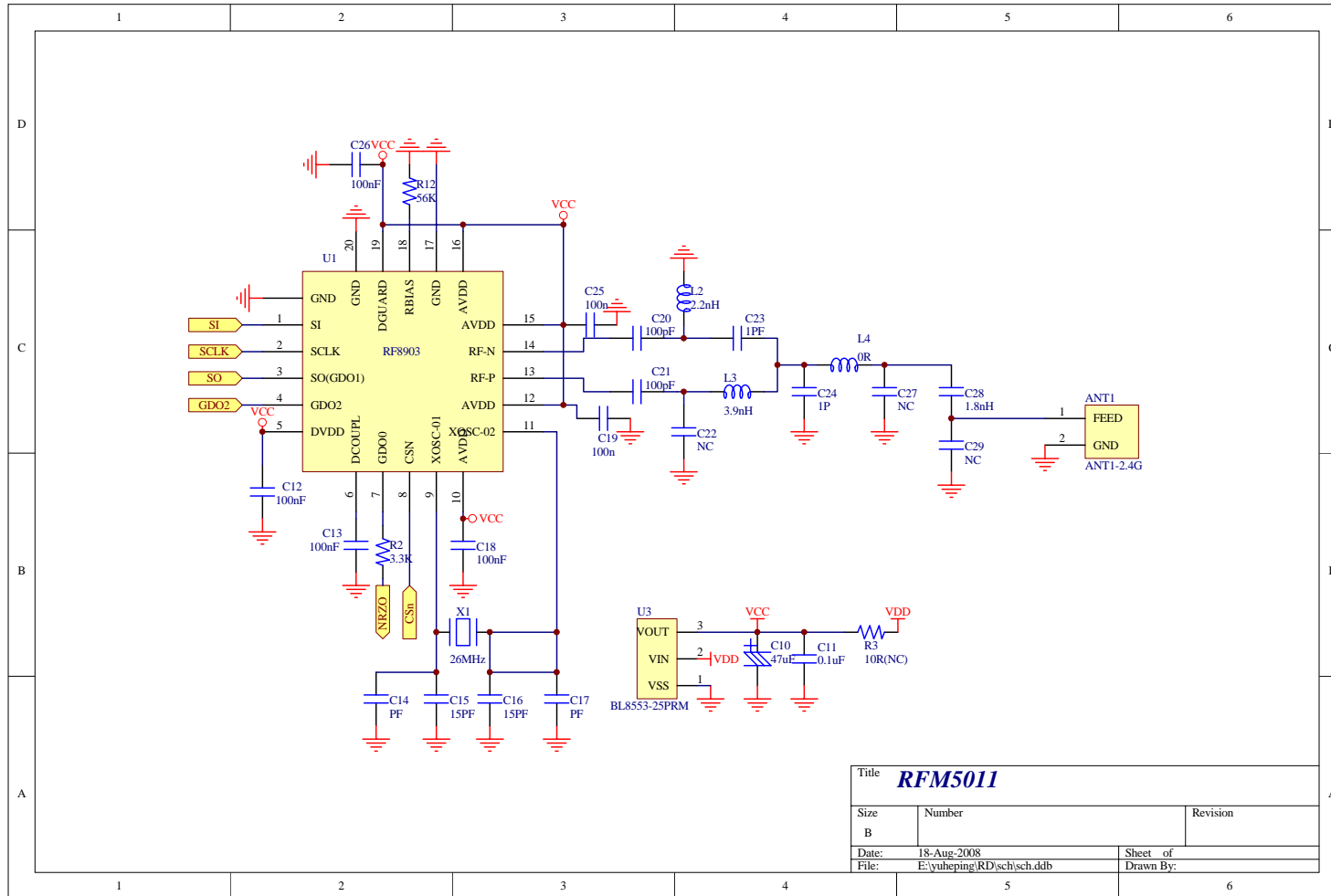


RF Module_RFM5011 SCH



Title RFM5011		
Size B	Number	Revision
Date: 18-Aug-2008	Sheet of	
File: E:\yuheping\RD\sch\sch.ddb	Drawn By:	