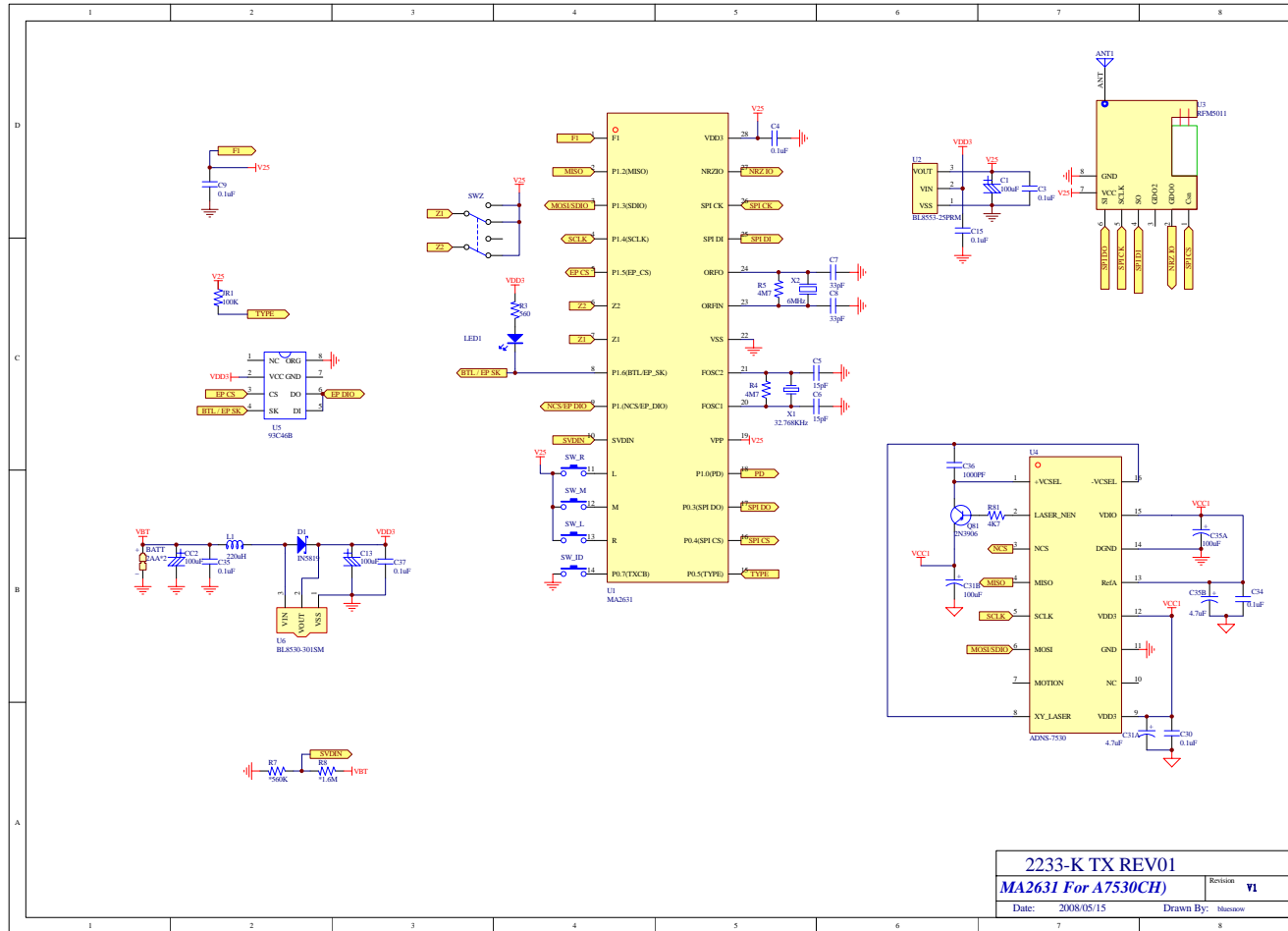


2233-K TX SCH



2233-K TX REV01	
MA2631 For A7530CH	
Date: 2008/05/15	Revision: v1
Drawn By: Mienow	

MODUL RFM5011 SCH

