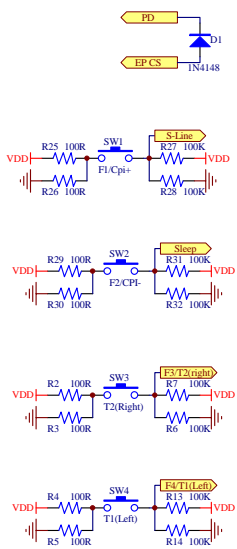
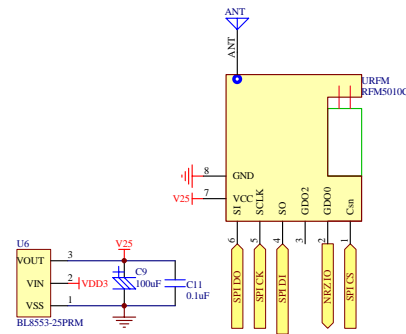
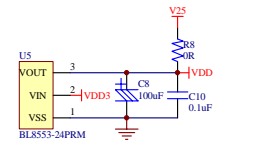
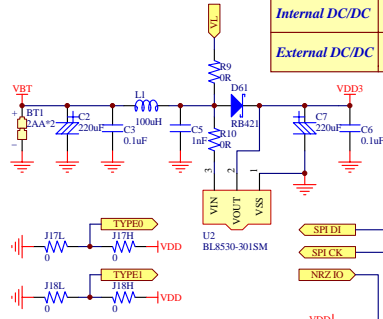


TYPE1 (P0.1)	TYPE0 (P0.0)	J17L(0)	J17H(1)
J18L(0)	J18H(1)	0	+90
J18L(1)	J18H(0)	-90	180

Internal DC/DC
Have R9,R11,R12
No U2,R10

External DC/DC
Have U2,R10,R12
No R9,R11

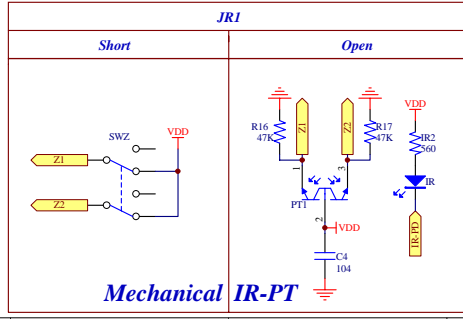
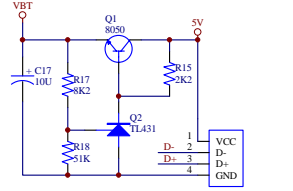
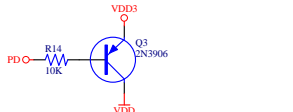
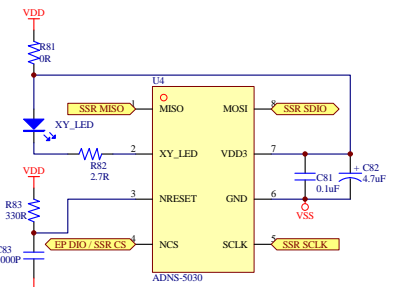
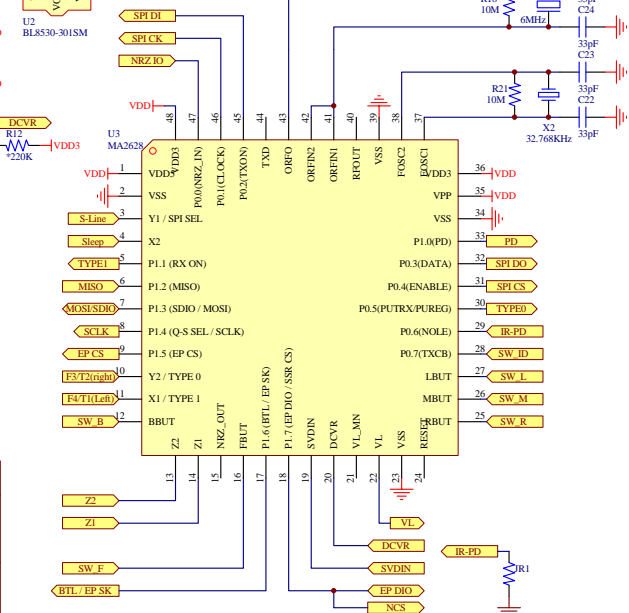
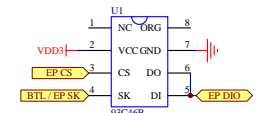
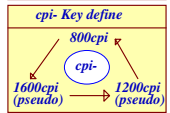
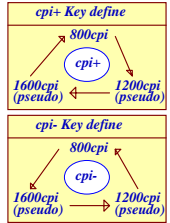


D1	Key Define
Open	CPI+CP1+Tilt(T2+T1) (+) (-)
Short	F1+F2+Tilt(T2+T1)

S_Line		
SPI 2 Line (SDIO/SCLK)	0	R26=Open=R27 R25=Short=R28
SPI 2 Line (MOSI/MISO/SCLK)	1	R25=Open=R28 R26=Short=R27

Sleep		
8 minute	0	R30=Open=R31 R29=Short=R32
3 minute	1	R29=Open=R32 R30=Short=R31

F3/T2(right)	F4/T1(left)	Cpi default
0	0	1000 (Real)
R7=Open=R3 R6=Short=R2	R13=Open=R5 R14=Short=R4	
1	1	800 (Real)
R7=Open=R3 R6=Short=R2	R14=Open=R4 R13=Short=R5	
0	0	400 (Real)
R6=Open=R2 R7=Short=R3	R13=Open=R5 R14=Short=R4	
1	1	600 (Real)
R6=Open=R2 R7=Short=R3	R14=Open=R4 R13=Short=R5	



Title		
MA2628 For ADNS5030		
Size	Number	Revision
A3		V1.0
Date:	28-Mar-2007	Sheet of
File:	E:\uhpnping\RD\21352135.ddb	Drawn By: