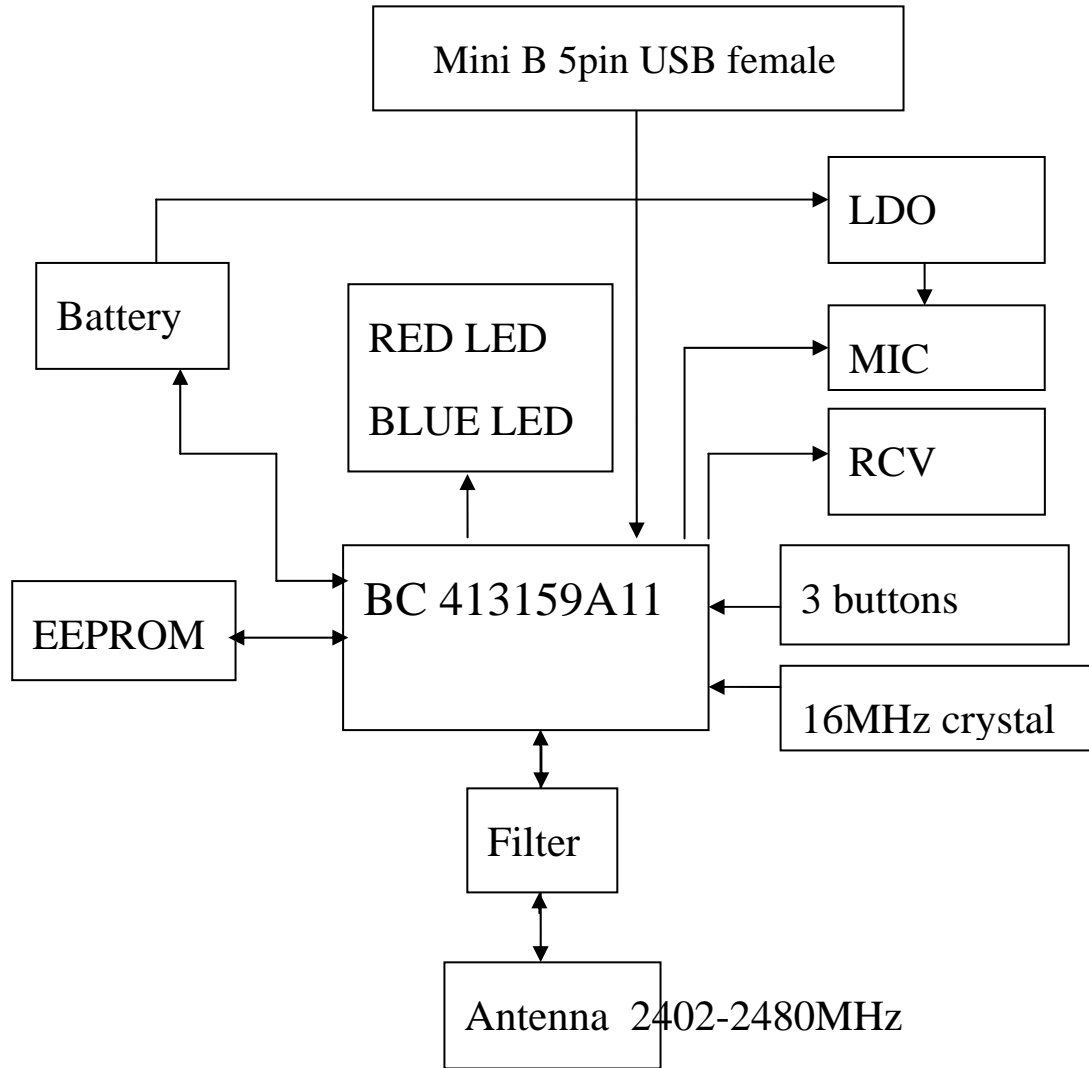


Blade mono headset Block Diagram



Component name	
16MHz crystal	Toyocom TN4-26250 Hosonic E3SB16.0000F09 TXC 7M16000017 SEMCO SQ3D01600M3KCA
Balun filter	LFB212G45BA1A220 DEA202450BT-7077A1 DBF81F106

Bluetooth working frequency band: 2402-2480 MHz