

# Broad Band Ceramic Antenna

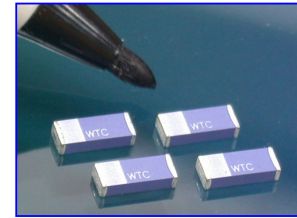
## RFANT5220110A0T Series

LTCC Multi Layer Chip Antenna

– Broad Band Type

For ISM Band 2.4GHz Application

**Patent Pending**



### FEATURES

- Surface Mounted Devices with a small dimension of  $5.2 \times 2.0 \times 1.1 \text{ mm}^3$  meet future miniaturization trend.
- Embedded and LTCC (Low Temperature Co-fired Ceramic) technology is able to future integrate with system design as well as beautifying the housing of final product.
- High Stability in Temperature / Humidity Change

### ELECTRICAL CHARACTERISTICS

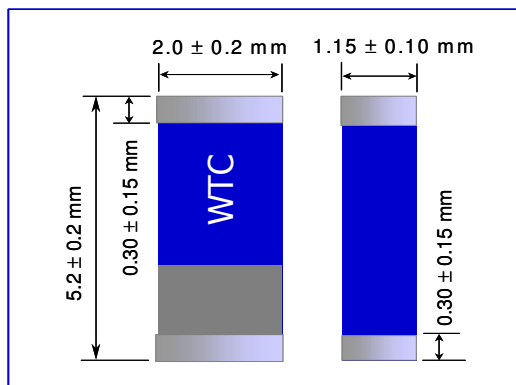
Item	Specification
Central frequency	2.450 GHz (Note-1)
Bandwidth	150MHz (typical)
Gain	0 ~ 2 dBi
VSWR	2 max.
Polarization	Linear
Azimuth Beamwidth	Omni-directional
Impedance	$50\Omega$

\*Note 1. Central Frequency should be defined after customers' application approval.

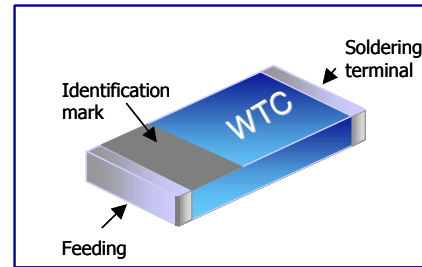
### APPLICATIONS

- Bluetooth
- Wireless LAN
- HormRF
- ISM band 2.4GHz applications.

### DIMENSION

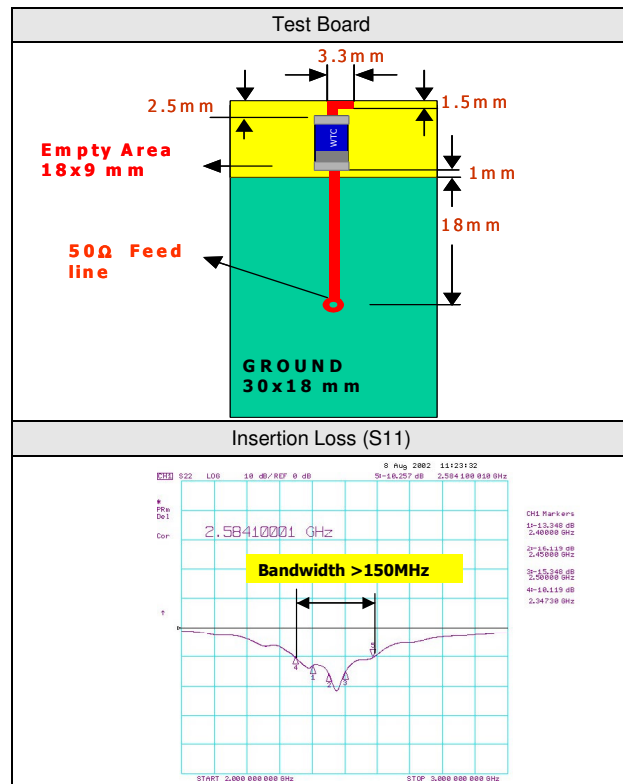


### CONSTRUCTION



Outline of 2.4GHz Chip Antenna

### Test Board



### CONTACT INFORMATION

For more information, please contact with **Walsin Technology Corporation.**

Tel : 886-3-475-8711  
 Fax : 886-3-475-5197  
 E mail : info@passivecomponent.com  
 Web Site : http://www.passivecomponent.com

*Specification subject to change without prior notice.*