

User Manual For WUS-AC08V

Module Integration

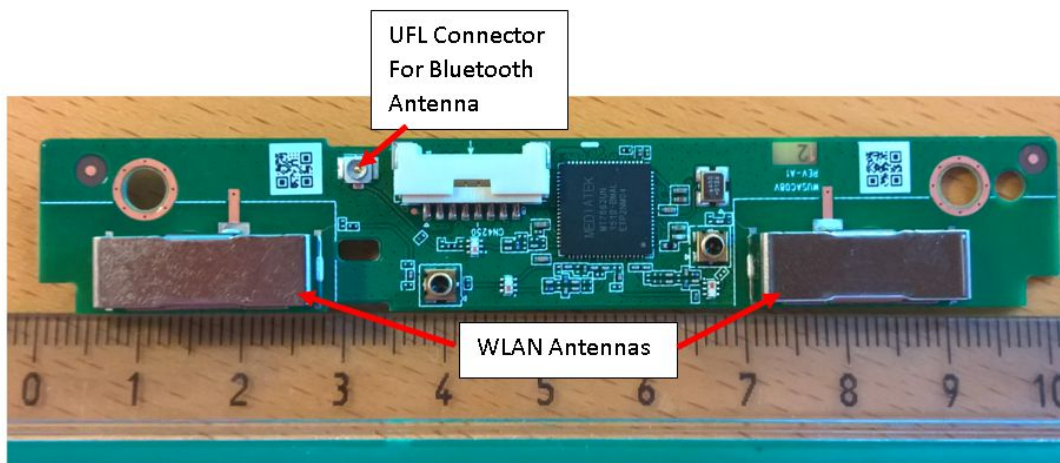
1. Purpose

The purpose of this document is to provide information on how to install the WUS-AC08V module in B&O's range of BeoVision products.

The WUS-AC08V module is only intended for integration into end host products by B&O authorised personnel only. Incorrect integration or use may infringe compliance rules meaning recertification may be required.

2. Module Description

The WUS-AC08V module is an IEEE 802.11a/b/g/n/ac 2x2 MIMO WLAN, Bluetooth and Bluetooth module based on the Mediatek MT7662U chip. The module is designed to be mounted, with two screws, onto the TV chassis. The module is placed behind a plastic cover to make sure the WLAN performance is not compromised. The module only has one interface connector (P1) which contains all the interfaces and power connections. The module also contains two on-board WLAN antennas and one UFL connectors for the external Bluetooth antenna, as shown in the picture below.

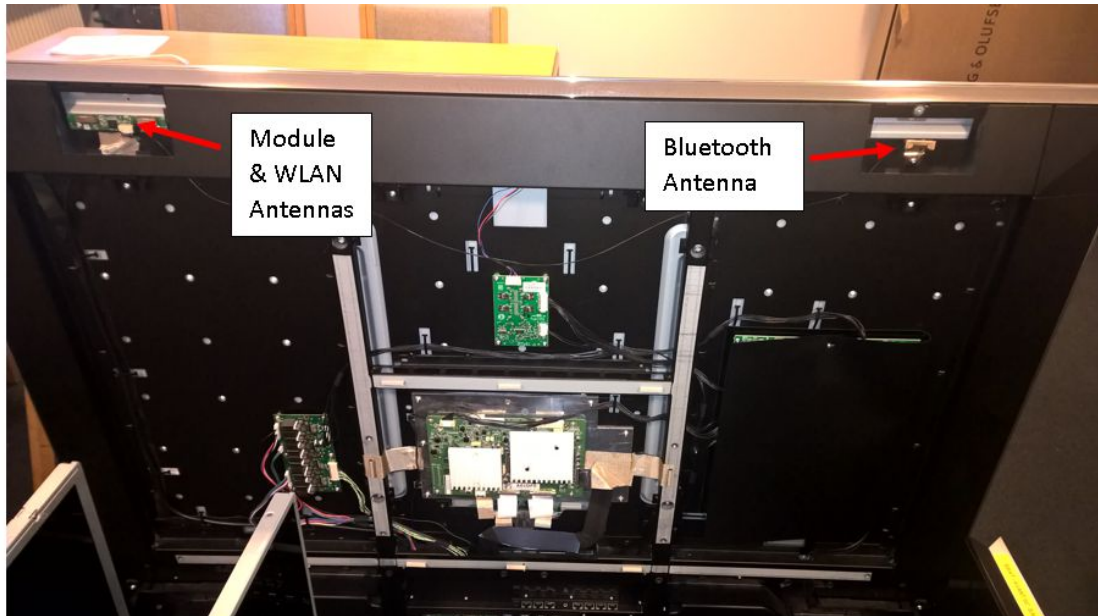


The other two UFL connectors are for testing/debug only.

3. Integration Into B&O Products

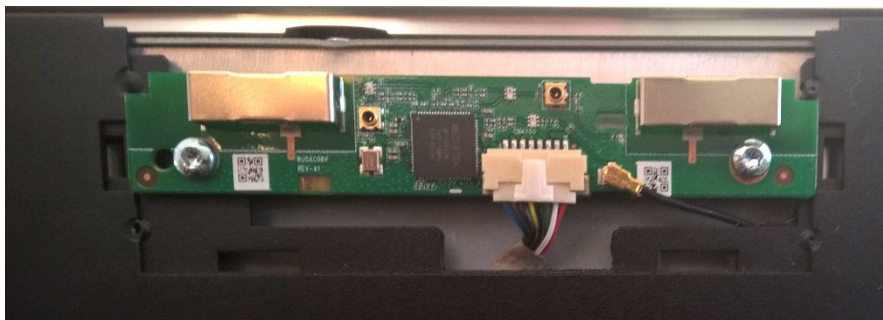
The WUS-AC08V module is designed to be integrated into B&O's range of BeoVision products. The module with WLAN antennas and the Bluetooth antenna will be installed as shown in the following picture

Module & Antenna Placement



These will be the same locations across B&O's range of BeoVision products and a separation distance greater than 20cm will always be maintained between the antennas and any other radio transmitter if installed in the same BeoVision product.

The module is physically attached and held in place by two screws as shown using a single PCB connector to provide data and power:



Bluetooth Antenna:



4. Antenna Information

The following antenna will be used with the WUS-AC08V module and integrated into B&O's range of BeoVision products:

Bluetooth Antenna - Auden P/N: 210145-00 – Peak Gain: 4.2dBi

WiFi Antenna – Auden P/N: 151727-20 – Peak Gain: 2.4GHz 5.4dBi, 5GHz 6.3dBi

5. End Product Labelling

A label is to be fitted to the exterior of all products containing the WUS-AC08V module. The label must contain the words “Contains FCC ID: TTUWUSAC08V” (for FCC) and “Contains IC: 3775B-WUSAC08V” (for ISED).

An example of the BeoVision product label and placement location is as follows:

Label:

<p>BeoVision 14 - 40 LCD Television Bang & Olufsen a/s Type No.: xxxx Item No.: xxxxxxxx Serial No.: xxxxxxxx Acc.: xxxxxxxx 100 - 240V ~ 50/60Hz Power consumption: 185W</p> <div style="border: 1px solid black; height: 20px; width: 100%;"></div> <p>The device complies with Part 15 of the FCC Rules. Operation is subject to the condition that this device does not cause harmful interference.</p> <p>Designed by Bang & Olufsen® in Denmark. Made in Czech</p>	<p>DOLBY DIGITAL PLUS Manufactured under license from Dolby Laboratories. Dolby and the double-D symbol are trademarks of Dolby Laboratories.</p> <p>dts Digital Surround For DTS patents, see http://patents.dts.com.</p>	<p>CE</p> <p>UL Energy Verified</p> <p>SP LR58993 C US</p>
	<p>Contains FCC ID: TTUWUSAC08V Contains FCC ID: UA9800 Contains IC: 3775B-WUSAC08V Contains IC: 9129A-800 CAN ICES-3 (B) / NMB-3 (B)</p>	<p>CAUTION RISK OF ELECTRIC SHOCK DO NOT OPEN</p> <p>ATTENTION: Risque de choc electrique - ne pas ouvrir</p>

Placement Location:



6. FCC Compliance

This device complies with Part 15 of FCC rules. Operation is subject to the following two conditions:

- (1) This device may not cause harmful interference; and
- (2) This device must accept any interference received, including interference that may cause undesired operation

FCC Caution: Any changes or modification not expressly approved by the party responsible for compliance could void the user's authority to operate.

This equipment complies with FCC radiation exposure limits set forth for an uncontrolled environment.

This device is installed to be operated with a minimum 20cm distance between the antenna and the user.

7. ISED Compliance

English

This device complies with ISED's licence-exempt RSS standard(s). Operation is subject to the following two conditions:

- (1) This device may not cause interference; and
- (2) This device must accept any interference, including interference that may cause undesired operation of the device

This radio transmitter (IC: 3775B-WUSAC08V) has been approved by ISED Canada to operate with the antenna types listed above in section 4 with the maximum permissible gain indicated. Antenna types not included in this list, having a gain greater than the maximum gain indicated for that type, are strictly prohibited for use with this device.

The operation of the device in the band 5150–5250 MHz is only for indoor use to reduce the potential for harmful interference to co-channel mobile satellite systems.

This equipment complies with ISED RSS 102 radiation exposure limits set forth for an uncontrolled environment. This equipment is installed to be operated with a minimum 20cm distance between the antenna and the user.

Please note that high-power radars are allocated as primary users (i.e. priority users) of the bands 5250- 5350 MHz and 5650-5850 MHz and these radars can cause interference and/or damage to LE-LAN (License Exempt Local Area Network) devices.

French

Cet appareil est conforme au(x) standard(s) RSS exempts de licence d'Industrie Canada. Son exploitation est soumise aux deux conditions suivantes :

- (1) cet appareil ne doit pas occasionner d'interférence et (2) cet appareil doit supporter toutes les interférences, y compris celles qui pourraient provoquer un mauvais fonctionnement de cet appareil.

Cet émetteur radio (IC: 3775B-WUSAC08V) a été approuvé par Industrie Canada pour fonctionner avec les types d'antenne énumérés ci-dessus (section 4) avec le gain d'antenne maximal autorisé indiqué. Les types d'antennes non inclus dans cette liste ayant un gain supérieur au gain maximal indiqué pour ce type sont strictement interdits pour une utilisation avec cet appareil.

L'utilisation de l'appareil dans la bande de fréquences 5150-5250 MHz est uniquement valable en intérieur pour réduire le risque de brouillage nuisible au fonctionnement des systèmes mobiles par satellite partageant les mêmes canaux.

Cet appareil est conforme aux limitations de la norme IC RSS-102 concernant l'exposition aux radiations dans un environnement non contrôlé. Cet appareil doit être installé et utilisé avec une distance minimale de 20 cm entre l'antenne et le corps de l'utilisateur.

Veillez noter que les radars haute puissance sont définis comme utilisateurs principaux (i.e. utilisateurs prioritaires) des bandes 5250- 5350 MHz et 5650-5850 MHz, et que ces radars peuvent causer des interférences et/ou endommager les appareils LE-LAN (réseau local exempt de licence).