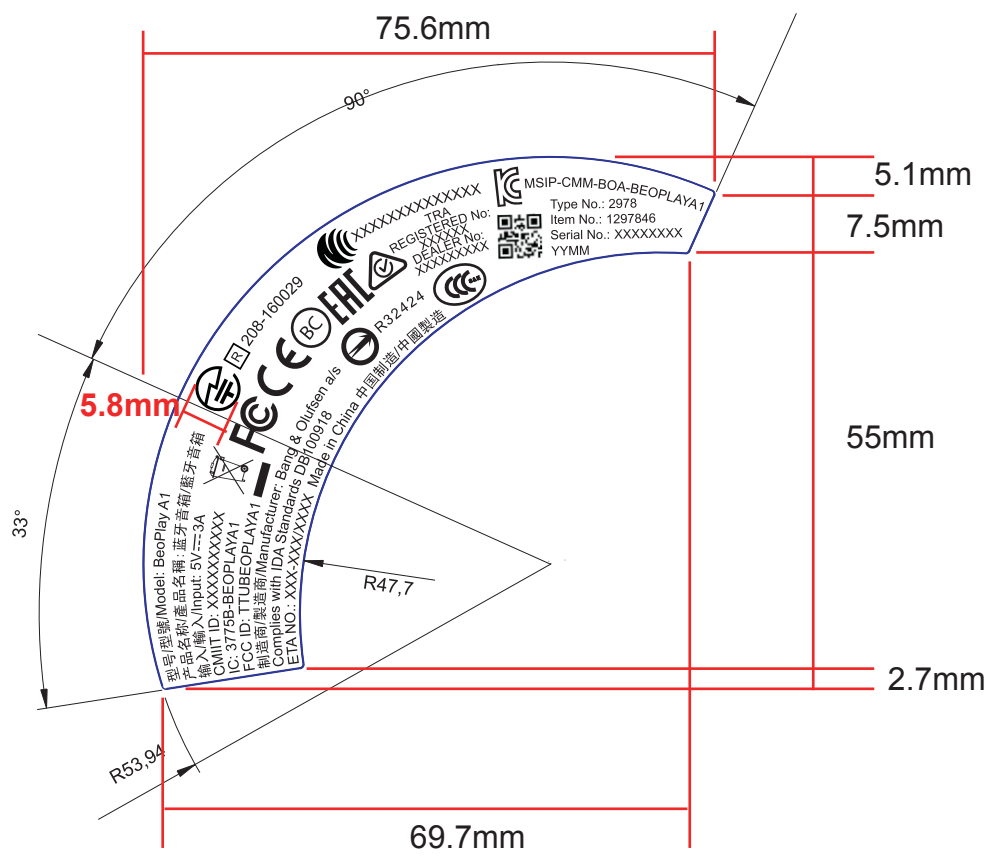


REV.	Description	By	Date	ECN No.
△	初版发行	Suki.Deng	2016/3/9	
△				



Type No.: 2978 -----按差异表打印
Item No.: 1297846 -----按差异表打印
Serial No.: XXXXXXXX -----序列按客人提供的打印
YYMM -----生产日期: 年+月

差异表			
SAP PN	Color	Type	Item
T02-283010501	Natural	2978	1297846
T02-283020501	Dusty Rose		1297848
T02-283030501	Moss Green		1297862

- Note:
- Parts shall be approved by Tymphany Engineering prior to mass production. 所有零部件都需超声工程师确定后方可生产。
 - indicates design-critical dimension, and ◆ indicates customer-controlled dimension. Supplier must establish quality control plan for these dimensions. Customer-controlled dimension cannot be changed without prior customer approval. 有■标识的尺寸为重要管控尺寸(IQC必检), 有◆标识的尺寸为客户重要管控尺寸(IQC必检)。
 - Comply with Tymphany QSI057-1031 "Green Product Chemical Substances Specification". 符合QSI057-1031绿色产品化学物质限用规格;
 - Follow customer's specification as required. 符合客户要求。
 - Follow Halogen- Free requirement : Br<900 ppm, Cl<900 ppm, Br+Cl< 1500 ppm if required. 有要求时需符合无卤要求 : Br<900 ppm, Cl<900 ppm, Br+Cl< 1500 ppm 。
 - All dimensions and tolerances indicated on the drawing indicate delivered part dimensions; All dimensions not indicated on the drawing are per 3D model. 来料部件或产品的尺寸及公差需符合图纸标识, 未标识的尺寸请参照3D
 - Material(材质): 铜版纸FASSON-AW5209 ARTPAPER FASSON-AW5209 Weight(重量): 1±5%g
 - Finishing(表面处理): 白底黑字, 过哑膜 BLACK PRINTING + MATT COATING

外购标签料号: T304001944000
T91170002775A、T91170002776A、T91170002777A配套使用

TYMPHANY		This drawing is the property of Tymphany corporation. It contains material that is confidential and/or legally privileged for the sole use of the intended recipient. Any review or distribution by others is strictly prohibited and punishable to the full extent of the law.				Tolerance				Cus. Model No.	
						Angular ±0.25°				CA18	
						Dimension				Tymphony Model No.	
Quotation	Version NO.: 1	Scale : 1:1	Unit : MM		0-8	±0.05	±0.1	±0.1	±0.2	T02-283010501	
	Sheet : 1/1	Size : A4			>8-25	±0.08	±0.15	±0.15	±0.3	Part No.	
Sample	Drawn By	Checked By	Approved By		>25-80	±0.12	±0.2	±0.25	±0.4	T911700027750	
Tooling	Suki.Deng				>80-250	±0.25	±0.3	±0.4	±0.6	DWG No.	
					>250-800	±0.5	±0.6	±0.8	±1.0	T911700027750	
Official Issue					>800-2500	±1.0	±1.0	±1.5	±1.7	Part Name.	
					>2500-	±2.0	±2.0	±3.0	±3.0	Product Label	