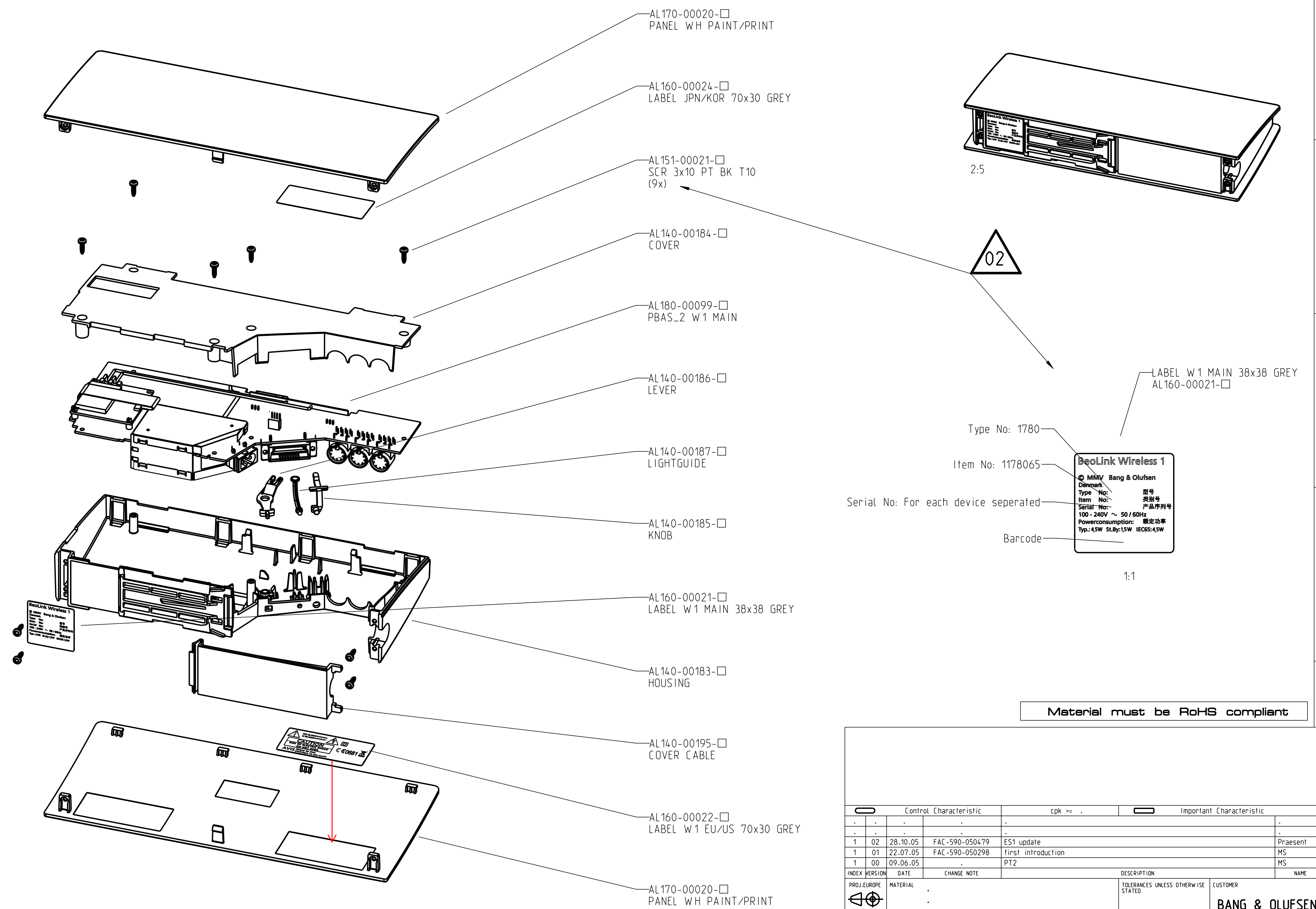


ALL RIGHTS RESERVED. REPRODUCTION OR USE IN ANY MANNER WITHOUT WRITTEN AUTHORITY FROM THE PROPRIETORS.

**FLEXTRONICS**  
Design



AL170-00020-□  
PANEL WH PAINT/PRINT

AL160-00024-□  
LABEL JPN/KOR 70x30 GREY

AL151-00021-□  
SCR 3x10 PT BK T10  
(9x)

AL140-00184-□  
COVER

AL180-00099-□  
PBAS\_2 W1 MAIN

AL140-00186-□  
LEVER

AL140-00187-□  
LIGHTGUIDE

AL140-00185-□  
KNOB

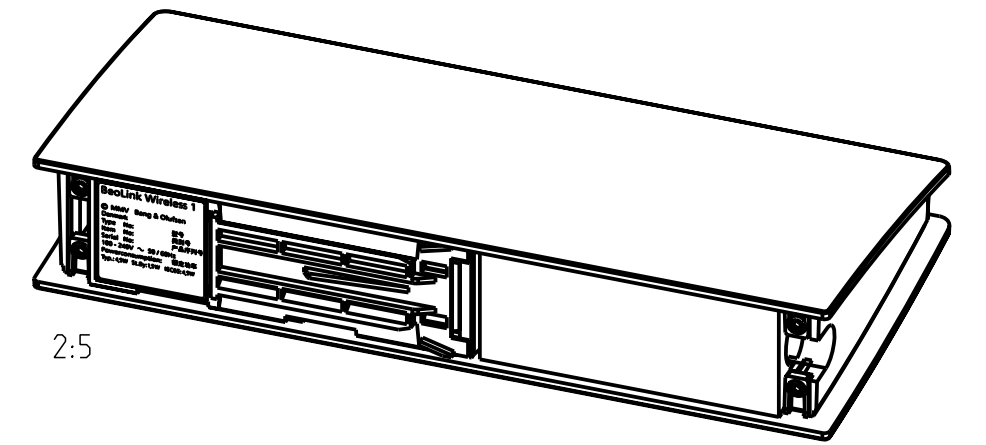
AL160-00021-□  
LABEL W1 MAIN 38x38 GREY

AL140-00183-□  
HOUSING

AL140-00195-□  
COVER CABLE

AL160-00022-□  
LABEL W1 EU/US 70x30 GREY

AL170-00020-□  
PANEL WH PAINT/PRINT



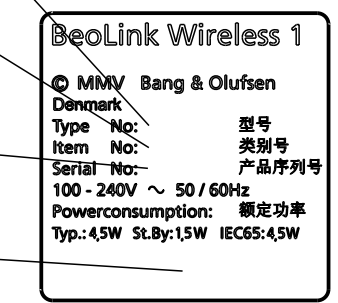
LABEL W1 MAIN 38x38 GREY  
AL160-00021-□

Type No: 1780

Item No: 1178065

Serial No: For each device seperated

Barcode



1:1

Material must be RoHS compliant

Control Characteristic		cpk >= .		Important Characteristic	
.	.	.	.	.	.
1	02	28.10.05	FAC-590-050479	ES1 update	Praesent
1	01	22.07.05	FAC-590-050298	first introduction	MS
1	00	09.06.05	.	PT2	MS
INDEX	VERSION	DATE	CHANGE NOTE	DESCRIPTION	NAME
PROJ.	EUROPE	MATERIAL	.	TOLERANCES UNLESS OTHERWISE STATED	CUSTOMER
UNIT	MM	TREATMENT	.		<b>BANG &amp; OLUFSEN</b>
SCALE	1:2	DESCRIP.	<b>TECH.SET BEOLINK W1 WHITE</b>	CODE	VERSION
		NAME	Praesent / Strutzmann	AL190-00027-1	02
		DATE	04.05.05	STAGE	SHEET 110
PROPERTY OF	<b>FLEXTRONICS</b>		Friesacher Str. 3 A 9330 Althofen, Austria	3	22.07.05
				SH 1 OF 1	FORMAT <b>A2</b>