

User manual

1. General Description

Tire pressure sensor is composed of RF chip, battery, antenna and Rf matching network. It is applied to monitor tire pressure, temperature and acceleration and the tire data is transmitted via center frequency 433.92MHz and 315MHz, 315MHz and 433.92MHz alternate launch, the launch interval of 10ms.

2. Operation Functions

Transmitter ID Programming: transmitter ID can be programmed for easy replacement

Alarm Record Inquiry: automatically record the 10 alarm records

Standard Pressure Programming: standard pressure for each tire can be programmed on monitor

3. Product Features

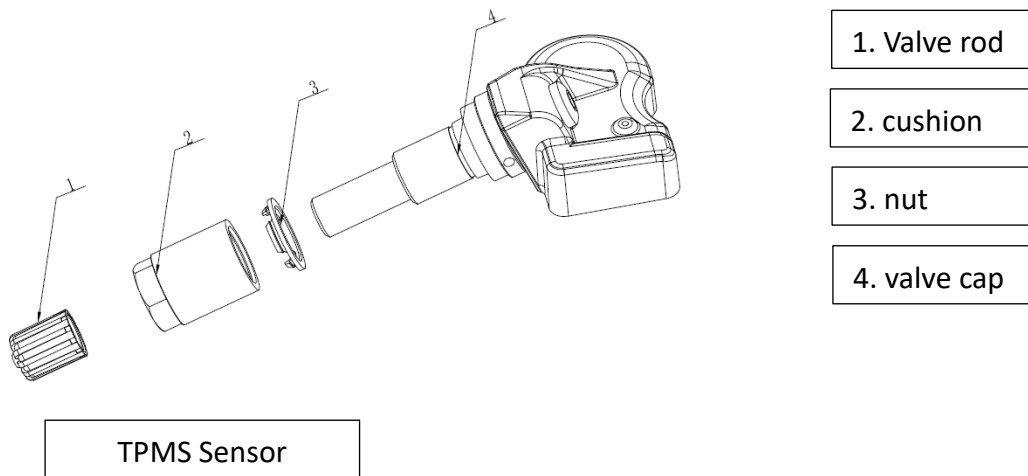
Powerful functions including low pressure alarms in 3 levels, fast leak alarm and standard pressure setting etc.

Monitor connects to continuous power to ensure full-time monitoring

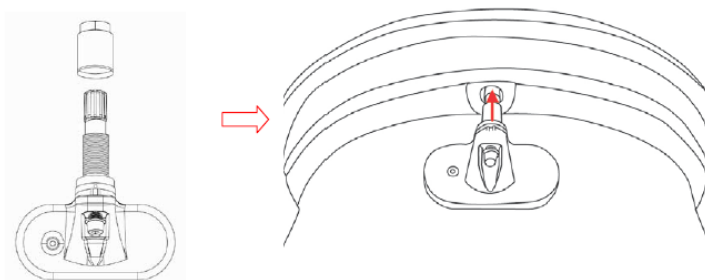
Design of the whole system matches the truck perfectly

Simple operation for function programming and inquiry

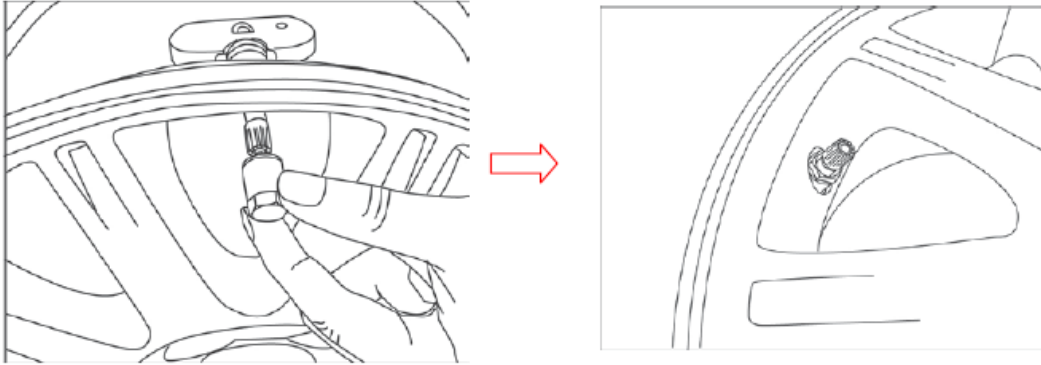
4. Installing structure



5. Installation requirements



- User manual



moment: $3.8\text{N.m} (\pm 0.3\text{N})$



Tires must do dynamic balance testing and adjusting.

User manual

Federal Communications Commission (FCC) Interference Statement

This equipment has been tested and found to comply with the limits for a Class B digital device, pursuant to Part 15 of the FCC Rules.

These limits are designed to provide reasonable protection against harmful interference in a residential installation. This equipment generate, uses and can radiate radio frequency energy and, if not installed and used in accordance with the instructions, may cause harmful interference to radio communications.

However, there is no guarantee that interference will not occur in a particular installation. If this equipment does cause harmful interference to radio or television reception, which can be determined by turning the equipment off and on, the user is encouraged to try to correct the interference by one of the following measures:

- Reorient or relocate the receiving antenna.
- Increase the separation between the equipment and receiver.
- Connect the equipment into an outlet on a circuit different from that to which the receiver is connected.
- Consult the dealer or an experienced radio / TV technician for help.

This device complies with Part 15 of the FCC Rules. Operation is subject to the following two conditions:

(1) This device may not cause harmful interference, and (2) this device must accept any interference received, including interference that may cause undesired operation.

FCC Caution: Any changes or modifications not expressly approved by the party responsible for compliance could void the user's authority to operate this equipment.

RF exposure warning

This equipment complies with FCC radiation exposure limits set forth for an uncontrolled environment.

The equipment must not be co-located or operating in conjunction with any other antenna or transmitter.

User manual

Canadian Compliance Statement

This device complies with Industry Canada license-exempt RSSs. Operation is subject to the following two conditions:

- (1) This device may not cause harmful interference, and
- (2) This device must accept any interference, including interference that may cause undesired operation of the device

Le présent appareil est conforme aux CNR d'Industrie Canada applicable aux appareils radio exempts de licence. L'exploitation est autorisée aux deux conditions suivantes:

1. l'appareil ne doit pas produire de brouillage;
2. l'utilisateur de l'appareil doit accepter tout brouillage radioélectrique subi, même si le brouillage est susceptible d'en compromettre le fonctionnement.

IMPORTANT NOTE:

Radiation Exposure Statement:

This equipment complies with IC radiation exposure limits set forth for an uncontrolled environment.

Déclaration d'exposition aux radiations:

Cet équipement est conforme aux limites d'exposition aux rayonnements IC établies pour un environnement non contrôlé.