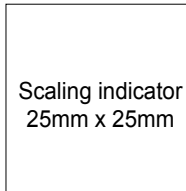


# Marking Drawing

Rev. Date: 2005-11-14	Rev. 4.0	Document No. 105040
Prepared by: Harald Rygge	Subj. Resp.: Agnar Kopperud	Approved by: Ole-Christian Sørli
<b>BGAN Class 3 - Modem Unit</b> <b>Label for s/n printing</b>		

Document Size = A4

Scale : See scaling indicator



Printinting colours (as shown in figure):

- Black = Pantone Process Black
- Light grey = Pantone Cool Grey 4 C
- Dark grey = Pantone Cool Grey 11 C

Label base colour = White

Fonts used = Vectora LH (outlines created - font independent)  
= Norma (outlines created - font independent)

Label corners = Radius 1 mm

Observe !

The actual barcodes are to be printed during assembly process of antenna unit itself.  
No preprinting of barcodes / subnumbers. The bar code symbology is Code 128-B.

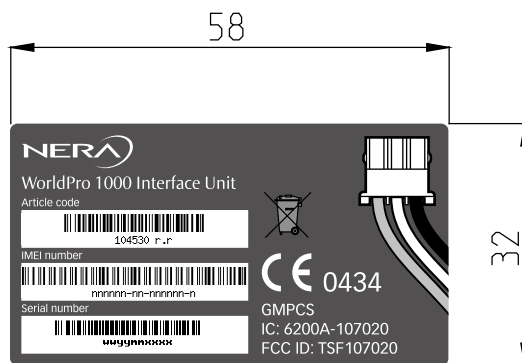
Bar code field information:

- Article code = 104530
- r.r = Revision from PDM system
- n... = IMEI number
- ww = Manufacturer ID
- yymm = Actual year and month
- xxxx = Consecutive (serial no.) numbers incremented from 0001, starting at 0001 each new month.

Observe !

The complete serial number should be printed in a continuous sequence without notes of conjunction, or spaces. (wwyymmxxxx)

Preprinted label layout / graphic:



Example showing label after printing of bar codes:

