

**LTE band 71 (15 MHz - QPSK)**

Frequency (MHz)	Measured Level (dB $\mu$ V)	Ant. Pol.	AF (dB/m)	AMP+CL (dB)	E (dB $\mu$ V/m)	CF (dB)	E.R.P. (dB m)	Limit (dB m)	Margin (dB)
Low Channel (670.5 MHz)									
1 327.60	59.63	H	25.10	-39.27	45.46	-97.41	-51.95	-13	38.95
1 327.60	63.06	V	25.10	-39.27	48.89	-97.41	<b>-48.52</b>	-13	35.52
1 991.35	51.83	H	27.67	-37.68	41.82	-97.41	-55.59	-13	42.59
Above 2 000.00	Not detected	-	-	-	-	-	-	-	-
Middle Channel (680.5 MHz)									
1 347.40	59.68	H	25.10	-39.37	45.41	-97.41	-52.00	-13	39.00
1 347.85	61.98	V	25.10	-39.37	47.71	-97.41	-49.70	-13	36.70
2 695.15	51.64	H	28.61	-36.91	43.34	-97.41	-54.07	-13	41.07
Above 2 700.00	Not detected	-	-	-	-	-	-	-	-
High Channel (690.5 MHz)									
1 367.20	60.28	H	25.10	-39.24	46.14	-97.41	-51.27	-13	38.27
1 367.65	59.47	V	25.10	-39.24	45.33	-97.41	-52.08	-13	39.08
2 734.75	53.02	H	28.67	-36.87	44.82	-97.41	-52.59	-13	39.59
2 735.20	51.80	V	28.67	-36.87	43.60	-97.41	-53.81	-13	40.81
Above 2 800.00	Not detected	-	-	-	-	-	-	-	-

**- Antenna 2**

**LTE band 7 (20 MHz - QPSK)**

Frequency (MHz)	Measured Level (dB $\mu$ V)	Ant. Pol.	AF (dB/m)	AMP+CL (dB)	E (dB $\mu$ V/m)	CF (dB)	E.I.R.P. (dB m)	Limit (dB m)	Margin (dB)
Low Channel (2 510.0 MHz)									
7 503.35	56.77	H	35.90	-32.96	59.71	-95.26	-35.55	-25	10.55
7 503.35	55.31	V	35.90	-32.96	58.25	-95.26	-37.01	-25	12.01
10 004.90	52.15	H	37.80	-31.89	58.06	-95.26	-37.20	-25	12.20
10 004.05	45.94	V	37.80	-31.91	51.83	-95.26	-43.43	-25	18.43
12 505.60	43.28	V	38.50	-28.53	53.25	-95.26	-42.01	-25	17.01
Above 12 600.00	Not detected	-	-	-	-	-	-	-	-
Middle Channel (2 535.0 MHz)									
5 051.95	48.12	H	33.01	-35.17	45.96	-95.26	-49.30	-25	24.30
7 578.15	60.68	H	35.90	-32.64	63.94	-95.26	<b>-31.32</b>	-25	6.32
7 578.15	57.46	V	35.90	-32.64	60.72	-95.26	-34.54	-25	9.54
10 105.20	45.59	H	37.81	-31.56	51.84	-95.26	-43.42	-25	18.42
10 104.35	45.28	V	37.81	-31.56	51.53	-95.26	-43.73	-25	18.73
12 630.55	45.64	H	38.56	-29.42	54.78	-95.26	-40.48	-25	15.48
12 630.55	44.40	V	38.56	-29.42	53.54	-95.26	-41.72	-25	16.72
Above 12 700.00	Not detected	-	-	-	-	-	-	-	-
High Channel (2 560.0 MHz)									
5 102.10	49.34	H	33.20	-35.42	47.12	-95.26	-48.14	-25	23.14
7 652.95	51.38	H	35.91	-32.40	54.89	-95.26	-40.37	-25	15.37
7 652.95	48.52	V	35.91	-32.40	52.03	-95.26	-43.23	-25	18.23
10 204.65	45.95	H	37.89	-31.55	52.29	-95.26	-42.97	-25	17.97
10 204.65	44.70	V	37.89	-31.55	51.04	-95.26	-44.22	-25	19.22
Above 10 300.00	Not detected	-	-	-	-	-	-	-	-

**LTE band 12 (5 MHz - QPSK)**

Frequency (MHz)	Measured Level (dB $\mu$ V)	Ant. Pol.	AF (dB/m)	AMP+CL (dB)	E (dB $\mu$ V/m)	CF (dB)	E.R.P. (dB m)	Limit (dB m)	Margin (dB)
Low Channel (701.5 MHz)									
1 398.70	63.02	H	25.10	-39.15	48.97	-97.41	-48.44	-13	35.44
1 398.25	62.13	V	25.10	-39.15	48.08	-97.41	-49.33	-13	36.33
2 098.00	53.15	H	27.50	-37.35	43.30	-97.41	-54.11	-13	41.11
2 098.00	53.41	V	27.50	-37.35	43.56	-97.41	-53.85	-13	40.85
2 797.30	53.57	H	28.89	-36.77	45.69	-97.41	-51.72	-13	38.72
2 797.30	53.02	V	28.89	-36.77	45.14	-97.41	-52.27	-13	39.27
3 496.60	56.23	H	31.10	-36.68	50.65	-97.41	<b>-46.76</b>	-13	33.76
3 697.05	51.30	V	32.07	-36.60	46.77	-97.41	-50.64	-13	37.64
Above 3 700.00	Not detected	-	-	-	-	-	-	-	-
Middle Channel (707.5 MHz)									
1 410.40	56.95	H	25.08	-39.15	42.88	-97.41	-54.53	-13	41.53
1 410.40	55.90	V	25.08	-39.15	41.83	-97.41	-55.58	-13	42.58
2 821.60	49.00	V	29.07	-36.76	41.31	-97.41	-56.10	-13	43.10
3 526.75	52.00	H	31.05	-36.84	46.21	-97.41	-51.20	-13	38.20
3 526.30	52.30	V	31.05	-36.84	46.51	-97.41	-50.90	-13	37.90
Above 3 600.00	Not detected	-	-	-	-	-	-	-	-
High Channel (713.5 MHz)									
1 422.55	57.95	H	25.05	-39.14	43.86	-97.41	-53.55	-13	40.55
1 422.55	54.33	V	25.05	-39.14	40.24	-97.41	-57.17	-13	44.17
2 845.45	52.24	H	29.26	-36.74	44.76	-97.41	-52.65	-13	39.65
2 845.45	50.35	V	29.26	-36.74	42.87	-97.41	-54.54	-13	41.54
3 556.90	51.53	H	31.04	-36.98	45.59	-97.41	-51.82	-13	38.82
3 653.65	48.56	V	31.64	-36.88	43.32	-97.41	-54.09	-13	41.09
Above 3 700.00	Not detected	-	-	-	-	-	-	-	-

**LTE band 13 (5 MHz - QPSK)**

Frequency (MHz)	Measured Level (dB $\mu$ V)	Ant. Pol.	AF (dB/m)	AMP+CL (dB)	E (dB $\mu$ V/m)	CF (dB)	E.R.P. / E.I.R.P. (dB m)	Limit (dB m)	Margin (dB)
Low Channel (779.5 MHz)									
1 554.40	60.23	H	25.32	-38.80	46.75	-95.26	<b>-48.51</b>	-40	8.51
1 554.40	57.09	V	25.32	-38.80	43.61	-95.26	-51.65	-40	11.65
2 332.00	51.57	H	27.80	-36.45	42.92	-97.41	-54.49	-13	41.49
2 332.00	50.27	V	27.80	-36.45	41.62	-97.41	-55.79	-13	42.79
3 109.15	51.76	H	30.02	-36.65	45.13	-97.41	-52.28	-13	39.28
3 886.75	48.81	V	32.17	-36.07	44.91	-97.41	-52.50	-13	39.50
3 886.30	48.07	H	32.17	-36.07	44.17	-97.41	-53.24	-13	40.24
Above 3 900.00	Not detected	-	-	-	-	-	-	-	-
Middle Channel (782.0 MHz)									
1 559.35	57.51	H	25.34	-38.78	44.07	-95.26	-51.19	-40	11.19
1 559.35	55.51	V	25.34	-38.78	42.07	-95.26	-53.19	-40	13.19
2 339.20	51.21	H	27.80	-36.39	42.62	-97.41	-54.79	-13	41.79
2 339.20	50.28	V	27.80	-36.39	41.69	-97.41	-55.72	-13	42.72
3 119.05	52.29	H	30.04	-36.65	45.68	-97.41	-51.73	-13	38.73
3 898.90	51.19	H	32.20	-36.02	47.37	-97.41	-50.04	-13	37.04
3 899.35	48.53	V	32.20	-36.02	44.71	-97.41	-52.70	-13	39.70
Above 3 900.00	Not detected	-	-	-	-	-	-	-	-
High Channel (784.5 MHz)									
1 564.30	58.80	H	25.36	-38.76	45.40	-95.26	-49.86	-40	9.86
1 564.75	56.28	V	25.36	-38.76	42.88	-95.26	-52.38	-40	12.38
2 346.85	52.12	H	27.80	-36.33	43.59	-97.41	-53.82	-13	40.82
2 350.90	48.72	V	27.81	-36.30	40.23	-97.41	-57.18	-13	44.18
3 129.40	52.36	H	30.06	-36.65	45.77	-97.41	-51.64	-13	38.64
3 129.85	50.76	V	30.06	-36.65	44.17	-97.41	-53.24	-13	40.24
3 911.95	47.63	H	32.18	-35.97	43.84	-97.41	-53.57	-13	40.57
Above 4 000.00	Not detected	-	-	-	-	-	-	-	-

**LTE band 14 (10 MHz - QPSK)**

Frequency (MHz)	Measured Level (dB $\mu$ V)	Ant. Pol.	AF (dB/m)	AMP+CL (dB)	E (dB $\mu$ V/m)	CF (dB)	E.R.P. / E.I.R.P. (dB m)	Limit (dB m)	Margin (dB)
Middle Channel (793.0 MHz)									
1 577.35	59.91	H	25.41	-38.70	46.62	-95.26	-48.64	-40	8.64
1 576.90	60.63	V	25.41	-38.70	47.34	-95.26	<b>-47.92</b>	-40	7.92
2 365.75	57.15	H	27.89	-36.22	48.82	-97.41	-48.59	-13	35.59
2 365.75	56.00	V	27.89	-36.22	47.67	-97.41	-49.74	-13	36.74
3 154.15	52.46	H	30.11	-36.65	45.92	-97.41	-51.49	-13	38.49
3 154.60	50.62	V	30.11	-36.66	44.07	-97.41	-53.34	-13	40.34
3 943.00	52.06	H	32.11	-35.91	48.26	-97.41	-49.15	-13	36.15
3 943.00	48.91	V	32.11	-35.91	45.11	-97.41	-52.30	-13	39.30
Above 4 000.00	Not detected	-	-	-	-	-	-	-	-

**LTE band 25/2 (15 MHz - QPSK)**

Frequency (MHz)	Measured Level (dB $\mu$ V)	Ant. Pol.	AF (dB/m)	AMP+CL (dB)	E (dB $\mu$ V/m)	CF (dB)	E.I.R.P. (dB m)	Limit (dB m)	Margin (dB)
Low Channel (1 857.5 MHz)									
3 701.30	59.48	H	32.10	-36.60	54.98	-95.26	-40.28	-13	27.28
3 701.30	53.42	V	32.10	-36.60	48.92	-95.26	-46.34	-13	33.34
5 552.60	56.11	H	33.90	-34.20	55.81	-95.26	-39.45	-13	26.45
5 552.60	52.24	V	33.90	-34.20	51.94	-95.26	-43.32	-13	30.32
7 403.05	63.97	H	36.00	-32.16	67.81	-95.26	-27.45	-13	14.45
7 403.05	59.52	V	36.00	-32.16	63.36	-95.26	-31.90	-13	18.90
9 254.35	60.27	H	37.21	-32.68	64.80	-95.26	-30.46	-13	17.46
9 254.35	59.63	V	37.21	-32.68	64.16	-95.26	-31.10	-13	18.10
Above 9 300.00	Not detected	-	-	-	-	-	-	-	-
Middle Channel (1 882.5 MHz)									
3 751.45	58.30	H	32.19	-36.86	53.63	-95.26	-41.63	-13	28.63
3 751.45	54.22	V	32.19	-36.86	49.55	-95.26	-45.71	-13	32.71
5 627.40	56.80	H	33.90	-33.52	57.18	-95.26	-38.08	-13	25.08
5 627.40	54.17	V	33.90	-33.52	54.55	-95.26	-40.71	-13	27.71
7 503.35	67.85	H	35.90	-32.96	70.79	-95.26	<b>-24.47</b>	-13	11.47
7 503.35	62.53	V	35.90	-32.96	65.47	-95.26	-29.79	-13	16.79
9 379.30	61.26	H	37.52	-32.41	66.37	-95.26	-28.89	-13	15.89
9 379.30	61.84	V	37.52	-32.41	66.95	-95.26	-28.31	-13	15.31
12 875.35	41.40	V	39.00	-28.10	52.30	-95.26	-42.96	-13	29.96
Above 12 900.00	Not detected	-	-	-	-	-	-	-	-
High Channel (1 907.5 MHz)									
3 801.60	57.41	H	32.00	-36.63	52.78	-95.26	-42.48	-13	29.48
3 801.60	54.29	V	32.00	-36.63	49.66	-95.26	-45.60	-13	32.60
5 702.20	52.58	H	33.90	-33.56	52.92	-95.26	-42.34	-13	29.34
5 702.20	53.99	V	33.90	-33.56	54.33	-95.26	-40.93	-13	27.93
7 602.80	63.73	H	35.90	-32.62	67.01	-95.26	-28.25	-13	15.25
7 602.80	58.77	V	35.90	-32.62	62.05	-95.26	-33.21	-13	20.21
9 504.25	56.47	H	37.70	-32.44	61.73	-95.26	-33.53	-13	20.53
9 504.25	56.95	V	37.70	-32.44	62.21	-95.26	-33.05	-13	20.05
Above 9 600.00	Not detected	-	-	-	-	-	-	-	-

**LTE band 26/5\_Part 22 (10 MHz - QPSK)**

Frequency (MHz)	Measured Level (dB $\mu$ V)	Ant. Pol.	AF (dB/m)	AMP+CL (dB)	E (dB $\mu$ V/m)	CF (dB)	E.R.P. (dB m)	Limit (dB m)	Margin (dB)
Low Channel (829.0 MHz)									
1 648.90	56.62	H	25.60	-38.68	43.54	-97.41	-53.87	-13	40.87
1 648.90	55.67	V	25.60	-38.68	42.59	-97.41	-54.82	-13	41.82
2 473.75	59.75	H	28.15	-36.82	51.08	-97.41	-46.33	-13	33.33
2 473.75	57.96	V	28.15	-36.82	49.29	-97.41	-48.12	-13	35.12
3 298.15	57.82	H	30.69	-37.11	51.40	-97.41	<b>-46.01</b>	-13	33.01
3 298.15	53.28	V	30.69	-37.11	46.86	-97.41	-50.55	-13	37.55
Above 3 300.00	Not detected	-	-	-	-	-	-	-	-
Middle Channel (836.5 MHz)									
1 664.20	56.48	H	25.77	-38.67	43.58	-97.41	-53.83	-13	40.83
1 663.75	57.51	V	25.77	-38.67	44.61	-97.41	-52.80	-13	39.80
2 496.25	57.80	H	28.11	-37.16	48.75	-97.41	-48.66	-13	35.66
2 496.25	57.41	V	28.11	-37.16	48.36	-97.41	-49.05	-13	36.05
3 328.30	55.03	H	30.64	-37.03	48.64	-97.41	-48.77	-13	35.77
3 328.30	55.07	V	30.64	-37.03	48.68	-97.41	-48.73	-13	35.73
Above 3 400.00	Not detected	-	-	-	-	-	-	-	-
High Channel (844.0 MHz)									
1 679.05	58.67	H	25.95	-38.68	45.94	-97.41	-51.47	-13	38.47
1 679.05	53.69	V	25.95	-38.68	40.96	-97.41	-56.45	-13	43.45
2 518.75	53.55	H	28.21	-36.94	44.82	-97.41	-52.59	-13	39.59
2 518.75	55.42	V	28.21	-36.94	46.69	-97.41	-50.72	-13	37.72
3 358.45	57.64	H	30.62	-36.97	51.29	-97.41	-46.12	-13	33.12
3 359.45	51.99	V	30.62	-36.97	45.64	-97.41	-51.77	-13	38.77
Above 3 400.00	Not detected	-	-	-	-	-	-	-	-

**LTE band 26\_Part 90 (10 MHz - QPSK)**

Frequency (MHz)	Measured Level (dB $\mu$ V)	Ant. Pol.	AF (dB/m)	AMP+CL (dB)	E (dB $\mu$ V/m)	CF (dB)	E.R.P. (dB m)	Limit (dB m)	Margin (dB)
Middle Channel (819.0 MHz)									
1 629.10	54.82	H	25.56	-38.62	41.76	-97.41	-55.65	-13	42.65
1 629.10	55.10	V	25.56	-38.62	42.04	-97.41	-55.37	-13	42.37
2 444.05	56.17	H	28.19	-36.32	48.04	-97.41	<b>-49.37</b>	-13	36.37
2 444.60	53.24	V	28.19	-36.32	45.11	-97.41	-52.30	-13	39.30
3 258.10	52.09	H	30.45	-37.07	45.47	-97.41	-51.94	-13	38.94
Above 3 300.00	Not detected	-	-	-	-	-	-	-	-



**LTE band 66/4 (15 MHz - QPSK)**

Frequency (MHz)	Measured Level (dB $\mu$ V)	Ant. Pol.	AF (dB/m)	AMP+CL (dB)	E (dB $\mu$ V/m)	CF (dB)	E.I.R.P. (dB m)	Limit (dB m)	Margin (dB)
Low Channel (1 717.5 MHz)									
3 421.65	61.74	H	30.87	-36.93	55.68	-95.26	-39.58	-13	26.58
3 421.65	51.66	V	30.87	-36.93	45.60	-95.26	-49.66	-13	36.66
5 131.85	52.96	H	33.26	-35.45	50.77	-95.26	-44.49	-13	31.49
5 132.70	57.69	V	33.27	-35.46	55.50	-95.26	-39.76	-13	26.76
6 842.90	57.15	H	35.29	-33.86	58.58	-95.26	-36.68	-13	23.68
6 842.90	53.47	V	35.29	-33.86	54.90	-95.26	-40.36	-13	27.36
8 553.95	62.70	H	36.51	-33.54	65.67	-95.26	-29.59	-13	16.59
8 553.95	57.33	V	36.51	-33.54	60.30	-95.26	-34.96	-13	21.96
Above 8 600.00	Not detected	-	-	-	-	-	-	-	-
Middle Channel (1 745.0 MHz)									
3 476.05	59.97	H	31.10	-36.78	54.29	-95.26	-40.97	-13	27.97
3 476.05	49.36	V	31.10	-36.78	43.68	-95.26	-51.58	-13	38.58
5 215.15	58.19	H	33.53	-35.13	56.59	-95.26	-38.67	-13	25.67
5 215.15	55.59	V	33.53	-35.13	53.99	-95.26	-41.27	-13	28.27
6 953.40	56.94	H	35.41	-33.18	59.17	-95.26	-36.09	-13	23.09
6 953.40	51.62	V	35.41	-33.18	53.85	-95.26	-41.41	-13	28.41
8 691.65	63.61	H	36.87	-34.29	66.19	-95.26	<b>-29.07</b>	-13	16.07
8 691.65	57.72	V	36.87	-34.29	60.30	-95.26	-34.96	-13	21.96
Above 8 700.00	Not detected	-	-	-	-	-	-	-	-

Frequency (MHz)	Measured Level (dB $\mu$ V)	Ant. Pol.	AF (dB/m)	AMP+CL (dB)	E (dB $\mu$ V/m)	CF (dB)	E.I.R.P. (dB m)	Limit (dB m)	Margin (dB)
High Channel (1 772.5 MHz)									
3 531.30	58.95	H	31.04	-36.88	53.11	-95.26	-42.15	-13	29.15
3 531.30	55.28	V	31.04	-36.88	49.44	-95.26	-45.82	-13	32.82
5 297.60	53.99	H	33.79	-34.80	52.98	-95.26	-42.28	-13	29.28
5 297.60	58.36	V	33.79	-34.80	57.35	-95.26	-37.91	-13	24.91
7 063.05	57.60	H	35.53	-33.09	60.04	-95.26	-35.22	-13	22.22
7 063.05	53.14	V	35.53	-33.09	55.58	-95.26	-39.68	-13	26.68
8 829.35	60.03	H	37.16	-32.94	64.25	-95.26	-31.01	-13	18.01
8 829.35	56.02	V	37.16	-32.94	60.24	-95.26	-35.02	-13	22.02
10 595.65	46.58	V	37.79	-30.78	53.59	-95.26	-41.67	-13	28.67
Above 10 600.00	Not detected	-	-	-	-	-	-	-	-

**LTE band 71 (15 MHz - QPSK)**

Frequency (MHz)	Measured Level (dB $\mu$ V)	Ant. Pol.	AF (dB/m)	AMP+CL (dB)	E (dB $\mu$ V/m)	CF (dB)	E.R.P. (dB m)	Limit (dB m)	Margin (dB)
Low Channel (670.5 MHz)									
1 327.60	57.86	H	25.10	-39.27	43.69	-97.41	-53.72	-13	40.72
1 327.60	60.00	V	25.10	-39.27	45.83	-97.41	-51.58	-13	38.58
1 991.35	54.79	H	27.67	-37.68	44.78	-97.41	-52.63	-13	39.63
1 991.35	54.66	V	27.67	-37.68	44.65	-97.41	-52.76	-13	39.76
Above 2 000.00	Not detected	-	-	-	-	-	-	-	-
Middle Channel (680.5 MHz)									
1 347.40	58.76	H	25.10	-39.37	44.49	-97.41	-52.92	-13	39.92
1 347.40	58.92	V	25.10	-39.37	44.65	-97.41	-52.76	-13	39.76
2 021.05	53.13	H	27.66	-37.60	43.19	-97.41	-54.22	-13	41.22
2 021.50	53.77	V	27.66	-37.60	43.83	-97.41	-53.58	-13	40.58
Above 2 100.00	Not detected	-	-	-	-	-	-	-	-
High Channel (690.5 MHz)									
1 367.65	59.39	H	25.10	-39.24	45.25	-97.41	-52.16	-13	39.16
1 367.65	56.35	V	25.10	-39.24	42.21	-97.41	-55.20	-13	42.20
2 051.65	52.74	H	27.60	-37.56	42.78	-97.41	-54.63	-13	41.63
2 051.20	55.82	V	27.60	-37.56	45.86	-97.41	<b>-51.55</b>	-13	38.55
3 419.20	50.35	H	30.85	-36.94	44.26	-97.41	-53.15	-13	40.15
Above 3 500.00	Not detected	-	-	-	-	-	-	-	-

**- Antenna 3**

**LTE band 7 (20 MHz - QPSK)**

Frequency (MHz)	Measured Level (dB $\mu$ V)	Ant. Pol.	AF (dB/m)	AMP+CL (dB)	E (dB $\mu$ V/m)	CF (dB)	E.I.R.P. (dB m)	Limit (dB m)	Margin (dB)
Low Channel (2 510.0 MHz)									
7 503.35	44.72	H	35.90	-32.96	47.66	-95.26	-47.60	-25	22.60
7 503.35	47.16	V	35.90	-32.96	50.10	-95.26	-45.16	-25	20.16
10 004.90	44.72	H	37.80	-31.89	50.63	-95.26	-44.63	-25	19.63
10 004.05	45.46	V	37.80	-31.91	51.35	-95.26	-43.91	-25	18.91
Above 10 100.00	Not detected	-	-	-	-	-	-	-	-
Middle Channel (2 535.0 MHz)									
7 578.75	50.38	H	35.90	-32.64	53.64	-95.26	-41.62	-25	16.62
7 578.15	50.78	V	35.90	-32.64	54.04	-95.26	-41.22	-25	16.22
10 105.20	48.33	H	37.81	-31.56	54.58	-95.26	<b>-40.68</b>	-25	15.68
10 104.35	47.78	V	37.81	-31.56	54.03	-95.26	-41.23	-25	16.23
Above 10 200.00	Not detected	-	-	-	-	-	-	-	-
High Channel (2 560.0 MHz)									
7 652.95	46.55	H	35.91	-32.40	50.06	-95.26	-45.20	-25	20.20
7 652.95	45.96	V	35.91	-32.40	49.47	-95.26	-45.79	-25	20.79
10 204.65	45.44	H	37.89	-31.55	51.78	-95.26	-43.48	-25	18.48
10 204.65	45.41	V	37.89	-31.55	51.75	-95.26	-43.51	-25	18.51
Above 10 300.00	Not detected	-	-	-	-	-	-	-	-

**LTE band 12 (5 MHz - QPSK)**

Frequency (MHz)	Measured Level (dB $\mu$ V)	Ant. Pol.	AF (dB/m)	AMP+CL (dB)	E (dB $\mu$ V/m)	CF (dB)	E.R.P. (dB m)	Limit (dB m)	Margin (dB)
Low Channel (701.5 MHz)									
1 398.70	56.33	H	25.10	-39.15	42.28	-97.41	-55.13	-13	42.13
1 398.70	57.11	V	25.10	-39.15	43.06	-97.41	-54.35	-13	41.35
2 106.10	49.60	V	27.51	-37.26	39.85	-97.41	-57.56	-13	44.56
2 797.30	49.84	H	28.89	-36.77	41.96	-97.41	-55.45	-13	42.45
2 797.30	52.30	V	28.89	-36.77	44.42	-97.41	-52.99	-13	39.99
3 496.60	50.14	H	31.10	-36.68	44.56	-97.41	-52.85	-13	39.85
3 496.60	49.67	V	31.10	-36.68	44.09	-97.41	-53.32	-13	40.32
Above 3 500.00	Not detected	-	-	-	-	-	-	-	-
Middle Channel (707.5 MHz)									
1 410.40	55.13	H	25.08	-39.15	41.06	-97.41	-56.35	-13	43.35
1 410.85	51.83	V	25.08	-39.15	37.76	-97.41	-59.65	-13	46.65
2 036.35	49.68	V	27.63	-37.58	39.73	-97.41	-57.68	-13	44.68
2 821.15	51.29	H	29.07	-36.76	43.60	-97.41	-53.81	-13	40.81
2 821.15	51.01	V	29.07	-36.76	43.32	-97.41	-54.09	-13	41.09
3 526.75	55.13	H	31.05	-36.84	49.34	-97.41	<b>-48.07</b>	-13	35.07
Above 3 600.00	Not detected	-	-	-	-	-	-	-	-
High Channel (713.5 MHz)									
1 422.55	57.28	H	25.05	-39.14	43.19	-97.41	-54.22	-13	41.22
1 422.55	53.48	V	25.05	-39.14	39.39	-97.41	-58.02	-13	45.02
2 134.00	51.26	H	27.57	-36.93	41.90	-97.41	-55.51	-13	42.51
2 129.50	48.94	V	27.56	-36.98	39.52	-97.41	-57.89	-13	44.89
2 845.00	51.11	H	29.26	-36.74	43.63	-97.41	-53.78	-13	40.78
2 845.45	49.63	V	29.26	-36.74	42.15	-97.41	-55.26	-13	42.26
3 556.45	50.89	H	31.04	-36.98	44.95	-97.41	-52.46	-13	39.46
Above 3 600.00	Not detected	-	-	-	-	-	-	-	-

**LTE band 13 (5 MHz - QPSK)**

Frequency (MHz)	Measured Level (dB $\mu$ V)	Ant. Pol.	AF (dB/m)	AMP+CL (dB)	E (dB $\mu$ V/m)	CF (dB)	E.R.P. / E.I.R.P. (dB m)	Limit (dB m)	Margin (dB)
Low Channel (779.5 MHz)									
1 554.40	62.44	H	25.32	-38.80	48.96	-95.26	<b>-46.30</b>	-40	6.30
1 554.40	61.04	V	25.32	-38.80	47.56	-95.26	-47.70	-40	7.70
3 109.15	56.88	H	30.02	-36.65	50.25	-97.41	-47.16	-13	34.16
3 109.15	53.05	V	30.02	-36.65	46.42	-97.41	-50.99	-13	37.99
Above 3 200.00	Not detected	-	-	-	-	-	-	-	-
Middle Channel (782.0 MHz)									
1 559.35	61.70	H	25.34	-38.78	48.26	-95.26	-47.00	-40	7.00
1 559.35	59.98	V	25.34	-38.78	46.54	-95.26	-48.72	-40	8.72
3 119.50	56.05	H	30.04	-36.65	49.44	-97.41	-47.97	-13	34.97
3 119.05	55.77	V	30.04	-36.65	49.16	-97.41	-48.25	-13	35.25
Above 3 200.00	Not detected	-	-	-	-	-	-	-	-
High Channel (784.5 MHz)									
1 564.75	61.52	H	25.36	-38.76	48.12	-95.26	-47.14	-40	7.14
1 564.30	58.21	V	25.36	-38.76	44.81	-95.26	-50.45	-40	10.45
3 128.95	52.64	H	30.06	-36.65	46.05	-97.41	-51.36	-13	38.36
3 129.40	53.23	V	30.06	-36.65	46.64	-97.41	-50.77	-13	37.77
Above 3 200.00	Not detected	-	-	-	-	-	-	-	-

**LTE band 14 (10 MHz - QPSK)**

Frequency (MHz)	Measured Level (dB $\mu$ V)	Ant. Pol.	AF (dB/m)	AMP+CL (dB)	E (dB $\mu$ V/m)	CF (dB)	E.R.P. / E.I.R.P. (dB m)	Limit (dB m)	Margin (dB)
Middle Channel (793.0 MHz)									
1 576.90	65.07	H	25.41	-38.70	51.78	-95.26	<b>-43.48</b>	-40	3.48
1 576.90	62.39	V	25.41	-38.70	49.10	-95.26	-46.16	-40	6.16
2 365.75	50.81	V	27.89	-36.22	42.48	-97.41	-54.93	-13	41.93
3 154.60	55.73	H	30.11	-36.66	49.18	-97.41	-48.23	-13	35.23
3 154.15	56.76	V	30.11	-36.65	50.22	-97.41	-47.19	-13	34.19
Above 3 200.00	Not detected	-	-	-	-	-	-	-	-

**LTE band 25/2 (15 MHz - QPSK)**

Frequency (MHz)	Measured Level (dB $\mu$ V)	Ant. Pol.	AF (dB/m)	AMP+CL (dB)	E (dB $\mu$ V/m)	CF (dB)	E.I.R.P. (dB m)	Limit (dB m)	Margin (dB)
Low Channel (1 857.5 MHz)									
3 701.30	58.55	H	32.10	-36.60	54.05	-95.26	-41.21	-13	28.21
3 701.30	52.50	V	32.10	-36.60	48.00	-95.26	-47.26	-13	34.26
5 552.60	56.78	H	33.90	-34.20	56.48	-95.26	-38.78	-13	25.78
5 552.60	50.97	V	33.90	-34.20	50.67	-95.26	-44.59	-13	31.59
7 403.05	59.32	H	36.00	-32.16	63.16	-95.26	-32.10	-13	19.10
7 403.05	55.26	V	36.00	-32.16	59.10	-95.26	-36.16	-13	23.16
9 254.35	60.19	H	37.21	-32.68	64.72	-95.26	-30.54	-13	17.54
9 254.35	62.11	V	37.21	-32.68	66.64	-95.26	<b>-28.62</b>	-13	15.62
Above 9 300.00	Not detected	-	-	-	-	-	-	-	-
Middle Channel (1 882.5 MHz)									
3 751.45	59.45	H	32.19	-36.86	54.78	-95.26	-40.48	-13	27.48
3 751.45	54.00	V	32.19	-36.86	49.33	-95.26	-45.93	-13	32.93
5 627.40	56.34	H	33.90	-33.52	56.72	-95.26	-38.54	-13	25.54
5 627.40	52.73	V	33.90	-33.52	53.11	-95.26	-42.15	-13	29.15
7 503.35	58.14	H	35.90	-32.96	61.08	-95.26	-34.18	-13	21.18
7 503.35	54.42	V	35.90	-32.96	57.36	-95.26	-37.90	-13	24.90
9 379.30	57.77	H	37.52	-32.41	62.88	-95.26	-32.38	-13	19.38
9 379.30	54.63	V	37.52	-32.41	59.74	-95.26	-35.52	-13	22.52
Above 9 400.00	Not detected	-	-	-	-	-	-	-	-

Frequency (MHz)	Measured Level (dB $\mu$ V)	Ant. Pol.	AF (dB/m)	AMP+CL (dB)	E (dB $\mu$ V/m)	CF (dB)	E.I.R.P. (dB m)	Limit (dB m)	Margin (dB)
High Channel (1 907.5 MHz)									
3 801.60	55.39	H	32.00	-36.63	50.76	-95.26	-44.50	-13	31.50
3 801.60	52.99	V	32.00	-36.63	48.36	-95.26	-46.90	-13	33.90
5 702.20	53.17	H	33.90	-33.56	53.51	-95.26	-41.75	-13	28.75
5 702.20	51.30	V	33.90	-33.56	51.64	-95.26	-43.62	-13	30.62
7 602.80	60.88	H	35.90	-32.62	64.16	-95.26	-31.10	-13	18.10
7 603.65	59.14	V	35.90	-32.62	62.42	-95.26	-32.84	-13	19.84
9 504.25	54.69	H	37.70	-32.44	59.95	-95.26	-35.31	-13	22.31
9 504.25	49.61	V	37.70	-32.44	54.87	-95.26	-40.39	-13	27.39
Above 9 600.00	Not detected	-	-	-	-	-	-	-	-



**LTE band 26/5\_Part 22 (10 MHz - QPSK)**

Frequency (MHz)	Measured Level (dB $\mu$ V)	Ant. Pol.	AF (dB/m)	AMP+CL (dB)	E (dB $\mu$ V/m)	CF (dB)	E.R.P. (dB m)	Limit (dB m)	Margin (dB)
Low Channel (829.0 MHz)									
1 649.35	57.94	H	25.60	-38.68	44.86	-97.41	-52.55	-13	39.55
1 648.90	51.06	V	25.60	-38.68	37.98	-97.41	-59.43	-13	46.43
2 473.75	49.81	H	28.15	-36.82	41.14	-97.41	-56.27	-13	43.27
2 473.75	53.39	V	28.15	-36.82	44.72	-97.41	-52.69	-13	39.69
3 298.15	53.71	H	30.69	-37.11	47.29	-97.41	-50.12	-13	37.12
3 298.15	52.11	V	30.69	-37.11	45.69	-97.41	-51.72	-13	38.72
Above 3 300.00	Not detected	-	-	-	-	-	-	-	-
Middle Channel (836.5 MHz)									
1 663.75	57.79	H	25.77	-38.67	44.89	-97.41	-52.52	-13	39.52
1 664.20	51.27	V	25.77	-38.67	38.37	-97.41	-59.04	-13	46.04
2 496.25	52.08	H	28.11	-37.16	43.03	-97.41	-54.38	-13	41.38
2 496.25	54.68	V	28.11	-37.16	45.63	-97.41	-51.78	-13	38.78
3 328.30	58.30	H	30.64	-37.03	51.91	-97.41	<b>-45.50</b>	-13	32.50
3 328.30	52.60	V	30.64	-37.03	46.21	-97.41	-51.20	-13	38.20
4 160.35	49.09	H	31.98	-36.16	44.91	-97.41	-52.50	-13	39.50
Above 4 200.00	Not detected	-	-	-	-	-	-	-	-
High Channel (844.0 MHz)									
1 679.05	59.60	H	25.95	-38.68	46.87	-97.41	-50.54	-13	37.54
1 679.05	57.44	V	25.95	-38.68	44.71	-97.41	-52.70	-13	39.70
2 518.75	53.90	H	28.21	-36.94	45.17	-97.41	-52.24	-13	39.24
2 518.75	57.83	V	28.21	-36.94	49.10	-97.41	-48.31	-13	35.31
3 358.00	57.55	H	30.62	-36.97	51.20	-97.41	-46.21	-13	33.21
3 358.45	53.07	V	30.62	-36.97	46.72	-97.41	-50.69	-13	37.69
4 197.70	50.97	H	31.90	-36.26	46.61	-97.41	-50.80	-13	37.80
Above 4 200.00	Not detected	-	-	-	-	-	-	-	-

**LTE band 26\_Part 90 (10 MHz - QPSK)**

Frequency (MHz)	Measured Level (dB $\mu$ V)	Ant. Pol.	AF (dB/m)	AMP+CL (dB)	E (dB $\mu$ V/m)	CF (dB)	E.R.P. (dB m)	Limit (dB m)	Margin (dB)
Middle Channel (819.0 MHz)									
1 629.10	57.50	H	25.56	-38.62	44.44	-97.41	-52.97	-13	39.97
1 629.10	56.62	V	25.56	-38.62	43.56	-97.41	-53.85	-13	40.85
2 344.15	50.32	H	27.80	-36.35	41.77	-97.41	-55.64	-13	42.64
2 443.60	49.58	V	28.19	-36.33	41.44	-97.41	-55.97	-13	42.97
3 258.10	51.17	H	30.45	-37.07	44.55	-97.41	<b><u>-52.86</u></b>	-13	39.86
3 258.10	49.74	V	30.45	-37.07	43.12	-97.41	-54.29	-13	41.29
Above 3 300.00	Not detected	-	-	-	-	-	-	-	-

**LTE band 66/4 (15 MHz - QPSK)**

Frequency (MHz)	Measured Level (dB $\mu$ V)	Ant. Pol.	AF (dB/m)	AMP+CL (dB)	E (dB $\mu$ V/m)	CF (dB)	E.I.R.P. (dB m)	Limit (dB m)	Margin (dB)
Low Channel (1 717.5 MHz)									
3 421.65	63.95	H	30.87	-36.93	57.89	-95.26	-37.37	-13	24.37
3 421.65	58.17	V	30.87	-36.93	52.11	-95.26	-43.15	-13	30.15
5 131.85	52.16	H	33.26	-35.45	49.97	-95.26	-45.29	-13	32.29
5 132.70	52.01	V	33.27	-35.46	49.82	-95.26	-45.44	-13	32.44
6 843.75	47.08	H	35.29	-33.87	48.50	-95.26	-46.76	-13	33.76
8 553.95	61.63	H	36.51	-33.54	64.60	-95.26	-30.66	-13	17.66
8 553.95	56.20	V	36.51	-33.54	59.17	-95.26	-36.09	-13	23.09
10 265.00	46.29	H	37.80	-31.27	52.82	-95.26	-42.44	-13	29.44
10 265.00	46.53	V	37.80	-31.27	53.06	-95.26	-42.20	-13	29.20
Above 10 300.00	Not detected	-	-	-	-	-	-	-	-
Middle Channel (1 745.0 MHz)									
3 476.05	63.87	H	31.10	-36.78	58.19	-95.26	-37.07	-13	24.07
3 476.90	55.98	V	31.10	-36.78	50.30	-95.26	-44.96	-13	31.96
5 215.15	53.89	H	33.53	-35.13	52.29	-95.26	-42.97	-13	29.97
5 215.15	49.12	V	33.53	-35.13	47.52	-95.26	-47.74	-13	34.74
6 953.40	47.91	H	35.41	-33.18	50.14	-95.26	-45.12	-13	32.12
6 953.40	47.83	V	35.41	-33.18	50.06	-95.26	-45.20	-13	32.20
8 691.65	65.73	H	36.87	-34.29	68.31	-95.26	<b>-26.95</b>	-13	13.95
8 691.65	64.64	V	36.87	-34.29	67.22	-95.26	-28.04	-13	15.04
10 429.90	45.63	H	37.80	-31.14	52.29	-95.26	-42.97	-13	29.97
10 430.75	45.72	V	37.80	-31.14	52.38	-95.26	-42.88	-13	29.88
Above 10 500.00	Not detected	-	-	-	-	-	-	-	-
High Channel (1 772.5 MHz)									
3 419.10	55.82	H	30.85	-36.94	49.73	-95.26	-45.53	-13	32.53
3 531.30	52.48	V	31.04	-36.88	46.64	-95.26	-48.62	-13	35.62
5 297.60	49.12	V	33.79	-34.80	48.11	-95.26	-47.15	-13	34.15
7 063.05	45.97	V	35.53	-33.09	48.41	-95.26	-46.85	-13	33.85
8 829.35	61.22	V	37.16	-32.94	65.44	-95.26	-29.82	-13	16.82
10 595.65	47.22	V	37.79	-30.78	54.23	-95.26	-41.03	-13	28.03
Above 10 600.00	Not detected	-	-	-	-	-	-	-	-

**LTE band 71 (15 MHz - QPSK)**

Frequency (MHz)	Measured Level (dB $\mu$ V)	Ant. Pol.	AF (dB/m)	AMP+CL (dB)	E (dB $\mu$ V/m)	CF (dB)	E.R.P. (dB m)	Limit (dB m)	Margin (dB)
Low Channel (670.5 MHz)									
1 327.15	61.65	H	25.10	-39.27	47.48	-97.41	-49.93	-13	36.93
1 327.60	62.36	V	25.10	-39.27	48.19	-97.41	-49.22	-13	36.22
1 991.35	50.85	V	27.67	-37.68	40.84	-97.41	-56.57	-13	43.57
Above 2 000.00	Not detected	-	-	-	-	-	-	-	-
Middle Channel (680.5 MHz)									
1 347.40	60.32	H	25.10	-39.37	46.05	-97.41	-51.36	-13	38.36
1 347.40	62.09	V	25.10	-39.37	47.82	-97.41	-49.59	-13	36.59
2 695.15	52.04	V	28.61	-36.91	43.74	-97.41	-53.67	-13	40.67
3 369.25	55.13	H	30.64	-36.96	48.81	-97.41	-48.60	-13	35.60
Above 3 400.00	Not detected	-	-	-	-	-	-	-	-
High Channel (690.5 MHz)									
1 367.65	62.38	H	25.10	-39.24	48.24	-97.41	-49.17	-13	36.17
1 367.65	65.22	V	25.10	-39.24	51.08	-97.41	-46.33	-13	33.33
2 051.65	52.12	V	27.60	-37.56	42.16	-97.41	-55.25	-13	42.25
2 795.20	51.17	H	28.88	-36.78	43.27	-97.41	-54.14	-13	41.14
2 735.20	53.91	V	28.67	-36.87	45.71	-97.41	-51.70	-13	38.70
3 419.20	57.36	H	30.85	-36.94	51.27	-97.41	<b>-46.14</b>	-13	33.14
3 419.20	49.71	V	30.85	-36.94	43.62	-97.41	-53.79	-13	40.79
Above 3 500.00	Not detected	-	-	-	-	-	-	-	-

**- Antenna 4**

**LTE band 7 (20 MHz - QPSK)**

Frequency (MHz)	Measured Level (dB $\mu$ V)	Ant. Pol.	AF (dB/m)	AMP+CL (dB)	E (dB $\mu$ V/m)	CF (dB)	E.I.R.P. (dB m)	Limit (dB m)	Margin (dB)
Low Channel (2 510.0 MHz)									
7 503.35	45.95	H	35.90	-32.96	48.89	-95.26	-46.37	-25	21.37
7 503.35	48.84	V	35.90	-32.96	51.78	-95.26	-43.48	-25	18.48
10 004.05	47.01	H	37.80	-31.91	52.90	-95.26	-42.36	-25	17.36
10 004.90	48.39	V	37.80	-31.89	54.30	-95.26	-40.96	-25	15.96
Above 10 100.00	Not detected	-	-	-	-	-	-	-	-
Middle Channel (2 535.0 MHz)									
7 578.15	50.45	H	35.90	-32.64	53.71	-95.26	-41.55	-25	16.55
7 578.15	46.04	V	35.90	-32.64	49.30	-95.26	-45.96	-25	20.96
10 104.35	50.45	H	37.81	-31.56	56.70	-95.26	<b>-38.56</b>	-25	13.56
10 104.35	45.75	V	37.81	-31.56	52.00	-95.26	-43.26	-25	18.26
Above 10 200.00	Not detected	-	-	-	-	-	-	-	-
High Channel (2 560.0 MHz)									
7 652.95	45.27	H	35.91	-32.40	48.78	-95.26	-46.48	-25	21.48
7 652.95	44.52	V	35.91	-32.40	48.03	-95.26	-47.23	-25	22.23
10 204.65	43.46	H	37.89	-31.55	49.80	-95.26	-45.46	-25	20.46
10 204.65	44.84	V	37.89	-31.55	51.18	-95.26	-44.08	-25	19.08
Above 10 300.00	Not detected	-	-	-	-	-	-	-	-

**LTE band 12 (5 MHz - QPSK)**

Frequency (MHz)	Measured Level (dB $\mu$ V)	Ant. Pol.	AF (dB/m)	AMP+CL (dB)	E (dB $\mu$ V/m)	CF (dB)	E.R.P. (dB m)	Limit (dB m)	Margin (dB)
Low Channel (701.5 MHz)									
1 398.70	63.57	H	25.10	-39.15	49.52	-97.41	<b>-47.89</b>	-13	34.89
1 398.25	61.27	V	25.10	-39.15	47.22	-97.41	-50.19	-13	37.19
2 097.55	51.29	H	27.50	-37.36	41.43	-97.41	-55.98	-13	42.98
2 797.30	51.53	V	28.89	-36.77	43.65	-97.41	-53.76	-13	40.76
2 797.30	52.02	H	28.89	-36.77	44.14	-97.41	-53.27	-13	40.27
Above 2 800.00	Not detected	-	-	-	-	-	-	-	-
Middle Channel (707.5 MHz)									
1 410.40	55.96	H	25.08	-39.15	41.89	-97.41	-55.52	-13	42.52
1 410.40	53.71	V	25.08	-39.15	39.64	-97.41	-57.77	-13	44.77
2 821.15	49.93	H	29.07	-36.76	42.24	-97.41	-55.17	-13	42.17
Above 2 900.00	Not detected	-	-	-	-	-	-	-	-
High Channel (713.5 MHz)									
1 422.55	57.03	H	25.05	-39.14	42.94	-97.41	-54.47	-13	41.47
1 422.10	56.79	V	25.06	-39.14	42.71	-97.41	-54.70	-13	41.70
2 134.00	50.79	H	27.57	-36.93	41.43	-97.41	-55.98	-13	42.98
2 845.45	53.81	V	29.26	-36.74	46.33	-97.41	-51.08	-13	38.08
2 845.00	51.96	H	29.26	-36.74	44.48	-97.41	-52.93	-13	39.93
Above 2 900.00	Not detected	-	-	-	-	-	-	-	-

**LTE band 13 (5 MHz - QPSK)**

Frequency (MHz)	Measured Level (dB $\mu$ V)	Ant. Pol.	AF (dB/m)	AMP+CL (dB)	E (dB $\mu$ V/m)	CF (dB)	E.R.P. / E.I.R.P. (dB m)	Limit (dB m)	Margin (dB)
Low Channel (779.5 MHz)									
1 554.40	60.87	H	25.32	-38.80	47.39	-95.26	<b>-47.87</b>	-40	7.87
1 554.40	59.02	V	25.32	-38.80	45.54	-95.26	-49.72	-40	9.72
2 332.00	53.72	H	27.80	-36.45	45.07	-97.41	-52.34	-13	39.34
2 331.55	49.24	V	27.80	-36.45	40.59	-97.41	-56.82	-13	43.82
3 109.15	54.74	H	30.02	-36.65	48.11	-97.41	-49.30	-13	36.30
3 109.15	52.17	V	30.02	-36.65	45.54	-97.41	-51.87	-13	38.87
Above 3 200.00	Not detected	-	-	-	-	-	-	-	-
Middle Channel (782.0 MHz)									
1 559.35	58.96	H	25.34	-38.78	45.52	-95.26	-49.74	-40	9.74
1 559.80	54.24	V	25.34	-38.78	40.80	-95.26	-54.46	-40	14.46
2 339.65	53.03	H	27.80	-36.39	44.44	-97.41	-52.97	-13	39.97
2 339.65	51.31	V	27.80	-36.39	42.72	-97.41	-54.69	-13	41.69
3 119.05	54.26	H	30.04	-36.65	47.65	-97.41	-49.76	-13	36.76
3 119.50	58.62	V	30.04	-36.65	52.01	-97.41	-45.40	-13	32.40
Above 3 200.00	Not detected	-	-	-	-	-	-	-	-
High Channel (784.5 MHz)									
1 564.30	59.30	H	25.36	-38.76	45.90	-95.26	-49.36	-40	9.36
1 564.30	55.66	V	25.36	-38.76	42.26	-95.26	-53.00	-40	13.00
2 346.85	53.23	H	27.80	-36.33	44.70	-97.41	-52.71	-13	39.71
3 128.95	57.30	V	30.06	-36.65	50.71	-97.41	-46.70	-13	33.70
3 129.40	58.33	H	30.06	-36.65	51.74	-97.41	-45.67	-13	32.67
Above 3 200.00	Not detected	-	-	-	-	-	-	-	-

**LTE band 14 (10 MHz - QPSK)**

Frequency (MHz)	Measured Level (dB $\mu$ V)	Ant. Pol.	AF (dB/m)	AMP+CL (dB)	E (dB $\mu$ V/m)	CF (dB)	E.R.P. / E.I.R.P. (dB m)	Limit (dB m)	Margin (dB)
Middle Channel (793.0 MHz)									
1 576.90	59.33	H	25.41	-38.70	46.04	-95.26	-49.22	-40	9.22
1 576.90	59.72	V	25.41	-38.70	46.43	-95.26	<b>-48.83</b>	-40	8.83
2 365.75	55.86	H	27.89	-36.22	47.53	-97.41	-49.88	-13	36.88
2 365.75	52.36	V	27.89	-36.22	44.03	-97.41	-53.38	-13	40.38
3 154.15	57.83	H	30.11	-36.65	51.29	-97.41	-46.12	-13	33.12
3 154.15	57.49	V	30.11	-36.65	50.95	-97.41	-46.46	-13	33.46
Above 3 200.00	Not detected	-	-	-	-	-	-	-	-



**LTE band 25/2 (15 MHz - QPSK)**

Frequency (MHz)	Measured Level (dB $\mu$ V)	Ant. Pol.	AF (dB/m)	AMP+CL (dB)	E (dB $\mu$ V/m)	CF (dB)	E.I.R.P. (dB m)	Limit (dB m)	Margin (dB)
Low Channel (1 857.5 MHz)									
3 701.30	63.35	H	32.10	-36.60	58.85	-95.26	-36.41	-13	23.41
3 701.30	60.00	V	32.10	-36.60	55.50	-95.26	-39.76	-13	26.76
5 552.60	54.83	H	33.90	-34.20	54.53	-95.26	-40.73	-13	27.73
5 552.60	52.22	V	33.90	-34.20	51.92	-95.26	-43.34	-13	30.34
7 403.05	56.55	H	36.00	-32.16	60.39	-95.26	-34.87	-13	21.87
7 403.05	55.84	V	36.00	-32.16	59.68	-95.26	-35.58	-13	22.58
9 254.35	58.26	H	37.21	-32.68	62.79	-95.26	-32.47	-13	19.47
9 254.35	56.90	V	37.21	-32.68	61.43	-95.26	-33.83	-13	20.83
11 104.80	44.99	H	38.20	-30.16	53.03	-95.26	-42.23	-13	29.23
11 104.80	45.04	V	38.20	-30.16	53.08	-95.26	-42.18	-13	29.18
12 956.10	42.71	V	39.00	-29.00	52.71	-95.26	-42.55	-13	29.55
Above 13 000.00	Not detected	-	-	-	-	-	-	-	-
Middle Channel (1 882.5 MHz)									
3 751.45	63.10	H	32.19	-36.86	58.43	-95.26	-36.83	-13	23.83
3 751.45	58.01	V	32.19	-36.86	53.34	-95.26	-41.92	-13	28.92
5 627.40	56.92	H	33.90	-33.52	57.30	-95.26	-37.96	-13	24.96
5 627.40	54.95	V	33.90	-33.52	55.33	-95.26	-39.93	-13	26.93
7 503.35	55.06	H	35.90	-32.96	58.00	-95.26	-37.26	-13	24.26
7 503.35	52.87	V	35.90	-32.96	55.81	-95.26	-39.45	-13	26.45
9 379.30	56.11	H	37.52	-32.41	61.22	-95.26	-34.04	-13	21.04
9 379.30	57.07	V	37.52	-32.41	62.18	-95.26	-33.08	-13	20.08
Above 9 400.00	Not detected	-	-	-	-	-	-	-	-

Frequency (MHz)	Measured Level (dB $\mu$ V)	Ant. Pol.	AF (dB/m)	AMP+CL (dB)	E (dB $\mu$ V/m)	CF (dB)	E.I.R.P. (dB m)	Limit (dB m)	Margin (dB)
High Channel (1 907.5 MHz)									
3 801.60	63.09	H	32.00	-36.63	58.46	-95.26	-36.80	-13	23.80
3 801.60	58.20	V	32.00	-36.63	53.57	-95.26	-41.69	-13	28.69
5 702.20	54.29	H	33.90	-33.56	54.63	-95.26	-40.63	-13	27.63
5 702.20	52.76	V	33.90	-33.56	53.10	-95.26	-42.16	-13	29.16
7 603.65	57.84	H	35.90	-32.62	61.12	-95.26	-34.14	-13	21.14
7 602.80	51.95	V	35.90	-32.62	55.23	-95.26	-40.03	-13	27.03
9 504.25	57.21	H	37.70	-32.44	62.47	-95.26	-32.79	-13	19.79
9 504.25	59.66	V	37.70	-32.44	64.92	-95.26	<b>-30.34</b>	-13	17.34
11 404.85	43.52	V	38.41	-29.93	52.00	-95.26	-43.26	-13	30.26
Above 11 500.00	Not detected	-	-	-	-	-	-	-	-

**LTE band 26/5\_Part 22 (10 MHz - QPSK)**

Frequency (MHz)	Measured Level (dB $\mu$ V)	Ant. Pol.	AF (dB/m)	AMP+CL (dB)	E (dB $\mu$ V/m)	CF (dB)	E.R.P. (dB m)	Limit (dB m)	Margin (dB)
Low Channel (829.0 MHz)									
1 625.05	60.49	H	25.55	-38.61	47.43	-97.41	-49.98	-13	36.98
1 648.90	59.99	V	25.60	-38.68	46.91	-97.41	-50.50	-13	37.50
2 473.30	62.45	H	28.15	-36.81	53.79	-97.41	-43.62	-13	30.62
2 473.75	57.42	V	28.15	-36.82	48.75	-97.41	-48.66	-13	35.66
3 298.15	60.70	H	30.69	-37.11	54.28	-97.41	-43.13	-13	30.13
3 298.15	50.93	V	30.69	-37.11	44.51	-97.41	-52.90	-13	39.90
4 123.00	51.65	H	31.95	-36.22	47.38	-97.41	-50.03	-13	37.03
4 123.00	49.16	V	31.95	-36.22	44.89	-97.41	-52.52	-13	39.52
Above 4 200.00	Not detected	-	-	-	-	-	-	-	-
Middle Channel (836.5 MHz)									
1 624.15	60.06	H	25.55	-38.61	47.00	-97.41	-50.41	-13	37.41
1 664.20	57.84	V	25.77	-38.67	44.94	-97.41	-52.47	-13	39.47
2 696.25	66.83	H	28.61	-36.92	58.52	-97.41	<b>-38.89</b>	-13	25.89
2 496.25	52.97	V	28.11	-37.16	43.92	-97.41	-53.49	-13	40.49
3 328.30	62.88	H	30.64	-37.03	56.49	-97.41	-40.92	-13	27.92
3 328.30	59.34	V	30.64	-37.03	52.95	-97.41	-44.46	-13	31.46
4 160.35	49.18	H	31.98	-36.16	45.00	-97.41	-52.41	-13	39.41
4 160.35	49.12	V	31.98	-36.16	44.94	-97.41	-52.47	-13	39.47
Above 4 200.00	Not detected	-	-	-	-	-	-	-	-
High Channel (844.0 MHz)									
1 678.60	55.51	H	25.94	-38.68	42.77	-97.41	-54.64	-13	41.64
1 679.05	63.15	V	25.95	-38.68	50.42	-97.41	-46.99	-13	33.99
2 518.75	66.90	H	28.21	-36.94	58.17	-97.41	-39.24	-13	26.24
2 518.75	61.83	V	28.21	-36.94	53.10	-97.41	-44.31	-13	31.31
3 358.45	61.51	H	30.62	-36.97	55.16	-97.41	-42.25	-13	29.25
3 358.00	51.01	V	30.62	-36.97	44.66	-97.41	-52.75	-13	39.75
4 198.15	49.49	H	31.90	-36.26	45.13	-97.41	-52.28	-13	39.28
4 197.70	49.05	V	31.90	-36.26	44.69	-97.41	-52.72	-13	39.72
Above 4 200.00	Not detected	-	-	-	-	-	-	-	-

**LTE band 26\_Part 90 (10 MHz - QPSK)**

Frequency (MHz)	Measured Level (dB $\mu$ V)	Ant. Pol.	AF (dB/m)	AMP+CL (dB)	E (dB $\mu$ V/m)	CF (dB)	E.R.P. (dB m)	Limit (dB m)	Margin (dB)
Middle Channel (819.0 MHz)									
1 629.10	63.44	H	25.56	-38.62	50.38	-97.41	<b>-47.03</b>	-13	34.03
1 629.10	54.67	V	25.56	-38.62	41.61	-97.41	-55.80	-13	42.80
2 443.60	55.26	H	28.19	-36.33	47.12	-97.41	-50.29	-13	37.29
2 443.60	54.65	V	28.19	-36.33	46.51	-97.41	-50.90	-13	37.90
3 258.10	55.51	H	30.45	-37.07	48.89	-97.41	-48.52	-13	35.52
4 073.05	50.91	V	31.90	-36.37	46.44	-97.41	-50.97	-13	37.97
4 073.05	50.68	H	31.90	-36.37	46.21	-97.41	-51.20	-13	38.20
Above 4 100.00	Not detected	-	-	-	-	-	-	-	-

**LTE band 66/4 (15 MHz - QPSK)**

Frequency (MHz)	Measured Level (dB $\mu$ V)	Ant. Pol.	AF (dB/m)	AMP+CL (dB)	E (dB $\mu$ V/m)	CF (dB)	E.I.R.P. (dB m)	Limit (dB m)	Margin (dB)
Low Channel (1 717.5 MHz)									
3 421.65	61.84	H	30.87	-36.93	55.78	-95.26	-39.48	-13	26.48
3 421.65	57.61	V	30.87	-36.93	51.55	-95.26	-43.71	-13	30.71
5 132.70	57.43	H	33.27	-35.46	55.24	-95.26	-40.02	-13	27.02
5 131.85	58.33	V	33.26	-35.45	56.14	-95.26	-39.12	-13	26.12
6 842.90	50.88	H	35.29	-33.86	52.31	-95.26	-42.95	-13	29.95
6 842.90	50.06	V	35.29	-33.86	51.49	-95.26	-43.77	-13	30.77
8 553.95	56.35	H	36.51	-33.54	59.32	-95.26	-35.94	-13	22.94
8 553.95	55.70	V	36.51	-33.54	58.67	-95.26	-36.59	-13	23.59
10 265.00	44.11	H	37.80	-31.27	50.64	-95.26	-44.62	-13	31.62
10 265.00	47.49	V	37.80	-31.27	54.02	-95.26	-41.24	-13	28.24
Above 10 300.00	Not detected	-	-	-	-	-	-	-	-
Middle Channel (1 745.0 MHz)									
3 476.05	64.94	H	31.10	-36.78	59.26	-95.26	-36.00	-13	23.00
3 476.05	59.12	V	31.10	-36.78	53.44	-95.26	-41.82	-13	28.82
5 215.15	52.55	H	33.53	-35.13	50.95	-95.26	-44.31	-13	31.31
5 214.30	53.82	V	33.53	-35.13	52.22	-95.26	-43.04	-13	30.04
6 953.40	47.45	H	35.41	-33.18	49.68	-95.26	-45.58	-13	32.58
6 953.40	45.99	V	35.41	-33.18	48.22	-95.26	-47.04	-13	34.04
8 691.65	61.28	H	36.87	-34.29	63.86	-95.26	-31.40	-13	18.40
8 691.65	58.12	V	36.87	-34.29	60.70	-95.26	-34.56	-13	21.56
10 429.90	46.36	H	37.80	-31.14	53.02	-95.26	-42.24	-13	29.24
10 429.90	46.91	V	37.80	-31.14	53.57	-95.26	-41.69	-13	28.69
Above 10 500.00	Not detected	-	-	-	-	-	-	-	-

Frequency (MHz)	Measured Level (dB $\mu$ V)	Ant. Pol.	AF (dB/m)	AMP+CL (dB)	E (dB $\mu$ V/m)	CF (dB)	E.I.R.P. (dB m)	Limit (dB m)	Margin (dB)
High Channel (1 772.5 MHz)									
3 531.30	62.30	H	31.04	-36.88	56.46	-95.26	-38.80	-13	25.80
3 531.30	57.79	V	31.04	-36.88	51.95	-95.26	-43.31	-13	30.31
5 297.60	52.75	H	33.79	-34.80	51.74	-95.26	-43.52	-13	30.52
5 297.60	51.24	V	33.79	-34.80	50.23	-95.26	-45.03	-13	32.03
7 063.05	48.73	H	35.53	-33.09	51.17	-95.26	-44.09	-13	31.09
7 063.05	49.80	V	35.53	-33.09	52.24	-95.26	-43.02	-13	30.02
8 829.35	62.37	H	37.16	-32.94	66.59	-95.26	<b>-28.67</b>	-13	15.67
8 829.35	59.75	V	37.16	-32.94	63.97	-95.26	-31.29	-13	18.29
10 594.80	47.19	H	37.79	-30.78	54.20	-95.26	-41.06	-13	28.06
10 597.80	48.83	V	37.80	-30.77	55.86	-95.26	-39.40	-13	26.40
Above 10 600.00	Not detected	-	-	-	-	-	-	-	-

**LTE band 71 (15 MHz - QPSK)**

Frequency (MHz)	Measured Level (dB $\mu$ V)	Ant. Pol.	AF (dB/m)	AMP+CL (dB)	E (dB $\mu$ V/m)	CF (dB)	E.R.P. (dB m)	Limit (dB m)	Margin (dB)
Low Channel (670.5 MHz)									
1 327.60	60.52	H	25.10	-39.27	46.35	-97.41	-51.06	-13	38.06
1 327.60	63.22	V	25.10	-39.27	49.05	-97.41	-48.36	-13	35.36
1 991.35	55.25	H	27.67	-37.68	45.24	-97.41	-52.17	-13	39.17
1 991.35	53.18	V	27.67	-37.68	43.17	-97.41	-54.24	-13	41.24
2 655.55	52.86	H	28.69	-36.77	44.78	-97.41	-52.63	-13	39.63
2 655.10	49.91	V	28.69	-36.77	41.83	-97.41	-55.58	-13	42.58
3 318.85	50.39	H	30.66	-37.05	44.00	-97.41	-53.41	-13	40.41
3 261.70	49.93	V	30.47	-37.08	43.32	-97.41	-54.09	-13	41.09
Above 3 300.00	Not detected	-	-	-	-	-	-	-	-
Middle Channel (680.5 MHz)									
1 347.40	61.93	H	25.10	-39.37	47.66	-97.41	-49.75	-13	36.75
1 347.40	62.77	V	25.10	-39.37	48.50	-97.41	-48.91	-13	35.91
2 021.50	52.62	H	27.66	-37.60	42.68	-97.41	-54.73	-13	41.73
2 021.50	52.20	V	27.66	-37.60	42.26	-97.41	-55.15	-13	42.15
2 695.15	53.02	H	28.61	-36.91	44.72	-97.41	-52.69	-13	39.69
2 695.50	51.12	V	28.61	-36.92	42.81	-97.41	-54.60	-13	41.60
3 369.25	49.62	V	30.64	-36.96	43.30	-97.41	-54.11	-13	41.11
Above 3 400.00	Not detected	-	-	-	-	-	-	-	-
High Channel (690.5 MHz)									
1 367.65	62.70	H	25.10	-39.24	48.56	-97.41	-48.85	-13	35.85
1 367.65	63.61	V	25.10	-39.24	49.47	-97.41	<b>-47.94</b>	-13	34.94
2 051.20	54.38	H	27.60	-37.56	44.42	-97.41	-52.99	-13	39.99
2 051.65	52.77	V	27.60	-37.56	42.81	-97.41	-54.60	-13	41.60
2 735.20	57.83	H	28.67	-36.87	49.63	-97.41	-47.78	-13	34.78
2 735.20	54.13	V	28.67	-36.87	45.93	-97.41	-51.48	-13	38.48
3 419.20	51.99	H	30.85	-36.94	45.90	-97.41	-51.51	-13	38.51
3 419.20	50.65	V	30.85	-36.94	44.56	-97.41	-52.85	-13	39.85
Above 3 500.00	Not detected	-	-	-	-	-	-	-	-

**- Antenna 5**

**LTE band 7 (20 MHz - QPSK)**

Frequency (MHz)	Measured Level (dB $\mu$ V)	Ant. Pol.	AF (dB/m)	AMP+CL (dB)	E (dB $\mu$ V/m)	CF (dB)	E.I.R.P. (dB m)	Limit (dB m)	Margin (dB)
Low Channel (2 510.0 MHz)									
7 503.35	55.87	H	35.90	-32.96	58.81	-95.26	-36.45	-25	11.45
7 503.35	54.40	V	35.90	-32.96	57.34	-95.26	-37.92	-25	12.92
10 004.05	51.46	H	37.80	-31.91	57.35	-95.26	-37.91	-25	12.91
10 004.05	50.17	V	37.80	-31.91	56.06	-95.26	-39.20	-25	14.20
Above 10 100.00	Not detected	-	-	-	-	-	-	-	-
Middle Channel (2 535.0 MHz)									
7 578.15	55.95	H	35.90	-32.64	59.21	-95.26	-36.05	-25	11.05
7 578.15	57.30	V	35.90	-32.64	60.56	-95.26	<b>-34.70</b>	-25	9.70
10 104.35	50.95	H	37.81	-31.56	57.20	-95.26	-38.06	-25	13.06
10 104.35	49.99	V	37.81	-31.56	56.24	-95.26	-39.02	-25	14.02
Above 10 200.00	Not detected	-	-	-	-	-	-	-	-
High Channel (2 560.0 MHz)									
7 652.95	49.19	H	35.91	-32.40	52.70	-95.26	-42.56	-25	17.56
7 652.95	52.71	V	35.91	-32.40	56.22	-95.26	-39.04	-25	14.04
10 204.65	44.43	H	37.89	-31.55	50.77	-95.26	-44.49	-25	19.49
10 204.65	46.79	V	37.89	-31.55	53.13	-95.26	-42.13	-25	17.13
Above 10 300.00	Not detected	-	-	-	-	-	-	-	-



**LTE band 12 (5 MHz - QPSK)**

Frequency (MHz)	Measured Level (dB $\mu$ V)	Ant. Pol.	AF (dB/m)	AMP+CL (dB)	E (dB $\mu$ V/m)	CF (dB)	E.R.P. (dB m)	Limit (dB m)	Margin (dB)
Low Channel (701.5 MHz)									
1 398.70	56.29	H	25.10	-39.15	42.24	-97.41	-55.17	-13	42.17
1 398.25	53.96	V	25.10	-39.15	39.91	-97.41	-57.50	-13	44.50
2 098.00	56.97	H	27.50	-37.35	47.12	-97.41	-50.29	-13	37.29
2 098.45	52.86	V	27.50	-37.35	43.01	-97.41	-54.40	-13	41.40
2 796.85	51.69	H	28.89	-36.77	43.81	-97.41	-53.60	-13	40.60
2 797.30	51.88	V	28.89	-36.77	44.00	-97.41	-53.41	-13	40.41
3 496.60	55.33	H	31.10	-36.68	49.75	-97.41	-47.66	-13	34.66
Above 3 500.00	Not detected	-	-	-	-	-	-	-	-
Middle Channel (707.5 MHz)									
1 410.04	54.54	H	25.08	-39.15	40.47	-97.41	-56.94	-13	43.94
1 410.85	56.14	V	25.08	-39.15	42.07	-97.41	-55.34	-13	42.34
2 116.00	54.35	H	27.53	-37.14	44.74	-97.41	-52.67	-13	39.67
2 116.00	54.45	V	27.53	-37.14	44.84	-97.41	-52.57	-13	39.57
2 821.60	52.27	H	29.07	-36.76	44.58	-97.41	-52.83	-13	39.83
3 526.75	50.71	V	31.05	-36.84	44.92	-97.41	-52.49	-13	39.49
3 526.75	55.55	H	31.05	-36.84	49.76	-97.41	<b>-47.65</b>	-13	34.65
Above 3 600.00	Not detected	-	-	-	-	-	-	-	-
High Channel (713.5 MHz)									
1 422.10	52.93	H	25.06	-39.14	38.85	-97.41	-58.56	-13	45.56
1 374.85	51.88	V	25.10	-39.17	37.81	-97.41	-59.60	-13	46.60
2 133.55	55.49	H	27.57	-36.93	46.13	-97.41	-51.28	-13	38.28
2 853.10	49.42	V	29.30	-36.75	41.97	-97.41	-55.44	-13	42.44
2 845.45	53.28	H	29.26	-36.74	45.80	-97.41	-51.61	-13	38.61
3 556.90	54.60	H	31.04	-36.98	48.66	-97.41	-48.75	-13	35.75
Above 3 600.00	Not detected	-	-	-	-	-	-	-	-

**LTE band 13 (5 MHz - QPSK)**

Frequency (MHz)	Measured Level (dB $\mu$ V)	Ant. Pol.	AF (dB/m)	AMP+CL (dB)	E (dB $\mu$ V/m)	CF (dB)	E.R.P. / E.I.R.P. (dB m)	Limit (dB m)	Margin (dB)
Low Channel (779.5 MHz)									
1 554.85	56.60	H	25.32	-38.80	43.12	-95.26	-52.14	-40	12.14
1 554.40	55.62	V	25.32	-38.80	42.14	-95.26	-53.12	-40	13.12
2 332.00	54.99	H	27.80	-36.45	46.34	-97.41	-51.07	-13	38.07
2 331.55	52.99	V	27.80	-36.45	44.34	-97.41	-53.07	-13	40.07
3 109.60	56.28	H	30.02	-36.65	49.65	-97.41	-47.76	-13	34.76
3 109.15	51.05	V	30.02	-36.65	44.42	-97.41	-52.99	-13	39.99
Above 3 200.00	Not detected	-	-	-	-	-	-	-	-
Middle Channel (782.0 MHz)									
1 559.35	56.80	H	25.34	-38.78	43.36	-95.26	-51.90	-40	11.90
1 625.05	53.17	V	25.55	-38.61	40.11	-95.26	-55.15	-40	15.15
2 339.20	51.62	H	27.80	-36.39	43.03	-97.41	-54.38	-13	41.38
2 339.65	51.22	V	27.80	-36.39	42.63	-97.41	-54.78	-13	41.78
3 119.50	53.16	H	30.04	-36.65	46.55	-97.41	-50.86	-13	37.86
3 119.05	51.51	V	30.04	-36.65	44.90	-97.41	-52.51	-13	39.51
Above 3 200.00	Not detected	-	-	-	-	-	-	-	-
High Channel (784.5 MHz)									
1 564.75	58.10	H	25.36	-38.76	44.70	-95.26	<b><u>-50.56</u></b>	-40	10.56
1 564.30	55.33	V	25.36	-38.76	41.93	-95.26	-53.33	-40	13.33
2 346.85	56.11	H	27.80	-36.33	47.58	-97.41	-49.83	-13	36.83
2 346.85	52.43	V	27.80	-36.33	43.90	-97.41	-53.51	-13	40.51
3 129.40	56.64	H	30.06	-36.65	50.05	-97.41	-47.36	-13	34.36
3 128.95	52.55	V	30.06	-36.65	45.96	-97.41	-51.45	-13	38.45
3 911.05	48.04	H	32.18	-35.97	44.25	-97.41	-53.16	-13	40.16
Above 4 000.00	Not detected	-	-	-	-	-	-	-	-

**LTE band 14 (10 MHz - QPSK)**

Frequency (MHz)	Measured Level (dB $\mu$ V)	Ant. Pol.	AF (dB/m)	AMP+CL (dB)	E (dB $\mu$ V/m)	CF (dB)	E.R.P. / E.I.R.P. (dB m)	Limit (dB m)	Margin (dB)
Middle Channel (793.0 MHz)									
1 576.90	55.63	H	25.41	-38.70	42.34	-95.26	<b>-52.92</b>	-40	12.92
1 577.35	55.34	V	25.41	-38.70	42.05	-95.26	-53.21	-40	13.21
2 365.75	54.50	H	27.89	-36.22	46.17	-97.41	-51.24	-13	38.24
2 365.75	53.96	V	27.89	-36.22	45.63	-97.41	-51.78	-13	38.78
3 154.15	54.93	H	30.11	-36.65	48.39	-97.41	-49.02	-13	36.02
3 154.15	53.50	V	30.11	-36.65	46.96	-97.41	-50.45	-13	37.45
3 943.00	49.57	H	32.11	-35.91	45.77	-97.41	-51.64	-13	38.64
Above 4 000.00	Not detected	-	-	-	-	-	-	-	-

**LTE band 25/2 (15 MHz - QPSK)**

Frequency (MHz)	Measured Level (dB $\mu$ V)	Ant. Pol.	AF (dB/m)	AMP+CL (dB)	E (dB $\mu$ V/m)	CF (dB)	E.I.R.P. (dB m)	Limit (dB m)	Margin (dB)
Low Channel (1 857.5 MHz)									
3 701.30	62.38	H	32.10	-36.60	57.88	-95.26	-37.38	-13	24.38
3 701.30	56.08	V	32.10	-36.60	51.58	-95.26	-43.68	-13	30.68
5 552.60	60.48	H	33.90	-34.20	60.18	-95.26	-35.08	-13	22.08
5 552.60	58.67	V	33.90	-34.20	58.37	-95.26	-36.89	-13	23.89
7 403.05	62.85	H	36.00	-32.16	66.69	-95.26	-28.57	-13	15.57
7 403.05	58.09	V	36.00	-32.16	61.93	-95.26	-33.33	-13	20.33
9 254.35	58.26	H	37.21	-32.68	62.79	-95.26	-32.47	-13	19.47
9 254.35	62.11	V	37.21	-32.68	66.64	-95.26	-28.62	-13	15.62
11 104.80	45.40	H	38.20	-30.16	53.44	-95.26	-41.82	-13	28.82
Above 11 200.00	Not detected	-	-	-	-	-	-	-	-
Middle Channel (1 882.5 MHz)									
3 751.45	63.45	H	32.19	-36.86	58.78	-95.26	-36.48	-13	23.48
3 751.45	56.94	V	32.19	-36.86	52.27	-95.26	-42.99	-13	29.99
5 627.40	61.15	H	33.90	-33.52	61.53	-95.26	-33.73	-13	20.73
5 627.40	59.42	V	33.90	-33.52	59.80	-95.26	-35.46	-13	22.46
7 503.35	64.46	H	35.90	-32.96	67.40	-95.26	-27.86	-13	14.86
7 503.35	63.11	V	35.90	-32.96	66.05	-95.26	-29.21	-13	16.21
9 379.30	64.38	H	37.52	-32.41	69.49	-95.26	<b>-25.77</b>	-13	12.77
9 379.30	61.15	V	37.52	-32.41	66.26	-95.26	-29.00	-13	16.00
11 255.25	44.30	H	38.21	-29.88	52.63	-95.26	-42.63	-13	29.63
11 255.25	44.24	V	38.21	-29.88	52.57	-95.26	-42.69	-13	29.69
Above 11 300.00	Not detected	-	-	-	-	-	-	-	-

Frequency (MHz)	Measured Level (dB $\mu$ V)	Ant. Pol.	AF (dB/m)	AMP+CL (dB)	E (dB $\mu$ V/m)	CF (dB)	E.I.R.P. (dB m)	Limit (dB m)	Margin (dB)
High Channel (1 907.5 MHz)									
3 801.60	60.13	H	32.00	-36.63	55.50	-95.26	-39.76	-13	26.76
3 801.60	57.61	V	32.00	-36.63	52.98	-95.26	-42.28	-13	29.28
5 702.20	55.48	H	33.90	-33.56	55.82	-95.26	-39.44	-13	26.44
5 702.20	56.48	V	33.90	-33.56	56.82	-95.26	-38.44	-13	25.44
7 602.80	60.40	H	35.90	-32.62	63.68	-95.26	-31.58	-13	18.58
7 603.65	65.65	V	35.90	-32.62	68.93	-95.26	-26.33	-13	13.33
9 504.25	59.53	H	37.70	-32.44	64.79	-95.26	-30.47	-13	17.47
9 504.25	60.77	V	37.70	-32.44	66.03	-95.26	-29.23	-13	16.23
Above 9 600.00	Not detected	-	-	-	-	-	-	-	-

**LTE band 26/5\_Part 22 (10 MHz - QPSK)**

Frequency (MHz)	Measured Level (dB $\mu$ V)	Ant. Pol.	AF (dB/m)	AMP+CL (dB)	E (dB $\mu$ V/m)	CF (dB)	E.R.P. (dB m)	Limit (dB m)	Margin (dB)
Low Channel (829.0 MHz)									
1 625.50	54.86	H	25.55	-38.61	41.80	-97.41	-55.61	-13	42.61
1 625.50	53.50	V	25.55	-38.61	40.44	-97.41	-56.97	-13	43.97
2 473.75	55.08	H	28.15	-36.82	46.41	-97.41	-51.00	-13	38.00
2 473.75	49.11	V	28.15	-36.82	40.44	-97.41	-56.97	-13	43.97
3 298.15	59.91	H	30.69	-37.11	53.49	-97.41	<b><u>-43.92</u></b>	-13	30.92
3 298.15	56.30	V	30.69	-37.11	49.88	-97.41	-47.53	-13	34.53
Above 3 300.00	Not detected	-	-	-	-	-	-	-	-
Middle Channel (836.5 MHz)									
1 664.20	58.18	H	25.77	-38.67	45.28	-97.41	-52.13	-13	39.13
1 664.20	53.54	V	25.77	-38.67	40.64	-97.41	-56.77	-13	43.77
2 496.25	54.30	H	28.11	-37.16	45.25	-97.41	-52.16	-13	39.16
2 496.25	54.50	V	28.11	-37.16	45.45	-97.41	-51.96	-13	38.96
3 328.30	56.31	H	30.64	-37.03	49.92	-97.41	-47.49	-13	34.49
3 328.30	54.72	V	30.64	-37.03	48.33	-97.41	-49.08	-13	36.08
5 492.80	46.38	H	33.90	-34.31	45.97	-97.41	-51.44	-13	38.44
Above 5 500.00	Not detected	-	-	-	-	-	-	-	-
High Channel (844.0 MHz)									
1 679.05	56.45	H	25.95	-38.68	43.72	-97.41	-53.69	-13	40.69
1 679.05	55.68	V	25.95	-38.68	42.95	-97.41	-54.46	-13	41.46
2 518.75	53.42	H	28.21	-36.94	44.69	-97.41	-52.72	-13	39.72
2 518.75	57.54	V	28.21	-36.94	48.81	-97.41	-48.60	-13	35.60
3 358.45	55.58	H	30.62	-36.97	49.23	-97.41	-48.18	-13	35.18
3 358.45	52.86	V	30.62	-36.97	46.51	-97.41	-50.90	-13	37.90
Above 3 400.00	Not detected	-	-	-	-	-	-	-	-

**LTE band 26\_Part 90 (10 MHz - QPSK)**

Frequency (MHz)	Measured Level (dB $\mu$ V)	Ant. Pol.	AF (dB/m)	AMP+CL (dB)	E (dB $\mu$ V/m)	CF (dB)	E.R.P. (dB m)	Limit (dB m)	Margin (dB)
Middle Channel (819.0 MHz)									
1 629.10	54.18	H	25.56	-38.62	41.12	-97.41	-56.29	-13	43.29
1 629.10	56.15	V	25.56	-38.62	43.09	-97.41	-54.32	-13	41.32
2 443.60	55.05	H	28.19	-36.33	46.91	-97.41	-50.50	-13	37.50
2 443.60	50.78	V	28.19	-36.33	42.64	-97.41	-54.77	-13	41.77
3 258.10	55.96	H	30.45	-37.07	49.34	-97.41	<b><u>-48.07</u></b>	-13	35.07
3 258.10	53.72	V	30.45	-37.07	47.10	-97.41	-50.31	-13	37.31
4 073.05	48.87	H	31.90	-36.37	44.40	-97.41	-53.01	-13	40.01
Above 4 100.00	Not detected	-	-	-	-	-	-	-	-

**LTE band 66/4 (15 MHz - QPSK)**

Frequency (MHz)	Measured Level (dB $\mu$ V)	Ant. Pol.	AF (dB/m)	AMP+CL (dB)	E (dB $\mu$ V/m)	CF (dB)	E.I.R.P. (dB m)	Limit (dB m)	Margin (dB)
Low Channel (1 717.5 MHz)									
3 421.65	57.73	H	30.87	-36.93	51.67	-95.26	-43.59	-13	30.59
3 421.65	53.76	V	30.87	-36.93	47.70	-95.26	-47.56	-13	34.56
5 132.70	55.39	H	33.27	-35.46	53.20	-95.26	-42.06	-13	29.06
5 132.70	52.68	V	33.27	-35.46	50.49	-95.26	-44.77	-13	31.77
6 843.75	50.96	H	35.29	-33.87	52.38	-95.26	-42.88	-13	29.88
6 842.90	54.69	V	35.29	-33.86	56.12	-95.26	-39.14	-13	26.14
8 554.80	50.98	H	36.51	-33.54	53.95	-95.26	-41.31	-13	28.31
8 553.95	54.42	V	36.51	-33.54	57.39	-95.26	-37.87	-13	24.87
10 265.00	48.11	H	37.80	-31.27	54.64	-95.26	-40.62	-13	27.62
10 265.00	49.62	V	37.80	-31.27	56.15	-95.26	-39.11	-13	26.11
Above 10 300.00	Not detected	-	-	-	-	-	-	-	-
Middle Channel (1 745.0 MHz)									
3 476.05	63.00	H	31.10	-36.78	57.32	-95.26	-37.94	-13	24.94
3 476.05	56.74	V	31.10	-36.78	51.06	-95.26	-44.20	-13	31.20
5 215.15	52.63	H	33.53	-35.13	51.03	-95.26	-44.23	-13	31.23
5 214.30	52.00	V	33.53	-35.13	50.40	-95.26	-44.86	-13	31.86
6 953.40	51.71	H	35.41	-33.18	53.94	-95.26	-41.32	-13	28.32
6 953.40	50.46	V	35.41	-33.18	52.69	-95.26	-42.57	-13	29.57
8 691.65	50.30	H	36.87	-34.29	52.88	-95.26	-42.38	-13	29.38
8 691.65	51.31	V	36.87	-34.29	53.89	-95.26	-41.37	-13	28.37
10 430.75	44.63	H	37.80	-31.14	51.29	-95.26	-43.97	-13	30.97
10 429.90	44.80	V	37.80	-31.14	51.46	-95.26	-43.80	-13	30.80
Above 10 500.00	Not detected	-	-	-	-	-	-	-	-



Frequency (MHz)	Measured Level (dB $\mu$ V)	Ant. Pol.	AF (dB/m)	AMP+CL (dB)	E (dB $\mu$ V/m)	CF (dB)	E.I.R.P. (dB m)	Limit (dB m)	Margin (dB)
High Channel (1 772.5 MHz)									
3 531.30	64.76	H	31.04	-36.88	58.92	-95.26	-36.34	-13	23.34
3 531.30	58.95	V	31.04	-36.88	53.11	-95.26	-42.15	-13	29.15
5 297.60	51.34	H	33.79	-34.80	50.33	-95.26	-44.93	-13	31.93
5 297.60	51.75	V	33.79	-34.80	50.74	-95.26	-44.52	-13	31.52
7 069.05	52.83	H	35.54	-33.09	55.28	-95.26	-39.98	-13	26.98
7 063.90	57.01	V	35.53	-33.09	59.45	-95.26	<b><u>-35.81</u></b>	-13	22.81
8 829.35	53.58	H	37.16	-32.94	57.80	-95.26	-37.46	-13	24.46
8 829.35	52.21	V	37.16	-32.94	56.43	-95.26	-38.83	-13	25.83
10 594.80	45.22	H	37.79	-30.78	52.23	-95.26	-43.03	-13	30.03
10 595.65	43.97	V	37.79	-30.78	50.98	-95.26	-44.28	-13	31.28
Above 10 600.00	Not detected	-	-	-	-	-	-	-	-

**LTE band 71 (15 MHz - QPSK)**

Frequency (MHz)	Measured Level (dB $\mu$ V)	Ant. Pol.	AF (dB/m)	AMP+CL (dB)	E (dB $\mu$ V/m)	CF (dB)	E.R.P. (dB m)	Limit (dB m)	Margin (dB)
Low Channel (670.5 MHz)									
1 327.60	61.03	H	25.10	-39.27	46.86	-97.41	-50.55	-13	37.55
1 327.60	58.06	V	25.10	-39.27	43.89	-97.41	-53.52	-13	40.52
1 990.90	54.53	H	27.66	-37.68	44.51	-97.41	-52.90	-13	39.90
1 991.35	55.98	V	27.67	-37.68	45.97	-97.41	-51.44	-13	38.44
Above 2 000.00	Not detected	-	-	-	-	-	-	-	-
Middle Channel (680.5 MHz)									
1 347.40	60.08	H	25.10	-39.37	45.81	-97.41	-51.60	-13	38.60
1 347.40	58.36	V	25.10	-39.37	44.09	-97.41	-53.32	-13	40.32
2 021.50	52.82	H	27.66	-37.60	42.88	-97.41	-54.53	-13	41.53
2 021.05	56.38	V	27.66	-37.60	46.44	-97.41	-50.97	-13	37.97
3 049.75	49.96	V	30.10	-36.89	43.17	-97.41	-54.24	-13	41.24
3 368.80	50.27	H	30.64	-36.96	43.95	-97.41	-53.46	-13	40.46
Above 3 400.00	Not detected	-	-	-	-	-	-	-	-
High Channel (690.5 MHz)									
1 367.65	58.73	H	25.10	-39.24	44.59	-97.41	-52.82	-13	39.82
1 367.65	61.33	V	25.10	-39.24	47.19	-97.41	-50.22	-13	37.22
2 051.20	54.92	H	27.60	-37.56	44.96	-97.41	-52.45	-13	39.45
2 051.65	57.64	V	27.60	-37.56	47.68	-97.41	<b>-49.73</b>	-13	36.73
2 735.20	53.27	H	28.67	-36.87	45.07	-97.41	-52.34	-13	39.34
2 735.65	50.73	V	28.67	-36.87	42.53	-97.41	-54.88	-13	41.88
3 419.20	49.65	H	30.85	-36.94	43.56	-97.41	-53.85	-13	40.85
Above 3 500.00	Not detected	-	-	-	-	-	-	-	-

**Remark;**

1. AF = Antenna Factor, CL = Cable Loss, CF = Conversion Factor.
2. E (dB $\mu$ V/m) = Measured Level (dB $\mu$ V) + Antenna Factor (dB/m) + AMP (dB) + Cable Loss (dB).
3. E.I.R.P. (dB m) = E (dB $\mu$ V/m) + CF (dB).
4. E.R.P. (dB m) = E (dB $\mu$ V/m) + CF (dB) - 2.15 (dB); where E.R.P. and E.I.R.P. are expressed in consistent units.
5. CF (dB) = 20 log D - 104.8; where D is the measurement distance in meters, According to KDB 971168 D01 v03r01 5.8.4.
6. The frequency spectrum is examined from 9 kHz to the 10<sup>th</sup> harmonic of the fundamental frequency of the transmitter. No other spurious and harmonic emissions were reported greater than listed emissions above table.

### 3. Conducted Output Power

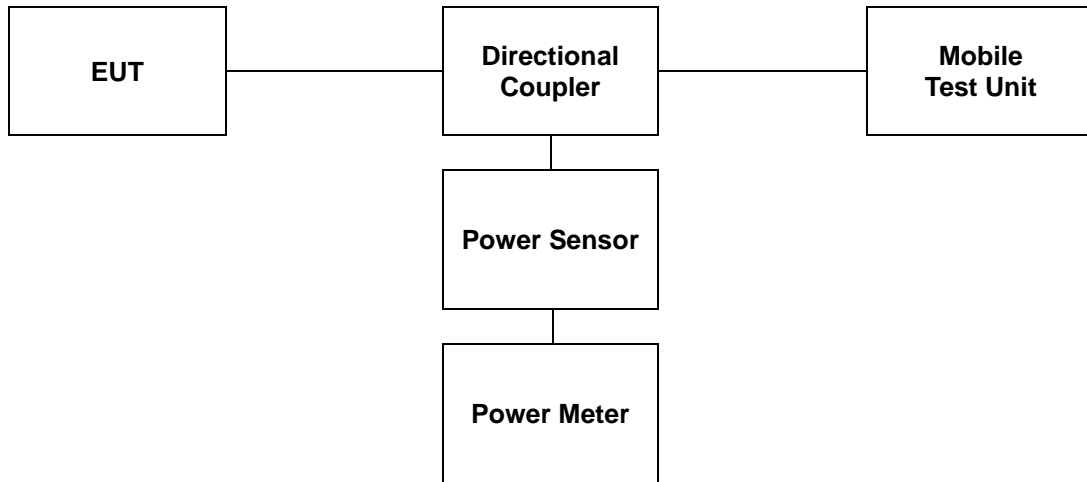
#### 3.1. Limit

CFR 47, Section FCC §2.1046 and IC RSS-Gen Issue 5 6.12.

#### 3.2. Test Procedure

Output power shall be measured at the RF output terminals for all configurations.

1. The RF output of the transmitter was connected to the input of the mobile test unit in order to establish communication with the EUT.
2. The EUT was set up for the max. output power with pseudo random data modulation by using mobile test unit parameters.
3. The measurement performed using a wideband RF power meter.
4. This EUT was tested under all configurations and the highest power was investigated and reported.



### 3.3. Test Result

Ambient temperature : (23 ± 1) °C  
 Relative humidity : 47 % R.H.

LTE Band 7									
Bandwidth (MHz)	Modulation	RB Size	RB Offset	Conducted Output Power					
				20775 (2 502.5 MHz)		21100 (2 535.0 MHz)		21425 (2 567.5 MHz)	
				(dB m)	(W)	(dB m)	(W)	(dB m)	(W)
5	QPSK	1	0	22.19	0.166	22.34	0.171	<b>22.47</b>	<b>0.177</b>
		1	12	22.22	0.167	22.36	0.172	22.44	0.175
		1	24	22.21	0.166	22.35	0.172	22.45	0.176
		12	0	21.26	0.134	21.63	0.146	21.46	0.140
		12	6	21.43	0.139	21.63	0.146	21.59	0.144
		12	13	21.37	0.137	21.66	0.147	21.63	0.146
	25	0	21.35	0.136	21.64	0.146	21.46	0.140	
	16QAM	1	0	21.36	0.137	21.64	0.146	21.76	0.150
		1	12	21.43	0.139	21.69	0.148	21.79	0.151
		1	24	21.47	0.140	21.67	0.147	<b>21.89</b>	<b>0.155</b>
		12	0	20.30	0.107	20.66	0.116	20.80	0.120
		12	6	20.40	0.110	20.66	0.116	20.97	0.125
		12	13	20.37	0.109	20.64	0.116	20.86	0.122
	25	0	20.35	0.108	20.65	0.116	20.81	0.121	
	64QAM	1	0	20.39	0.109	20.67	0.117	20.82	0.121
		1	12	20.42	0.110	20.70	0.117	<b>20.84</b>	<b>0.121</b>
		1	24	20.46	0.111	20.67	0.117	20.78	0.120
		12	0	19.36	0.086	19.63	0.092	19.76	0.095
12		6	19.42	0.087	19.62	0.092	19.85	0.097	
12		13	19.41	0.087	19.63	0.092	19.85	0.097	
25	0	19.39	0.087	19.63	0.092	19.80	0.095		

LTE Band 7									
Bandwidth (MHz)	Modulation	RB Size	RB Offset	Conducted Output Power					
				20800 (2 505.0 MHz)		21100 (2 535.0 MHz)		21400 (2 565.0 MHz)	
				(dB m)	(W)	(dB m)	(W)	(dB m)	(W)
10	QPSK	1	0	22.23	0.167	<b>22.81</b>	<b>0.191</b>	22.54	0.179
		1	25	22.09	0.162	22.67	0.185	22.47	0.177
		1	49	22.05	0.160	22.66	0.185	22.46	0.176
		25	0	22.24	0.167	21.93	0.156	21.61	0.145
		25	12	22.29	0.169	21.89	0.155	21.62	0.145
		25	25	22.26	0.168	21.85	0.153	21.66	0.147
	50	0	21.34	0.136	21.87	0.154	21.63	0.146	
	16QAM	1	0	21.39	0.138	<b>22.01</b>	<b>0.159</b>	21.82	0.152
		1	25	21.37	0.137	22.00	0.158	21.79	0.151
		1	49	21.27	0.134	21.84	0.153	21.77	0.150
		25	0	21.25	0.133	20.91	0.123	20.66	0.116
		25	12	21.24	0.133	20.87	0.122	20.66	0.116
		25	25	21.25	0.133	20.88	0.122	20.65	0.116
	50	0	20.31	0.107	20.86	0.122	20.65	0.116	
	64QAM	1	0	20.35	0.108	<b>20.93</b>	<b>0.124</b>	20.88	0.122
		1	25	20.30	0.107	20.89	0.123	20.80	0.120
		1	49	20.37	0.109	20.89	0.123	20.82	0.121
		25	0	20.25	0.106	19.90	0.098	19.67	0.093
25		12	20.29	0.107	19.85	0.097	19.69	0.093	
25		25	20.34	0.108	19.87	0.097	19.69	0.093	
50	0	19.34	0.086	19.90	0.098	19.67	0.093		