

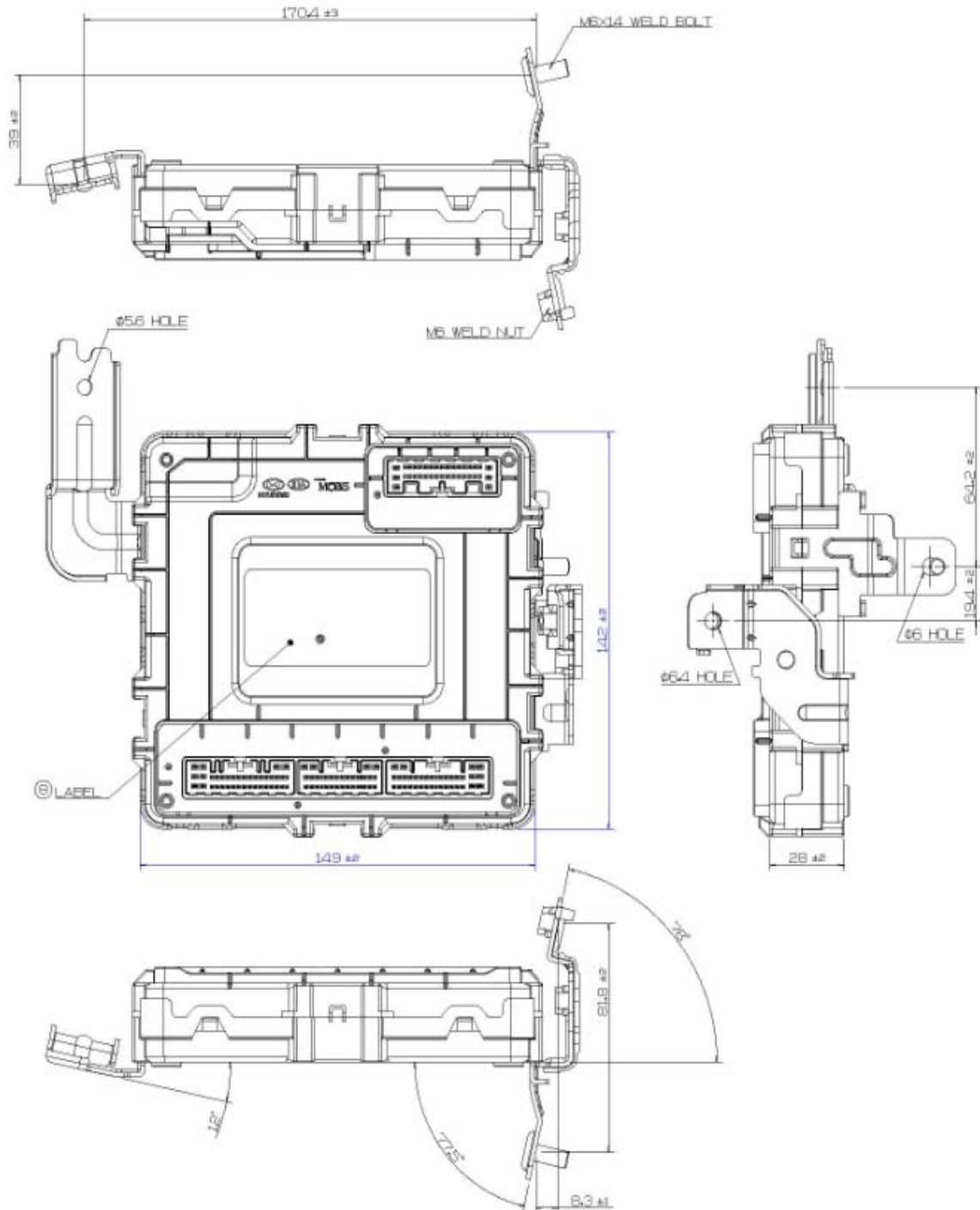
# Outline of SMART KEY ECU

Model: IBU-4E10

The SMART KEY ECU is a part of START-STOP BUTTON SYSTEM.

It is possible to output the LF(125kHz) signal by pushing the button of door handle and SSB.

If the button of door handle or SSB button is pressed, SMART KEY ECU output the LF(125kHz) signal.



Hyundai MOBIS

## **FCC Notice**

Caution: Any changes or modifications to this device not explicitly approved by manufacturer could avoid your authority to operate this equipment.

## **ISED Notice**

This device contains licence-exempt transmitter(s)/receiver(s) that comply with Innovation, Science and Economic Development Canada's licence-exempt RSS(s). Operation is subject to the following two conditions:

1. This device may not cause interference.
2. This device must accept any interference, including interference that may cause undesired operation of the device.

L'émetteur/récepteur exempt de licence contenu dans le présent appareil est conforme aux CNR d'Innovation, Sciences et Développement économique Canada applicables aux appareils radio exempts de licence. L'exploitation est autorisée aux deux conditions suivantes :

1. L'appareil ne doit pas produire de brouillage;
2. L'appareil doit accepter tout brouillage radioélectrique subi, même si le brouillage est susceptible d'en compromettre le fonctionnement.

This equipment complies with ISED radiation exposure limits set forth for an uncontrolled environment. Cet appareil est conforme aux limites d'exposition aux rayonnements de l'ISDE pour un environnement non contrôlé.