

USER MANUAL FOR BODY CONTROL UNIT

Model name: BCM-E44

1. GENERAL DISCRIPTION

Type name for application	: IBU(-SMK)
Rated voltage	: DC 12V
Operation voltage range	: DC 9V – DC 16V
Operation environment	: -30°C ~ +75°C , max. humidity 95%
Power consumption	: below than 5.5mA

Technical description of alarm function

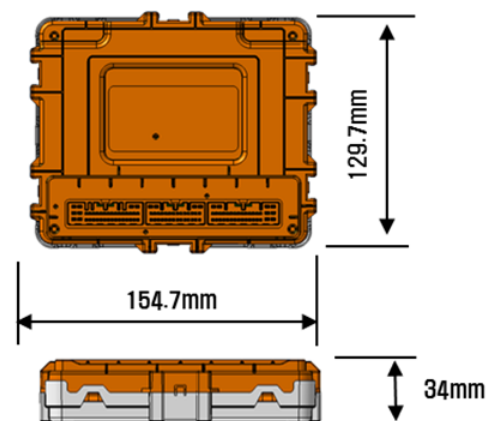
This device is designed to vehicle Burglar alarm by the burglar alarm signal.

The IBU(-SMK) is controlled door actuator by the Transmitter.

The IBU(-SMK) is reset burglar alarm then receive transmitter signal and

To key holder have car key during 30second over

* This device was evaluated for RF exposure at 10cm distance in accordance with RSS-102 and SPR-002 regulation.



FCC Warning

This equipment has been tested and found to comply with the limits for a Class B digital device, pursuant to part 15 of the FCC Rules. These limits are designed to provide reasonable protection against harmful interference in a residential installation. This equipment generates, uses and can radiate radio frequency energy and, if not installed and used in accordance with the instructions, may cause harmful interference to radio communications. However, there is no guarantee that interference will not occur in a particular installation. If this equipment does cause harmful interference to radio or television reception, which can be determined by turning the equipment off and on, the user is encouraged to try to correct the interference by one or more of the following measures:

- Reorient or relocate the receiving antenna.
- Increase the separation between the equipment and receiver.
- Connect the equipment into an outlet on a circuit different from that to which the receiver is connected.
- Consult the dealer or an experienced radio/TV technician for help.

Caution: Any changes or modifications to this device not explicitly approved by manufacturer could void your authority to operate this equipment.

This device complies with part 15 of the FCC Rules. Operation is subject to the following two conditions:

(1) This device may not cause harmful interference, and (2) this device must accept any interference received, including interference that may cause undesired operation.

IC Warning

"This device complies with Industry Canada licence-exempt RSS standard(s)."

Operation is subject to the following conditions: (1) this device may not cause interference, and (2) this device must accept any interference, including interference that may cause undesired operation of the device.

Le présent appareil est conforme aux CNR d'Industrie Canada applicables aux appareils radio exempts de licence. L'exploitation est autorisée aux deux conditions suivantes : (1) l'appareil ne doit pas provoquer de brouillage, et (2) l'appareil doit accepter tout brouillage radioélectrique subi, même si le brouillage est susceptible d'en compromettre le fonctionnement.