

▶ Model difference information

| FCC ID | Model | RF specification | etc |
|---------------|-----------|-----------------------------------|-----------------------|
| TQ8-ATC40S9AN | ATC40S9AN | BT, WLAN(2.4GHz, 5GHz), LTE/WCDMA | Certified(10/29/2018) |
| TQ8-ATB40S9AN | ATB40S9AN | BT, WLAN(2.4GHz, 5GHz), LTE/WCDMA | Re-use data |

*The difference between ATC40S9AN and ATB40S9AN.

-ATC40S9AN

: External Audio AMP.

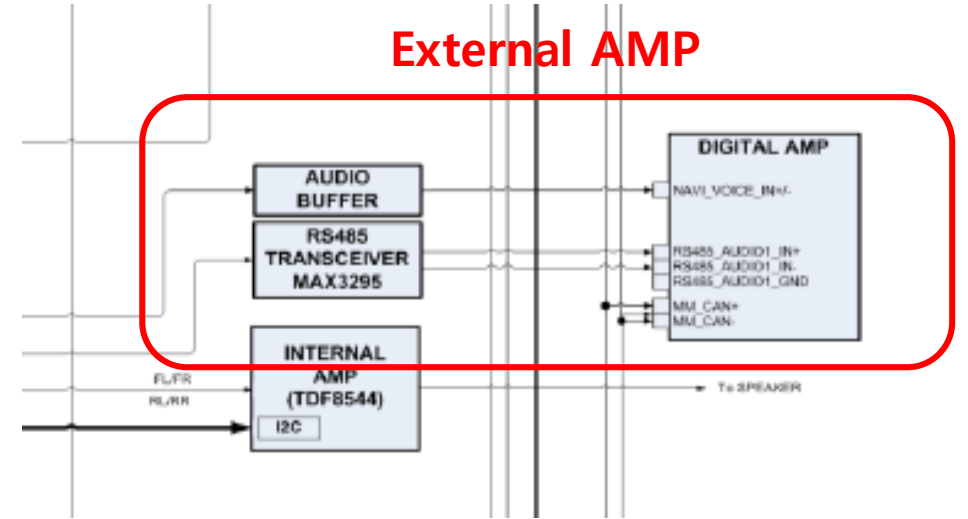
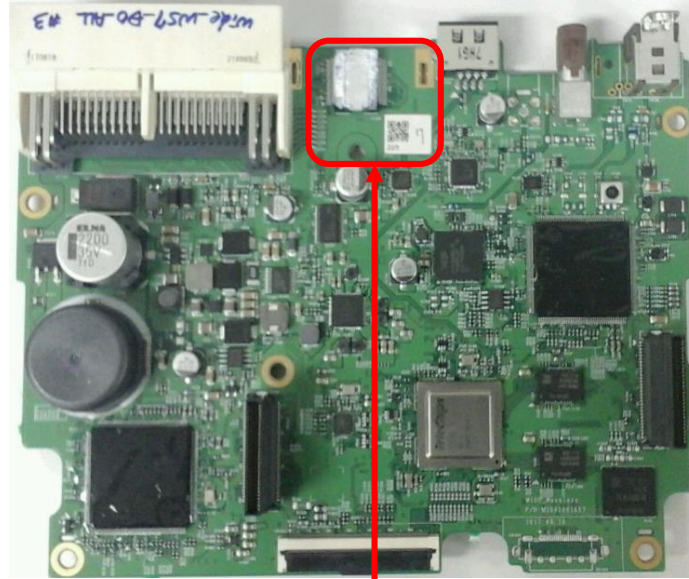
-ATB40S9AN

: Internal Audio AMP.

• Hardware PCB layout

1) ATC40S9AN

-External Audio AMP



2) ATB40S9AN

-Internal Audio AMP

