

6

5

4

3

2

1

D

D

C

C


B

B

A

A

# SpeedPRO/ChipMax-II

		Document Number	SPB-010001-CE
TITLE: SpeedPRO/ChipMax-II			
SIZE: A3	SUB TITLE		REV: 1.5
DATE:	2005. 11. 30	SHEET: 1 OF 17	

6

5

4

3

2

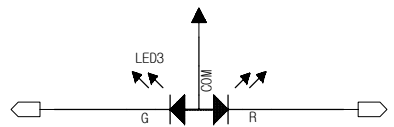
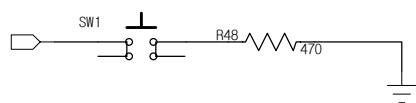
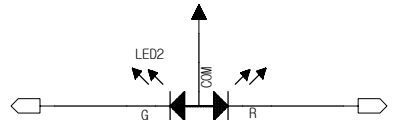
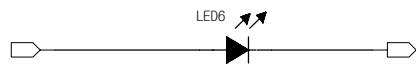
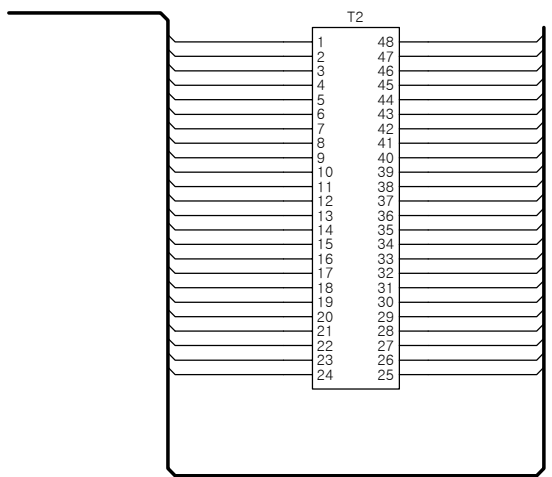
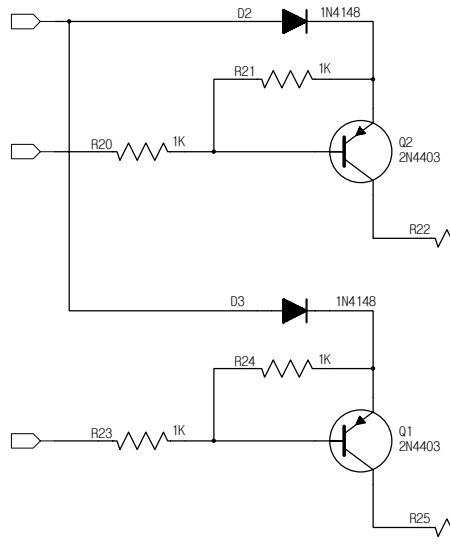
1


D

C

B

A



		Document Number <b>SPB-010001-CE</b>
TITLE: <b>SpeedPRO/ChipMax-II</b>		
SIZE: A3	SUB TITLE	REV: 1.5
DATE::	2005. 11. 30	SHEET: 2 OF 17

D

C

B

A

6

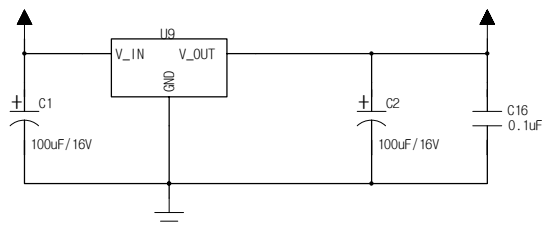
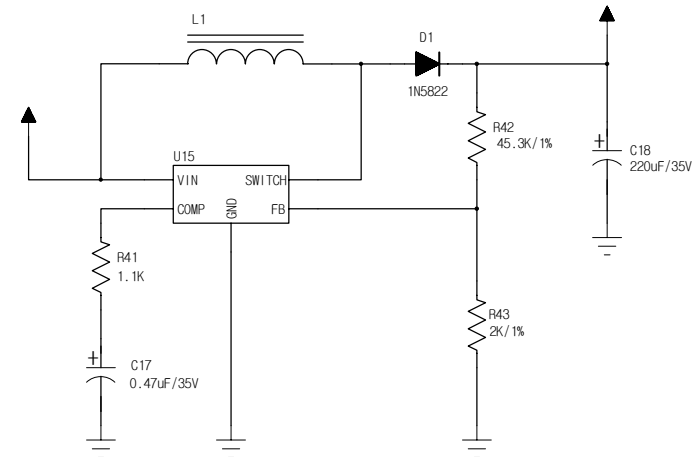
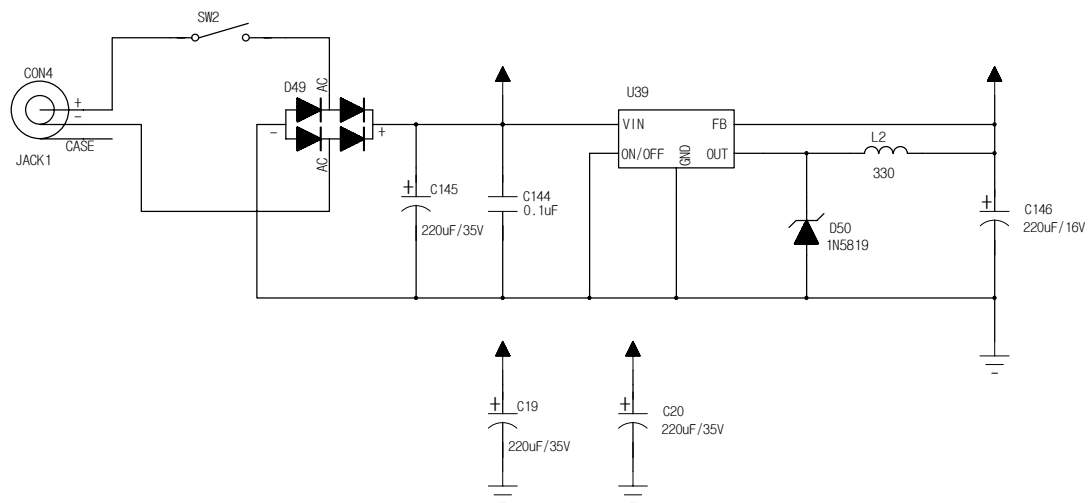
5


4

3

2

1



		Document Number <b>SPB-010001-CE</b>
<b>SpeedPRO/ChipMax-II</b>		
TITLE: <b>SpeedPRO/ChipMax-II</b>	SUB TITLE	REV: <b>1.5</b>
SIZE: <b>A3</b>	DATE:: 2005. 11. 30	SHEET: 3 OF 17

D

C

B

A

6

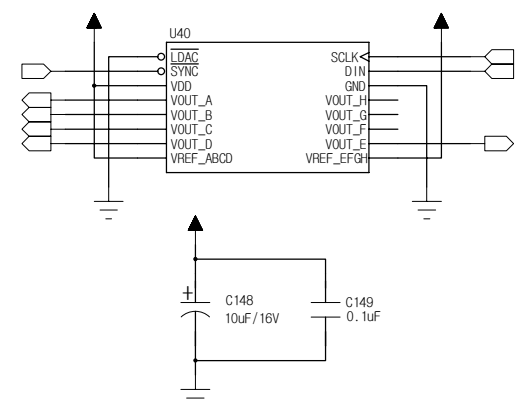
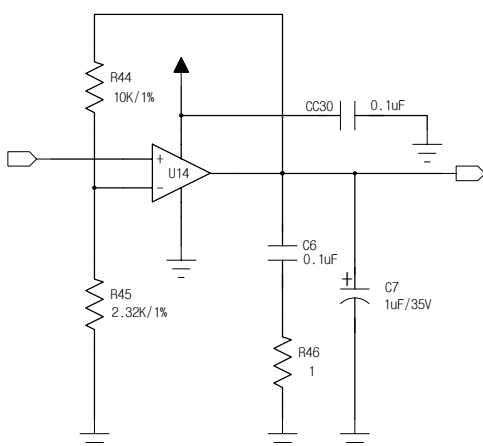
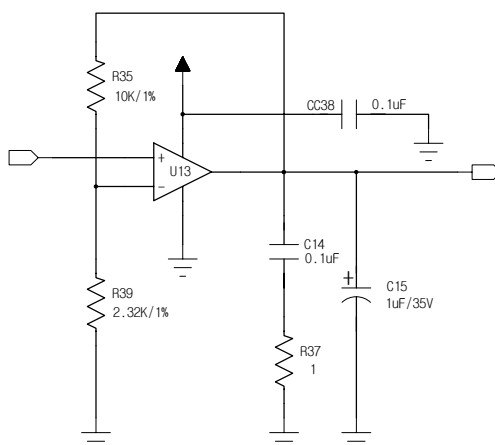
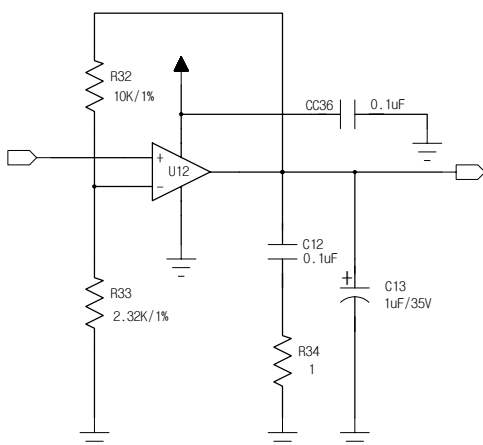
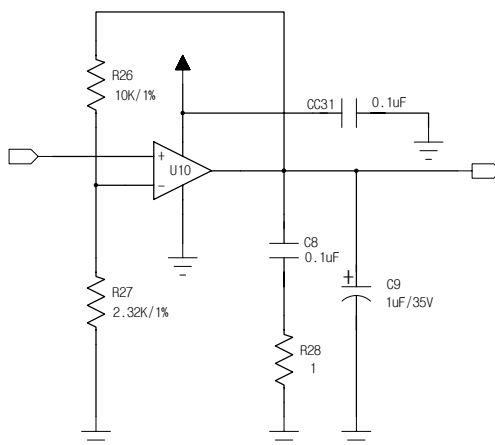
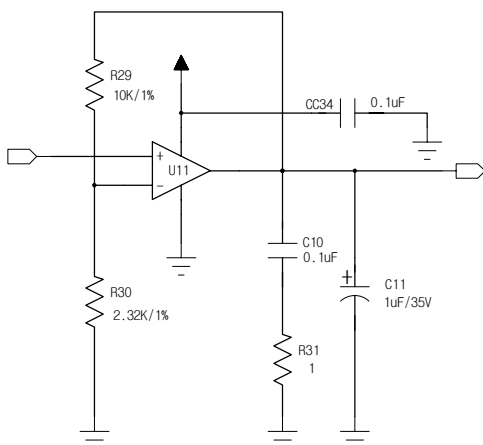
5

4

3

2

1



Document Number		SPB-010001-CE	
TITLE: SpeedPRO/ChipMax-II			
SIZE: A3	SUB TITLE		REV: 1.5
DATE::	2005. 11. 30	SHEET: 4 OF 17	

D

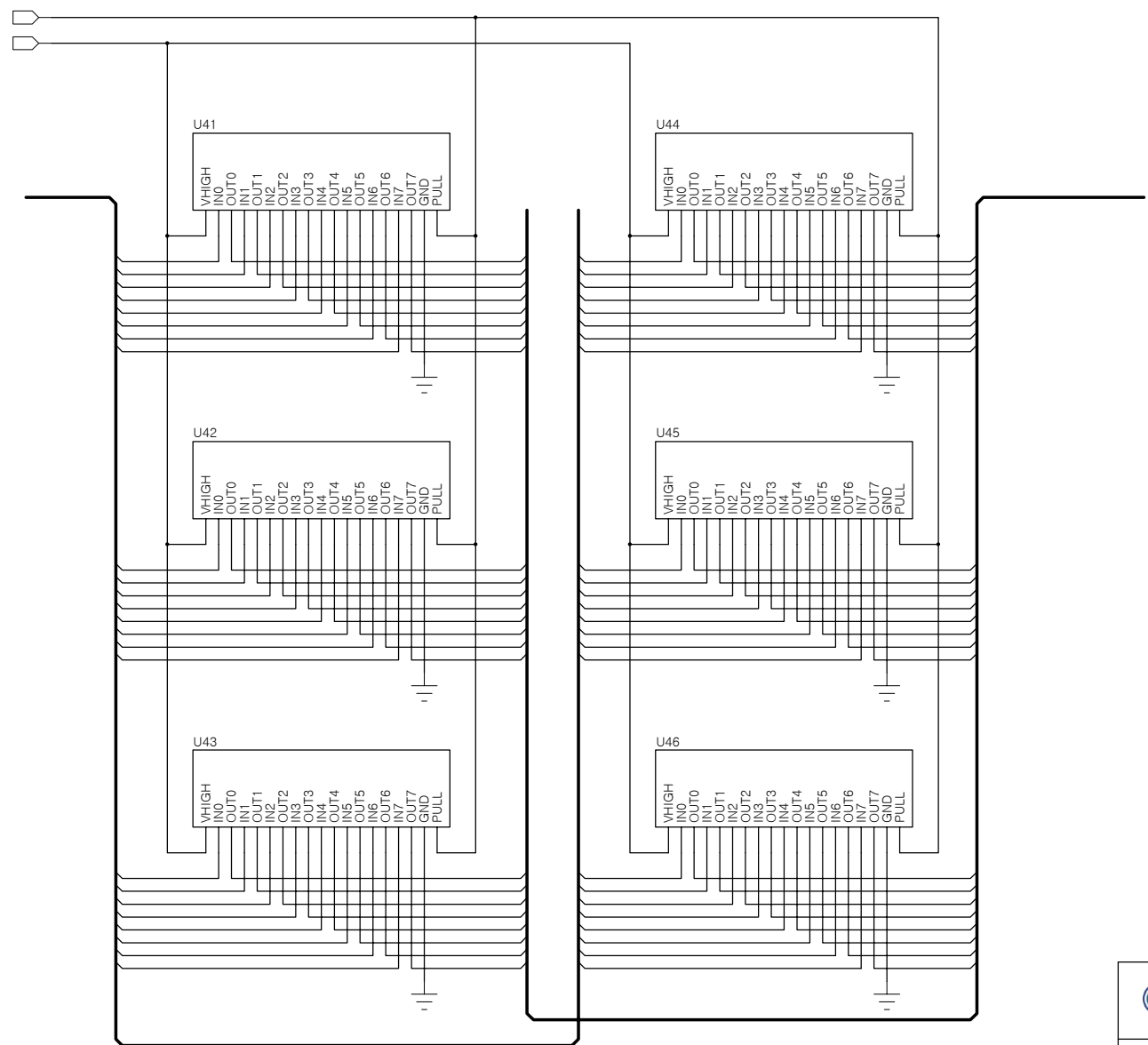
C


B

A

D  
C  
B  
A

6 5 4 3 2 1



		Document Number	SPB-010001-CE
TITLE: SpeedPRO/ChipMax-II			
SIZE: A3	SUB TITLE		REV: 1.5
DATE::	2005. 11. 30	SHEET: 5 OF 17	

D  
C  
B  
A

6

5

4

3

2

1

D

C

B

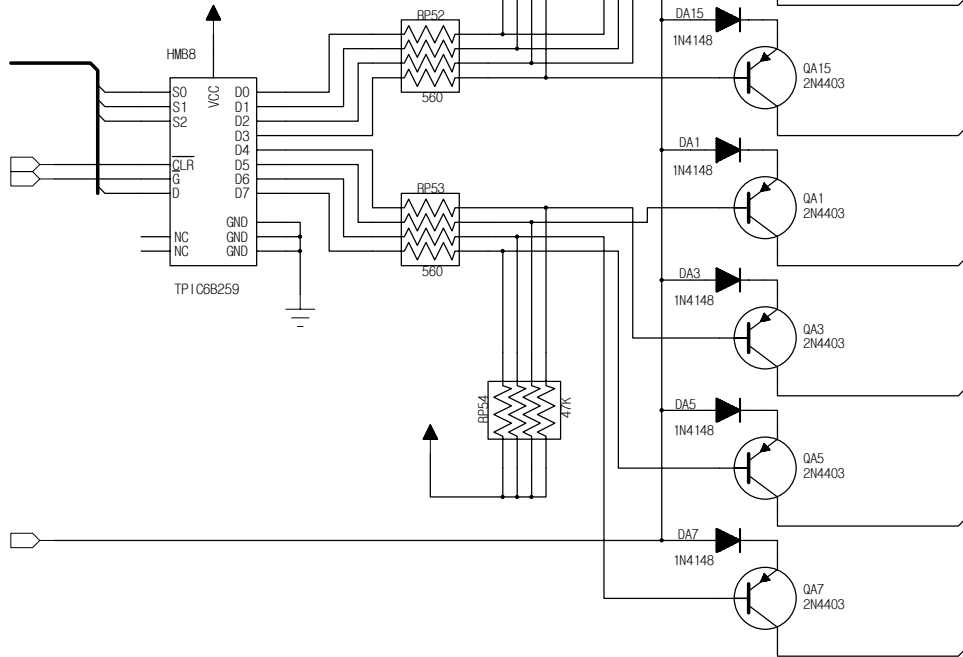
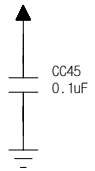
A

D

C

B

A



		Document Number <b>SPB-010001-CE</b>
TITLE: <b>SpeedPRO/ChipMax-II</b>		
SIZE: <b>A3</b>	SUB TITLE	REV: <b>1.5</b>
DATE::	2005. 11. 30	SHEET: 6 OF 17

6

5

4

3

2

1

D

C

B

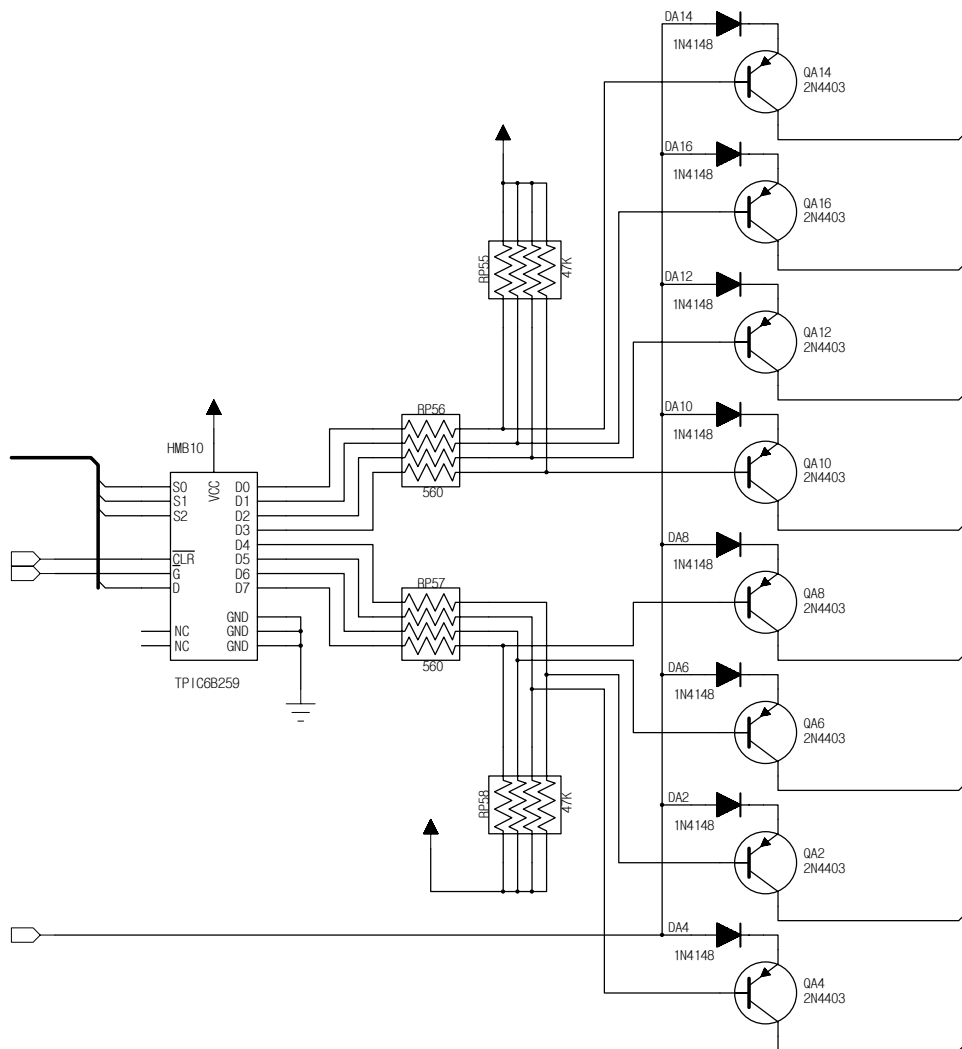
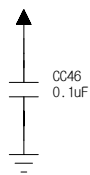
A


D

C

B

A



		Document Number <b>SPB-010001-CE</b>
<b>TITLE: SpeedPRO/ChipMax-II</b>		
SIZE: <b>A3</b>	SUB TITLE	REV: <b>1.5</b>
DATE::	2005. 11. 30	SHEET: 7 OF 17

6

5

4

3

2

1

D

D

C

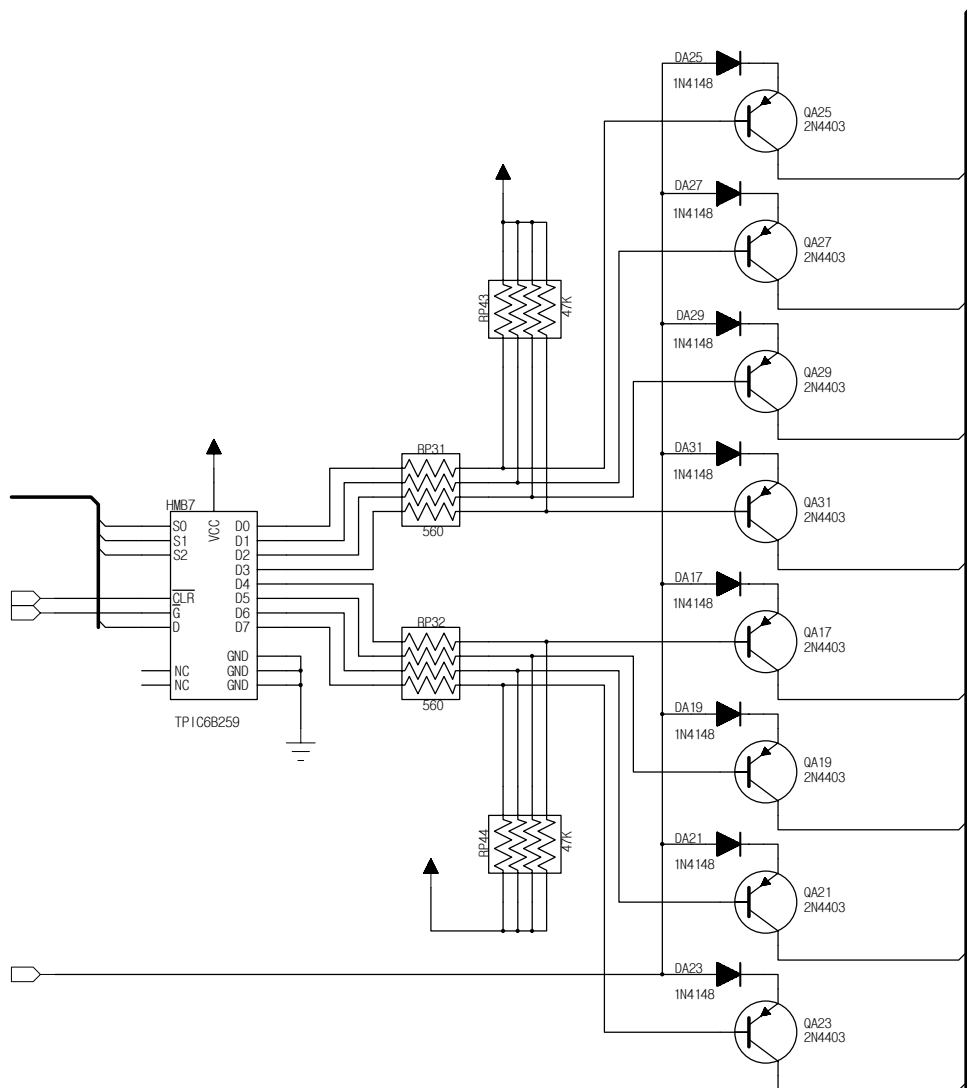
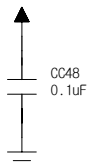
C


B

B

A

A



		Document Number <b>SPB-010001-CE</b>
TITLE: <b>SpeedPRO/ChipMax-II</b>		
SIZE: <b>A3</b>	SUB TITLE	REV: <b>1.5</b>
DATE::	2005. 11. 30	SHEET: 8 OF 17



6

5

4

3

2

1

D

C

B

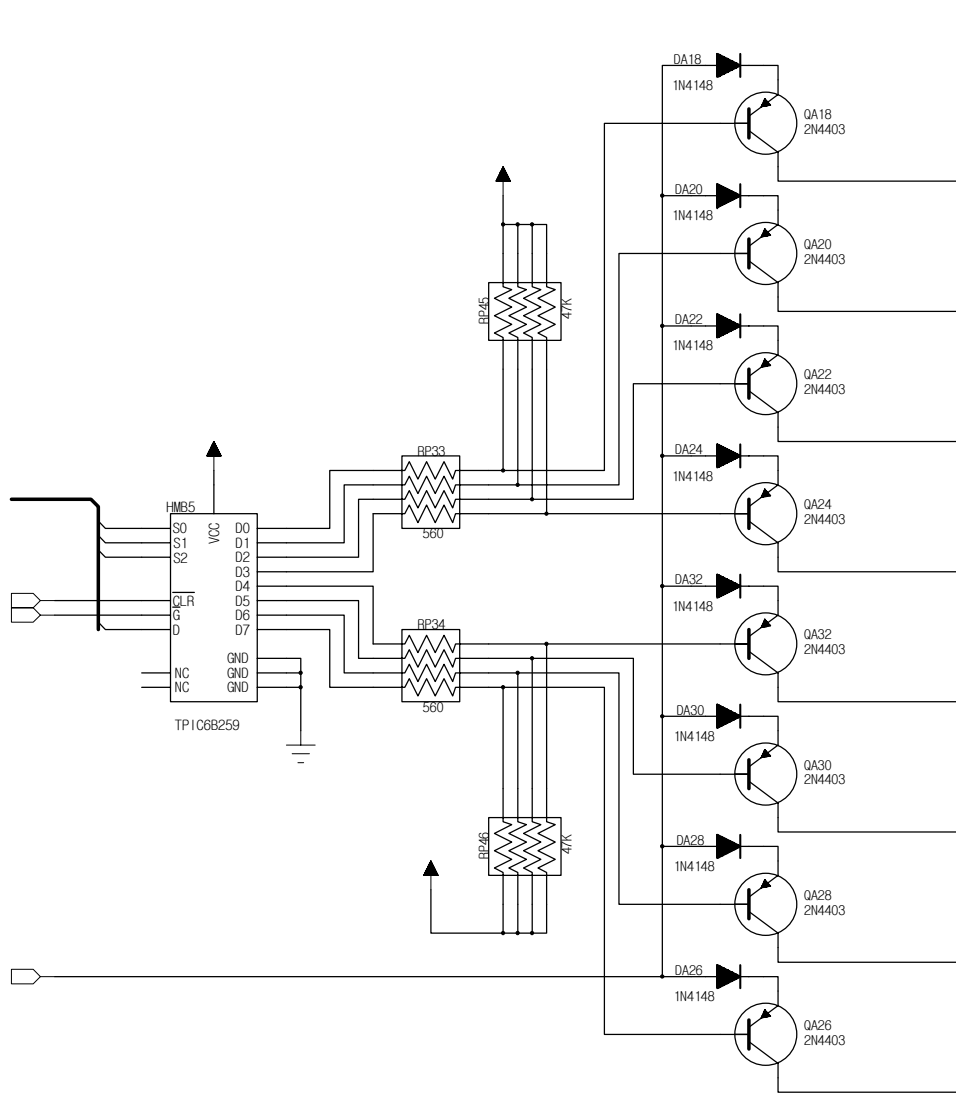
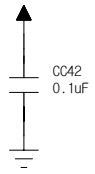
A


D

C

B

A



		Document Number <b>SPB-010001-CE</b>
TITLE: <b>SpeedPRO/ChipMax-II</b>		
SIZE: <b>A3</b>	SUB TITLE	REV: <b>1.5</b>
DATE::	2005. 11. 30	SHEET: 9 OF 17

6

5

4

3

2

1

D

D

C

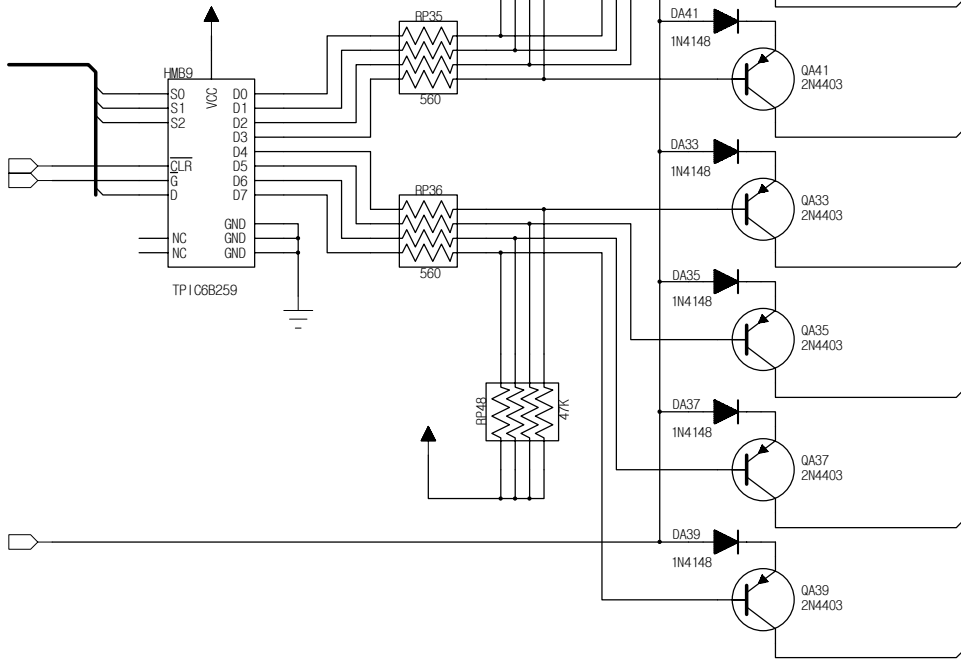
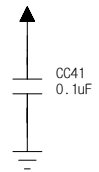
C


B

B

A

A



 Document Number		<b>SPB-010001-CE</b>	
TITLE: <b>SpeedPRO/ChipMax-II</b>			
SIZE: A3	SUB TITLE		REV: 1.5
DATE::	2005. 11. 30	SHEET: 10 OF 17	

6

5

4

3

2

1

D

D

C

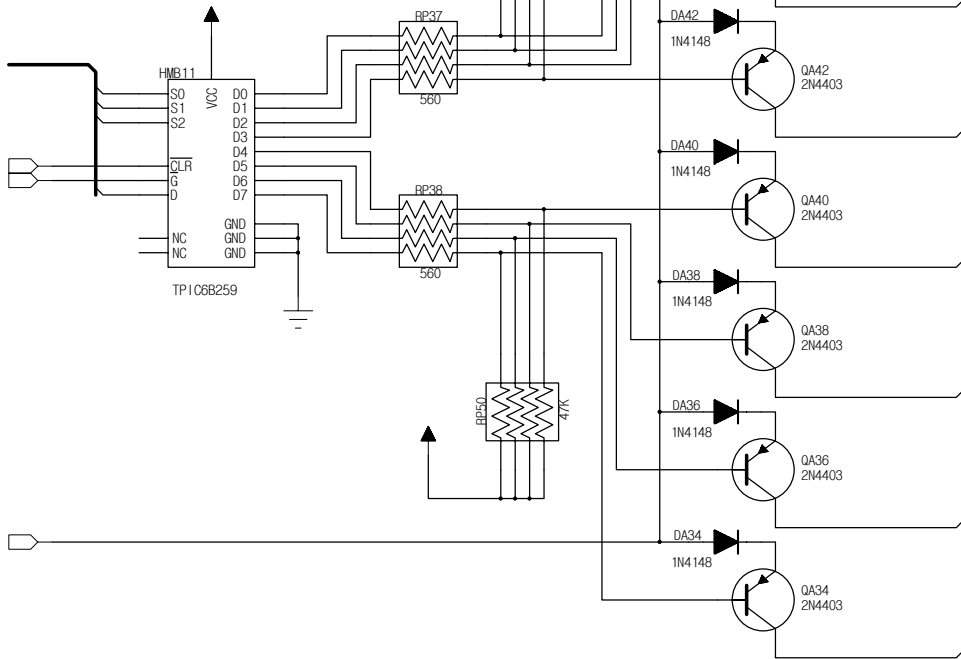
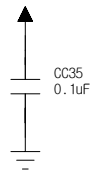
C


B

B

A

A



 Document Number <b>SPB-010001-CE</b>	
TITLE: <b>SpeedPRO/ChipMax-II</b>	
SIZE: <b>A3</b>	SUB TITLE
DATE:: 2005. 11. 30	REV: <b>1.5</b>
SHEET: 11 OF 17	

6

5

4

3

2

1

D

D

C

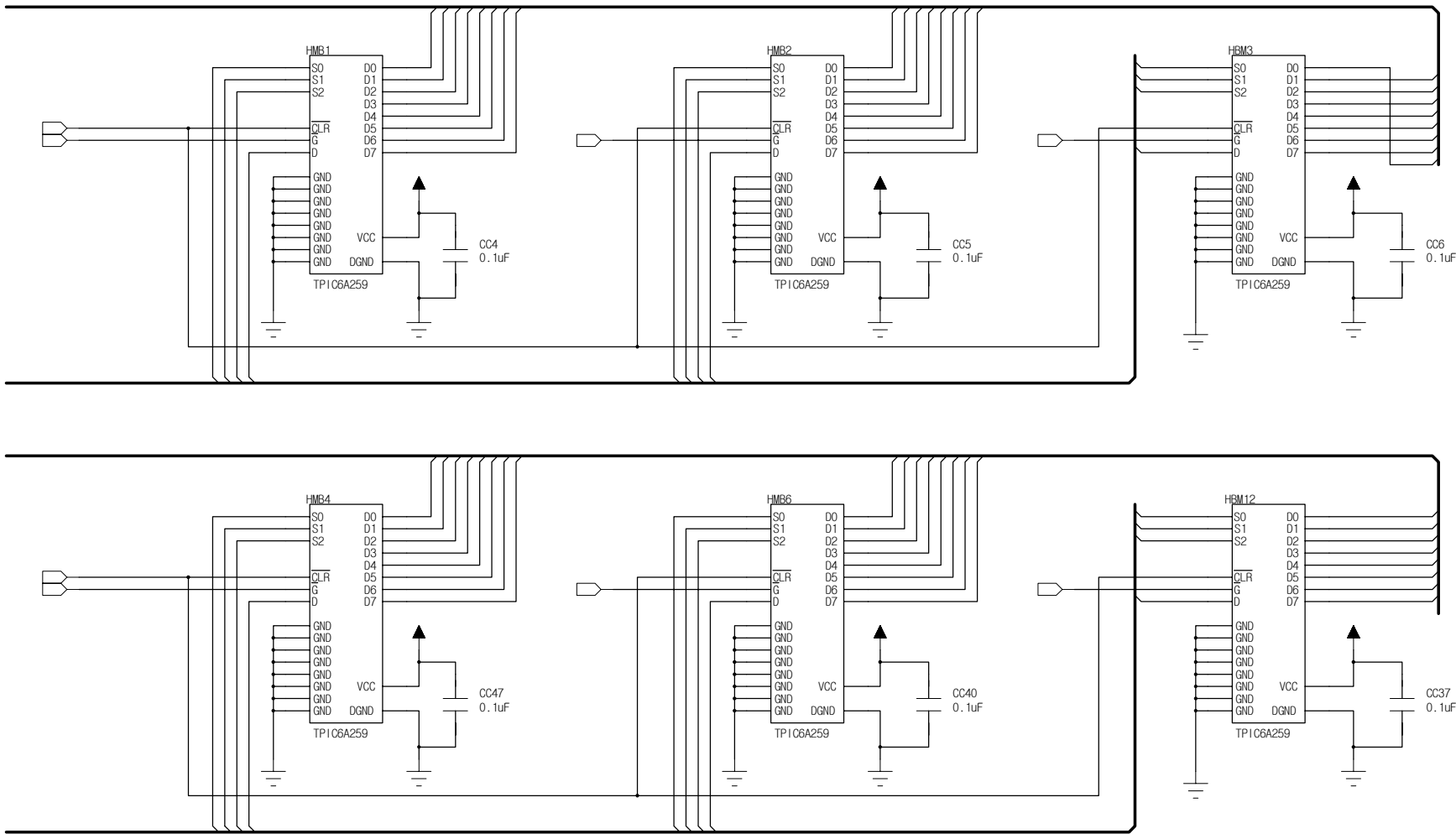
C

B

B

A

A



Document Number

SPB-010001-CE

TITLE:

SpeedPRO/ChipMax-II

SIZE:

A3

SUB TITLE

REV:

1.5

DATE::

2005. 11. 30

SHEET: 12 OF 17

6

5

4

3

2

1

D

D

C

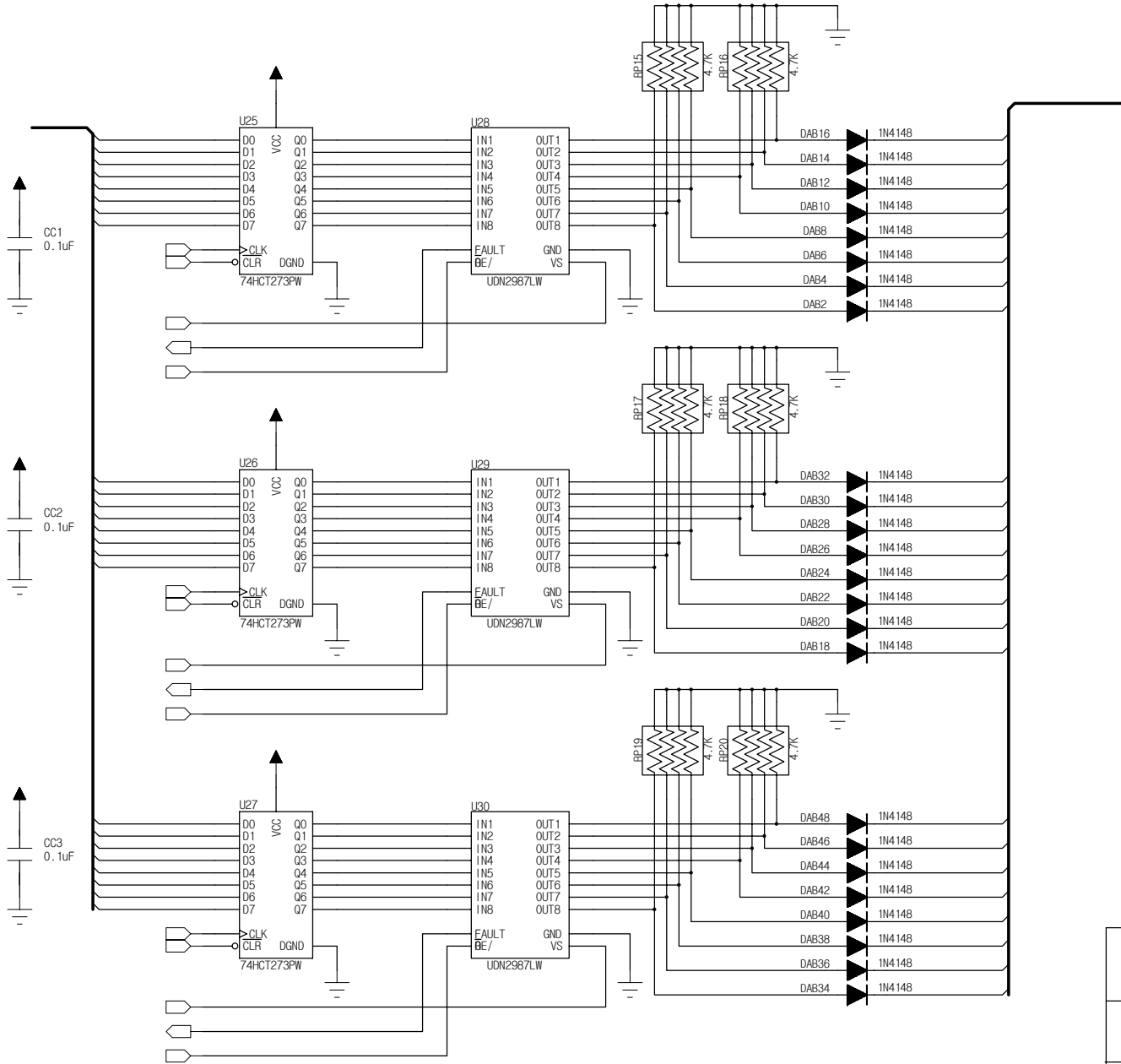
C


B

B

A

A



 Document Number		<b>SPB-010001-CE</b>	
TITLE: <b>SpeedPRO/ChipMax-II</b>			
SIZE: A3	SUB TITLE	REV: 1.5	
DATE::	2005. 11. 30	SHEET: 13 OF 17	

6

5

4

3

2

1

D

D

C

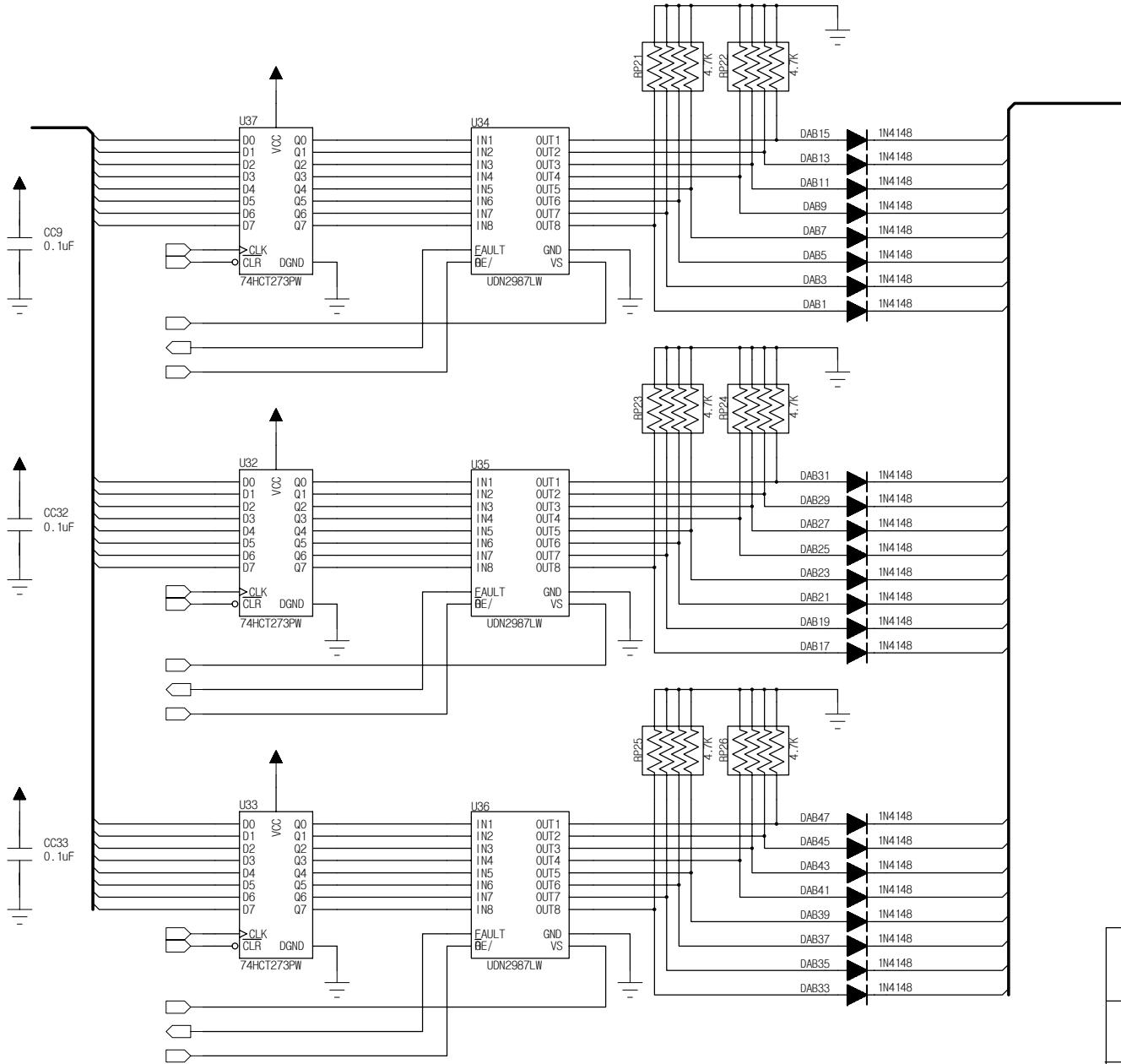
C


B

B

A

A



 Document Number <b>SPB-010001-CE</b>		
TITLE: <b>SpeedPRO/ChipMax-II</b>		
SIZE: <b>A3</b>	SUB TITLE	REV: <b>1.5</b>
DATE::	2005. 11. 30	SHEET: 14 OF 17

6

5

4

3

2

1

D

D

C

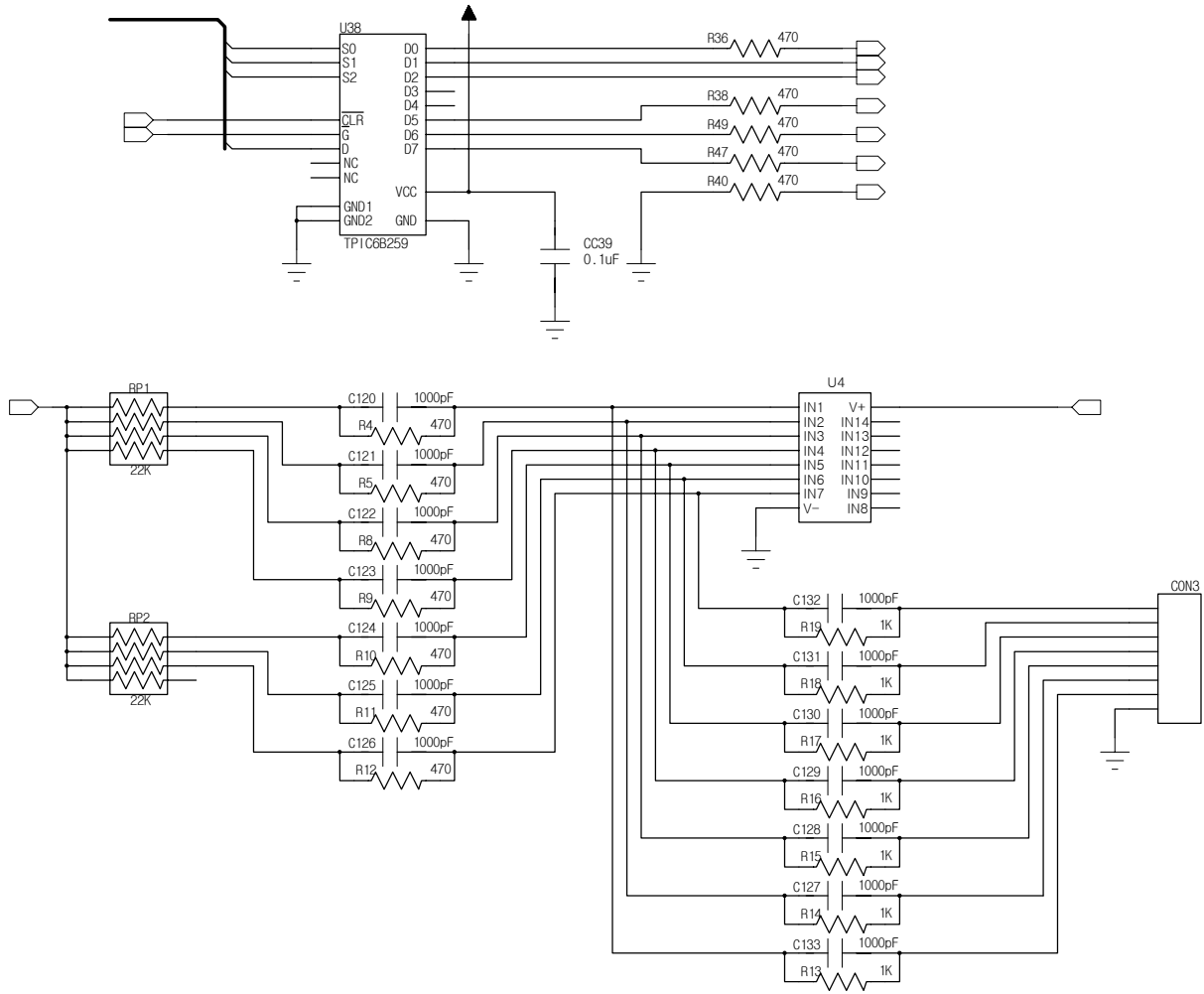
C

B

B

A

A



Document Number **SPB-010001-CE**

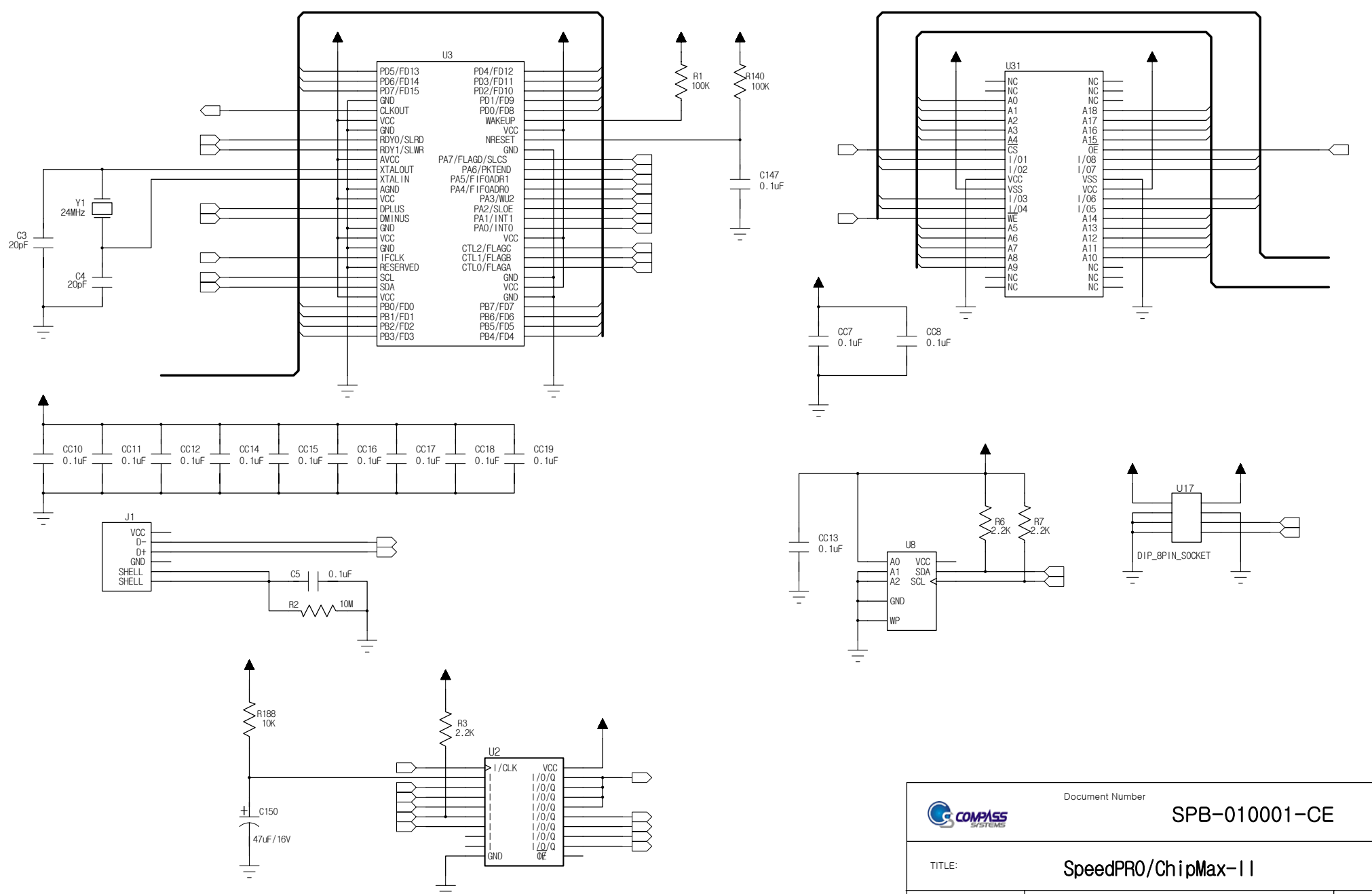
TITLE: **SpeedPRO/ChipMax-II**


SIZE: A3	SUB TITLE	REV: 1.5
-------------	-----------	-------------

DATE:: 2005. 11. 30 SHEET: 15 OF 17

D  
C  
B  
A

6 5 4 3 2 1



 Document Number		<b>SPB-010001-CE</b>	
TITLE: <b>SpeedPRO/ChipMax-II</b>			
SIZE: A3	SUB TITLE		REV: 1.5
DATE::	2005. 11. 30	SHEET: 16 OF 17	

D  
C  
B  
A



6

5

4

3

2

1

D

C

B

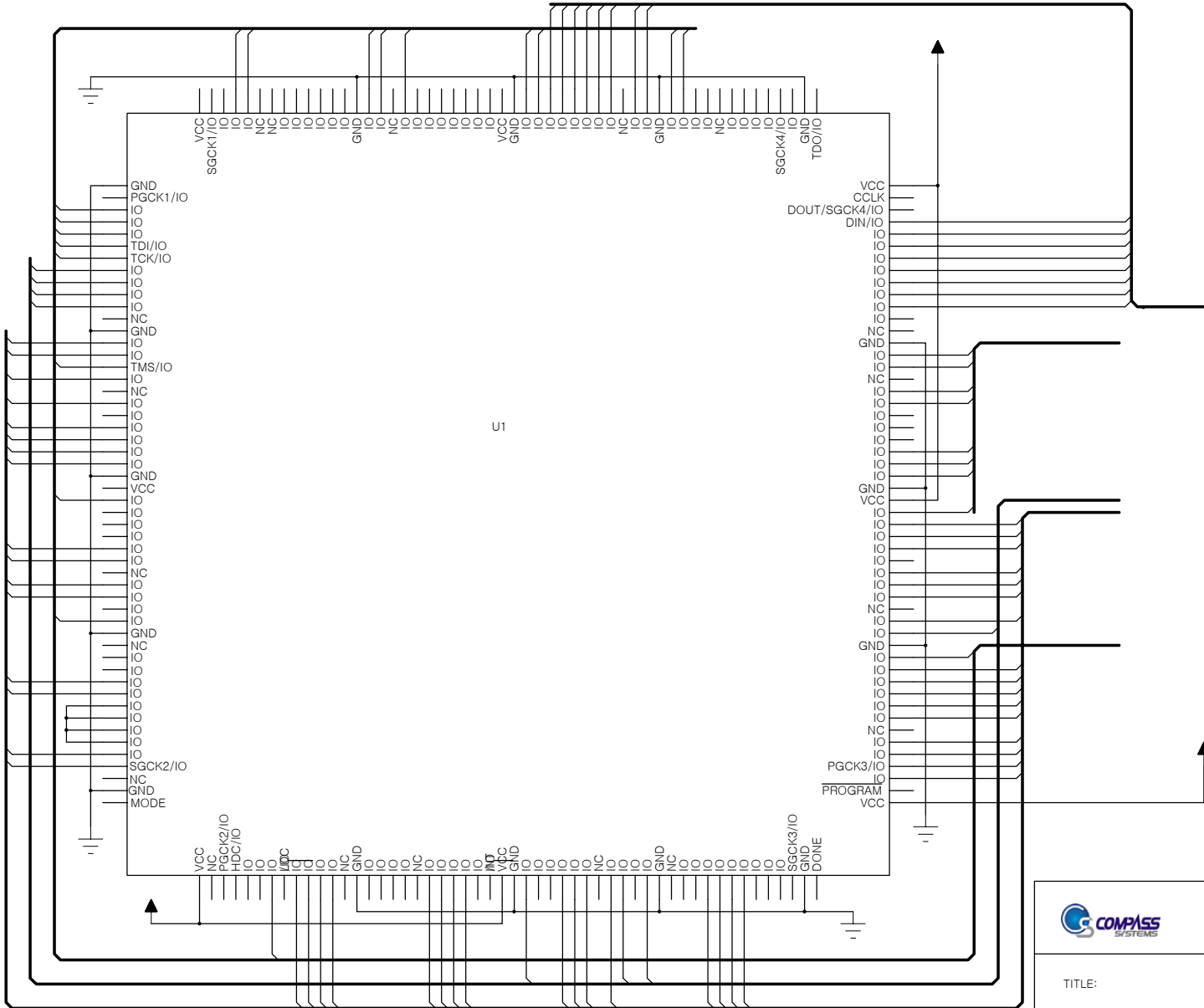
A


D

C

B

A



		Document Number	
		SPB-010001-CE	
TITLE: SpeedPRO/ChipMax-II			
SIZE: A3	SUB TITLE		REV: 1.5
DATE: 2005. 11. 30	SHEET: 17 OF 17		