

# Block Diagram

## 1. System Module Block Diagram

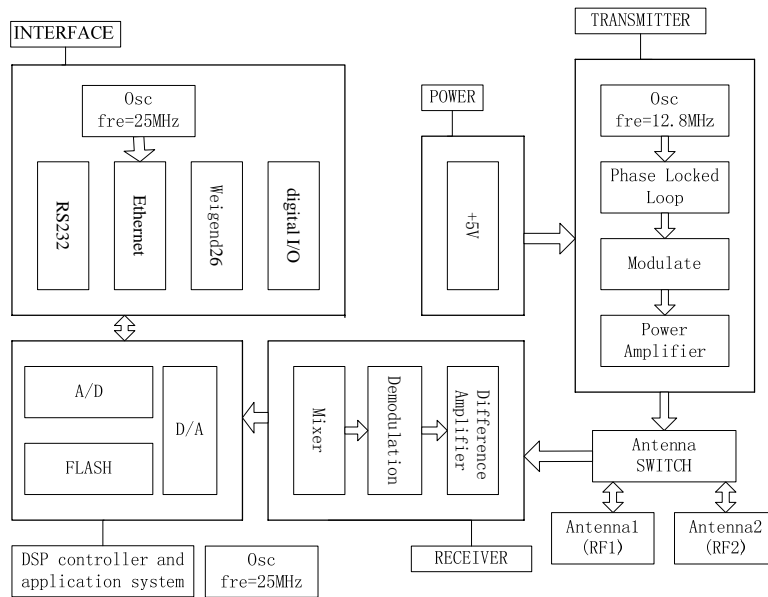


Diagram1 System Module Block Diagram

## 2. Reader Baseband Module Block Diagram

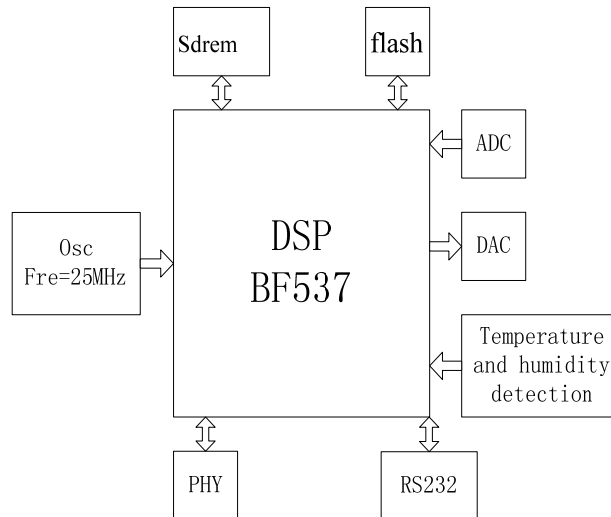


Diagram2 Reader Baseband Module Block Diagram

## 3. Reader RF Module Block Diagram

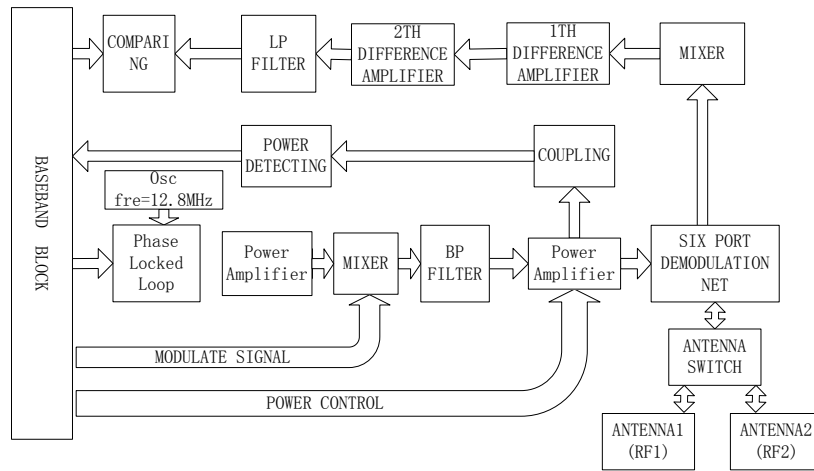


Diagram3 Core board Module block diagram

#### 4. Power Module Block Diagram

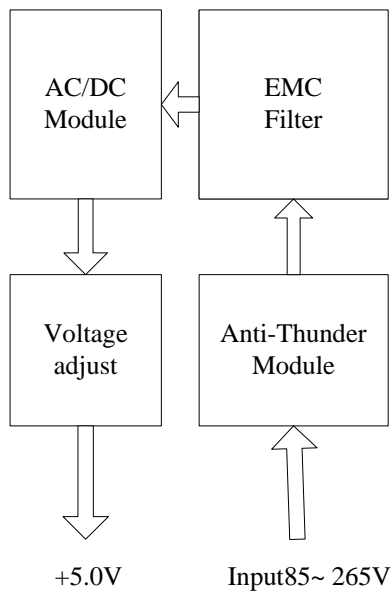


Diagram4 Power Module Block Diagram