

# Block Diagram

## 1. System Module Block Diagram

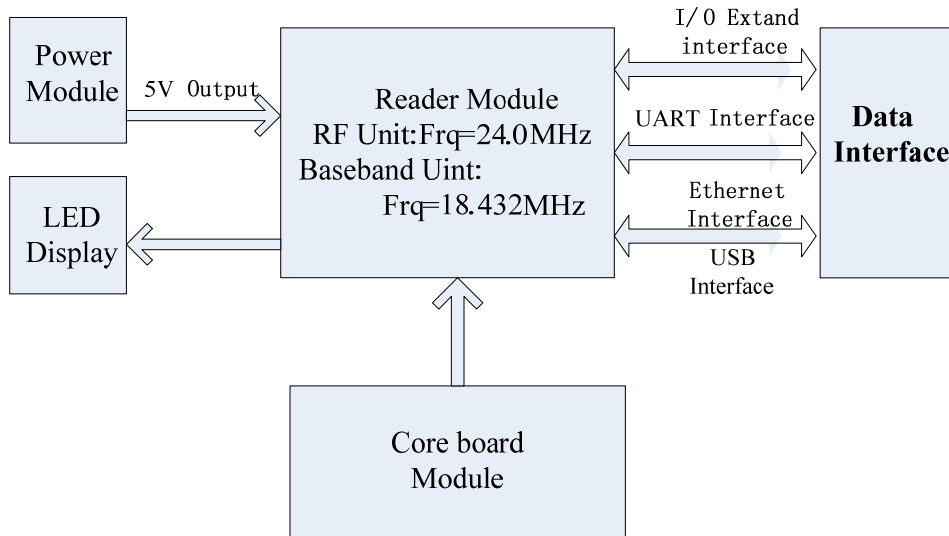


Diagram1 System Module Block Diagram

## 2. Reader Module Block Diagram

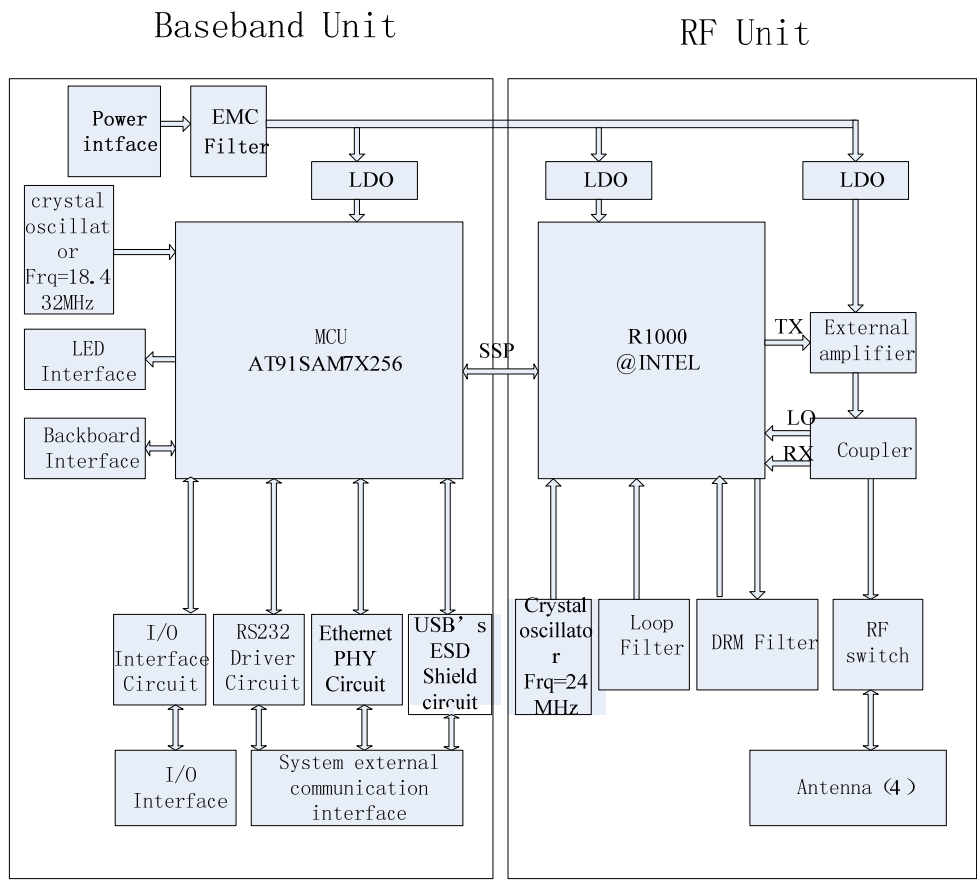


Diagram2 Reader Module Block Diagram

### 3. Core Board Module block diagram

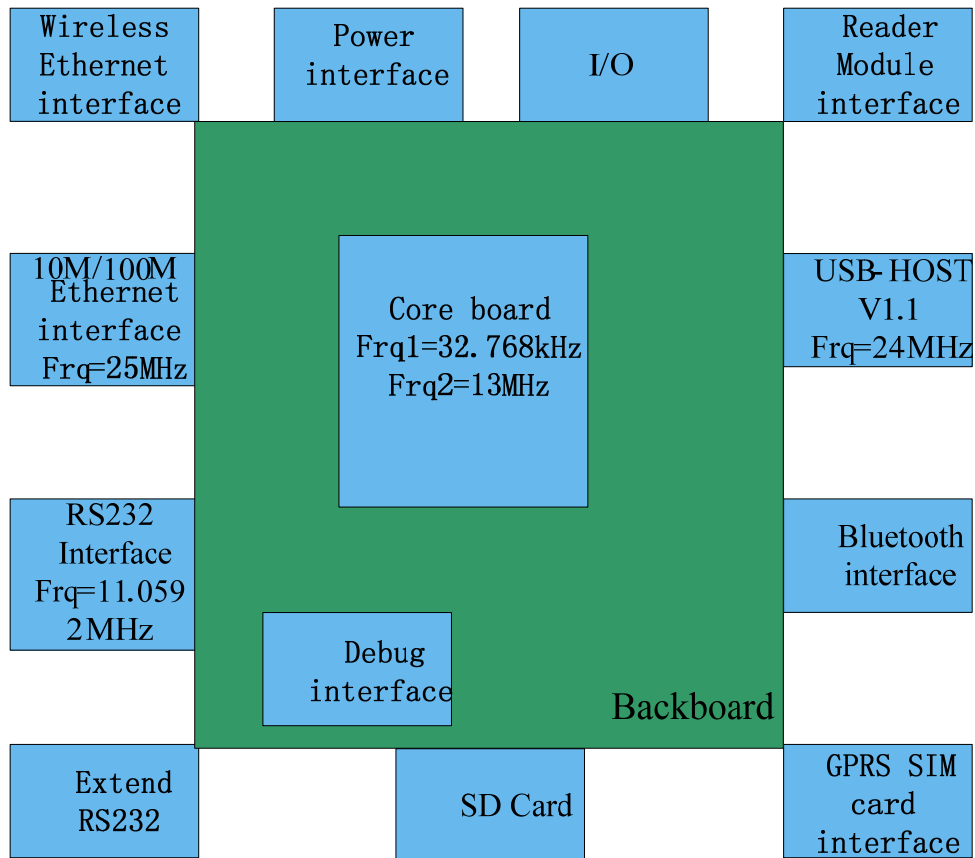


Diagram3 Core board Module block diagram

### 4. Core board block diagram

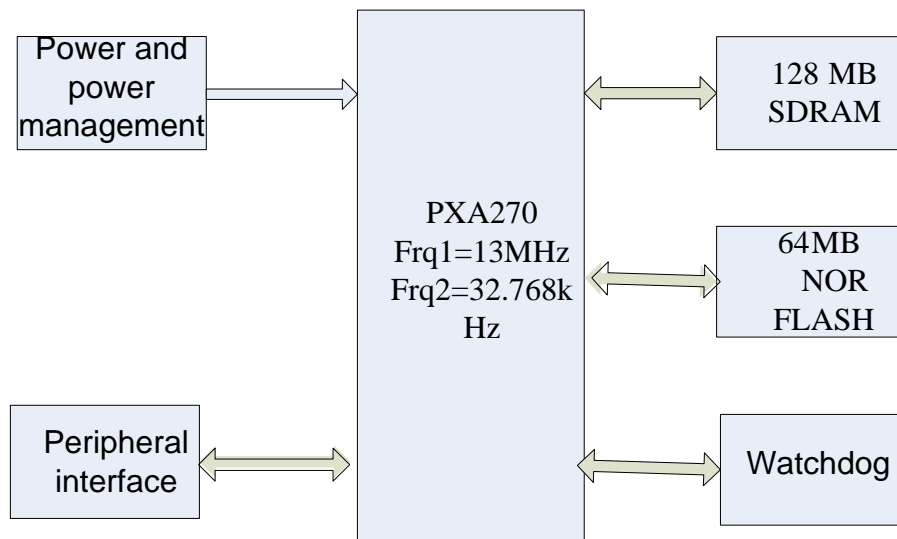


Diagram4 Core board block diagram

## 5. Power Module Block Diagram

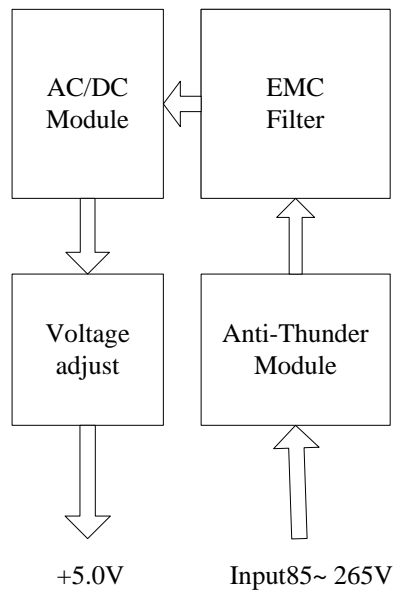


Diagram5 Power Module Block Diagram