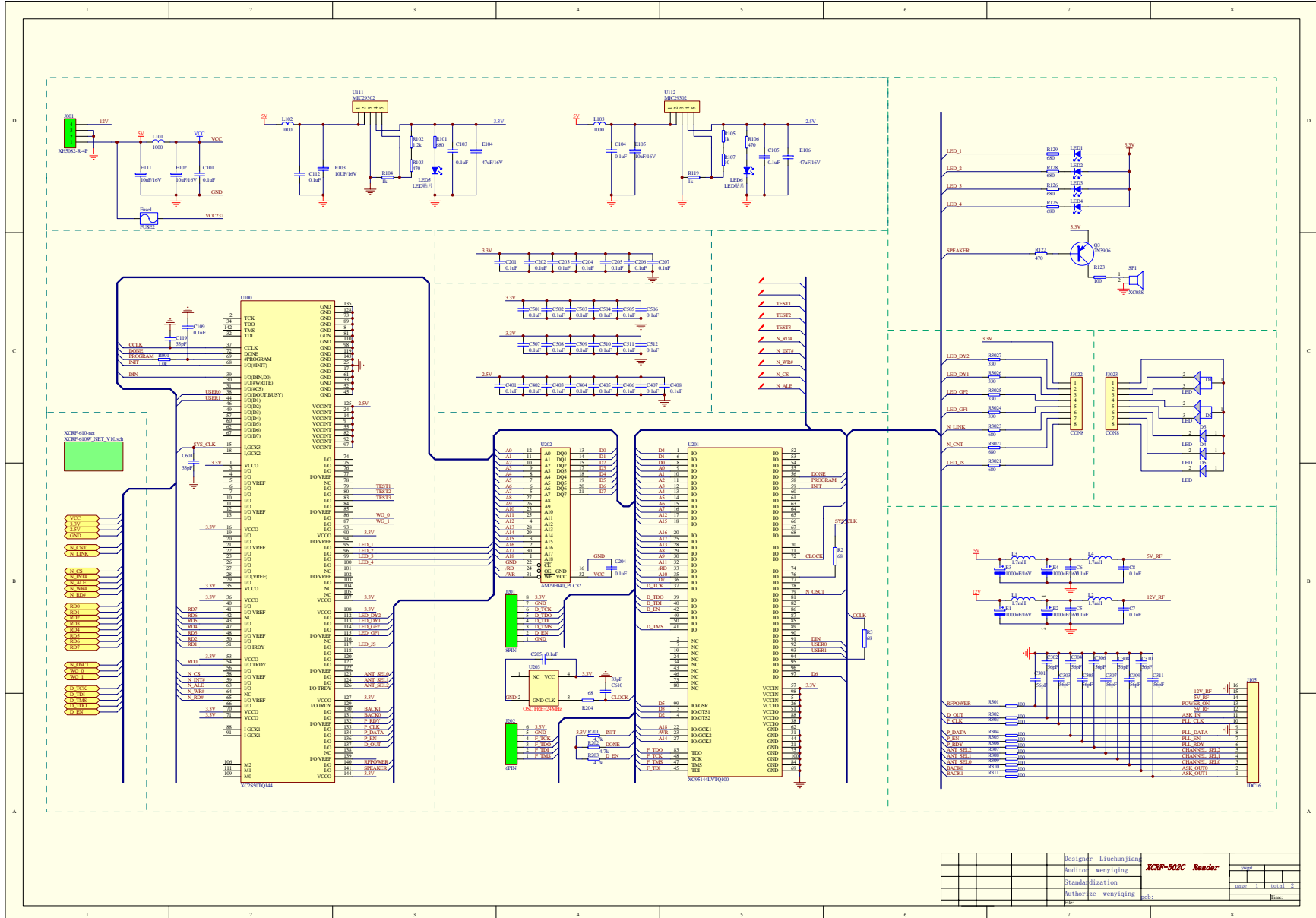
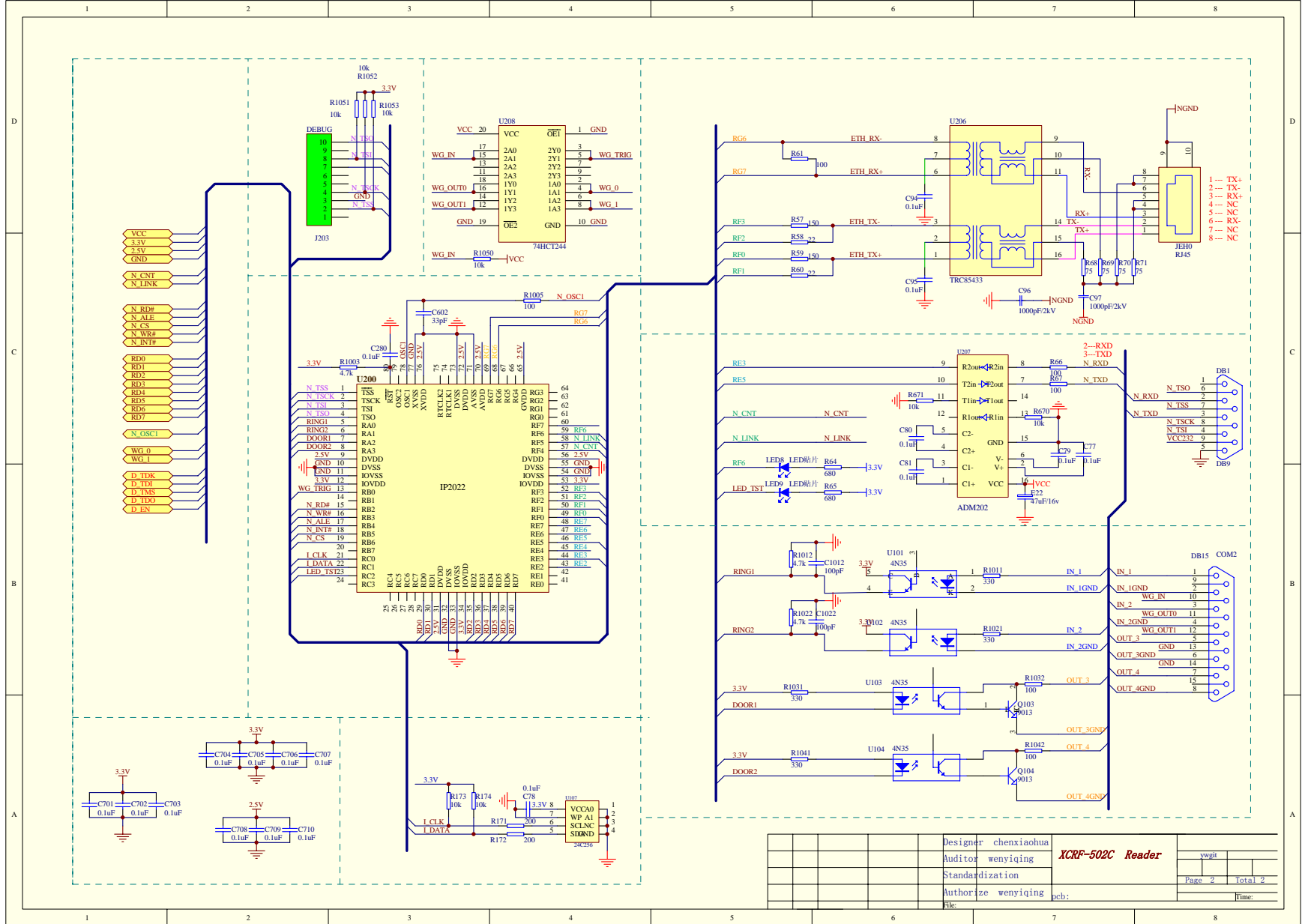


Designer	LiuTao	XCRF-502C Reader Page: 1 of 1 Total: 1 YWGT Time:
Auditor	Wenyiqing	
Standardization		
Authorize	Wenyiqing	
File:		



designer	LiuChuanJian	Version	
auditor	wenyiqing	date	2023-11-15
Standardization		drawn	2023-11-15
authorize	wenyiqing	check	
PCB			



Designer	chenxiaohua	XCRF-502C Reader	yzwt
Auditor	wenyiqing		Page 2 Total 2
Standardization			Time
Authorize	wenyiqing		
File:		pcb:	