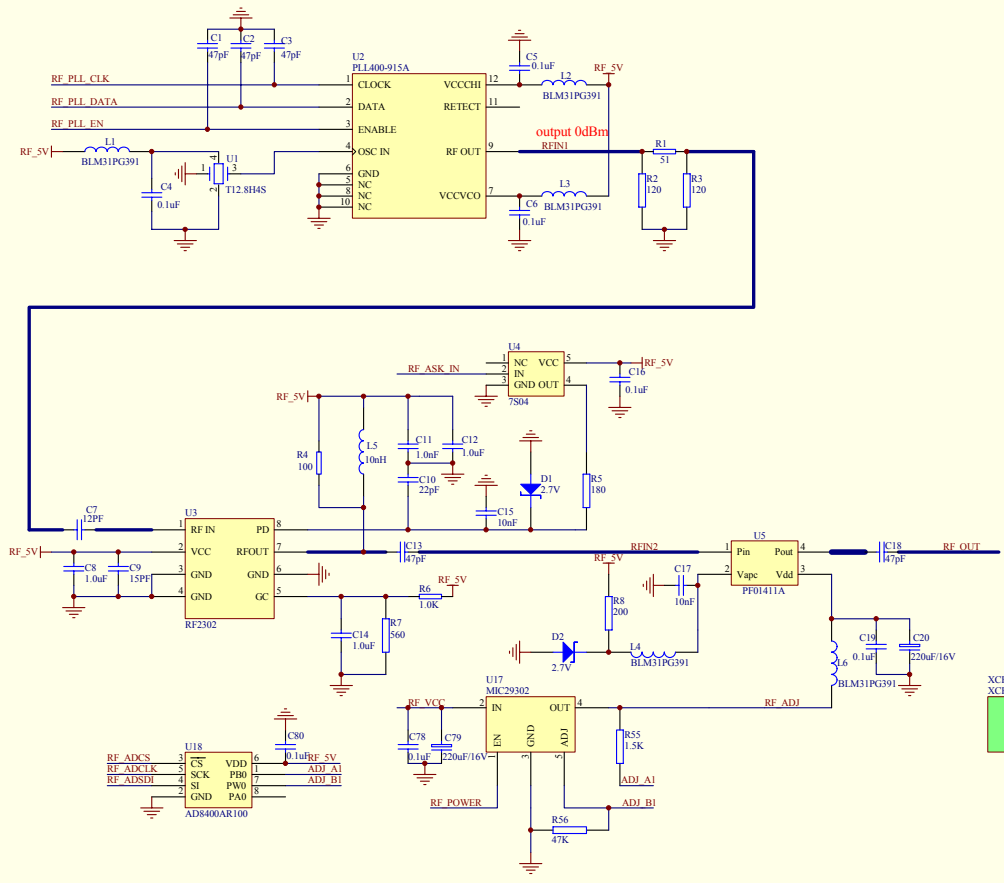


designer	chenxiaohua	<b>XCRM-F600 READER</b>	YW5.948.073DL
auditor	wenyiqing		
authorize	wenyiqing	Baseband	YWGZ
pbp-XCRM-F600-MAINV1.3.pcb		Date: 2005-05-11 Time: 14:31	

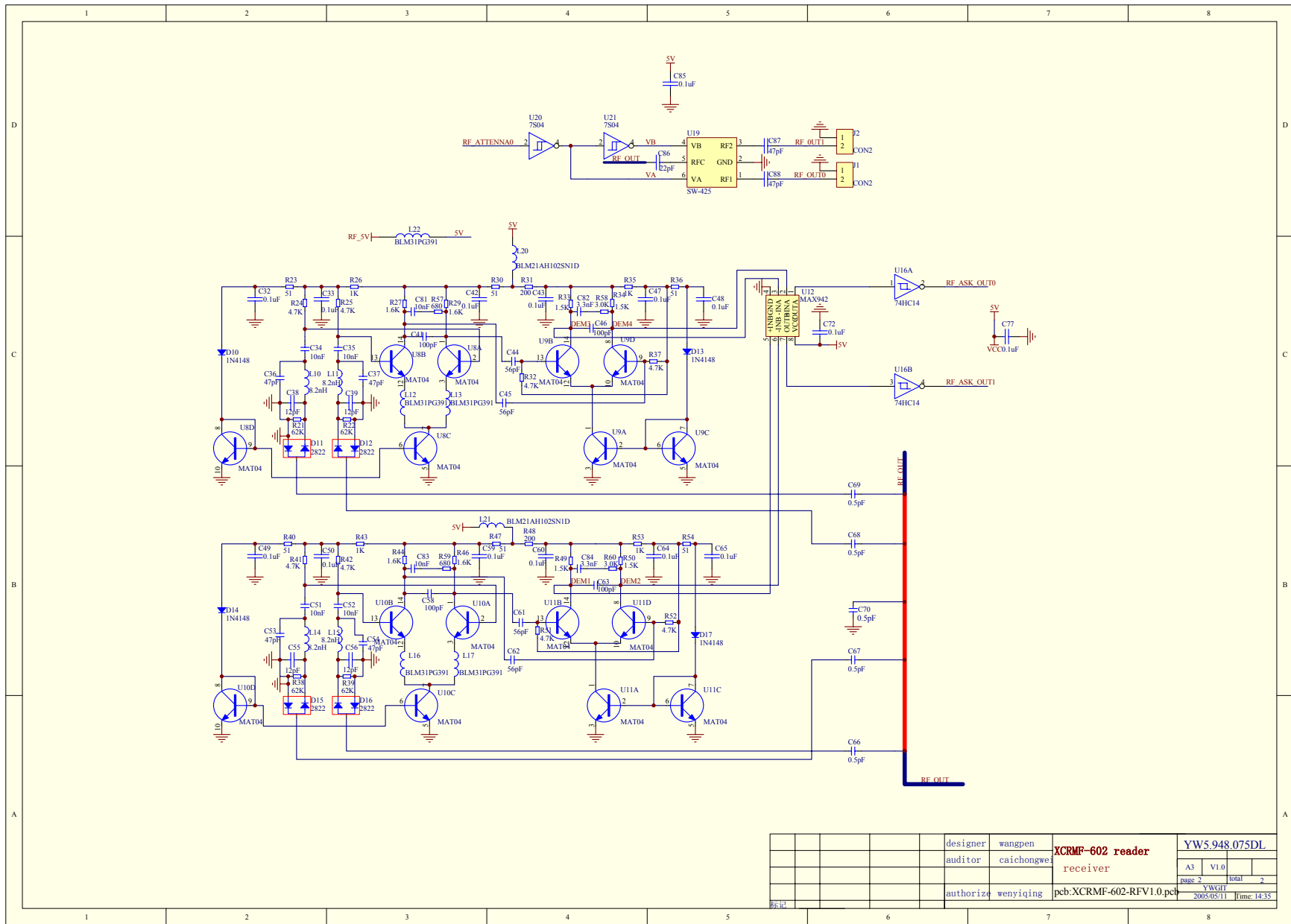
24	RF_ATTENNA0
23	GND
22	RF_ATTENNA1
21	GND
20	RF_ASK_OUT10
19	GND
18	RF_ASK_OUT11
17	GND
16	
15	
14	
13	
12	
11	
10	
9	
8	
7	
6	
5	
4	
3	
2	
1	

CON24



XCRMF-602-RFRV1  
XCRMF-602-RFRV1.0.sch

designer	wangpeng	<b>XCRF-500 READER</b>	YW5.948.075DL	
auditor	caichongwei		A3 V1.0	
authorize	wenyiqing	<b>RADIO</b>	page	total 2
		pcb:XCRMF-602-RFRV1.0.pcb	YWGHT	Time:14:15
			2005.05/11	



designer	wangpen	XCRMF-602 reader receiver	YW5.948.075DL	
auditor	caichongwei		A3	V1.0
authorize	wenyiqing	pcb:XCRMF-602-RFV1.0.pcb	page 2	total 2
			YWGHT	Time: 14:35