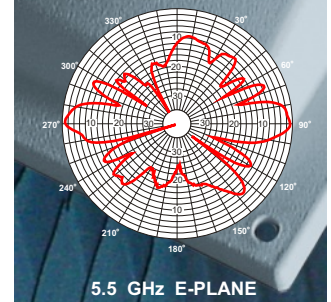
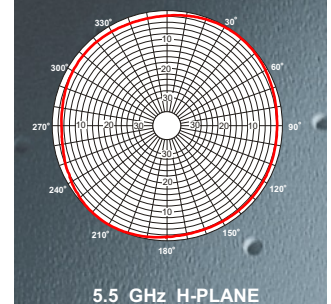
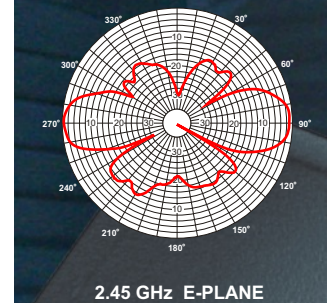




- Dual band 802.11b/a/g full band with no compromises
- All hardware included for mast and I-beam installations
- Uniform omnidirectionality over both frequency bands



WWW.CUSHCRAFT.COM

2.4-2.5 & 4.9-5.9 GHz DUAL-BAND OMNI ANTENNA

Cushcraft's S24513BPX antenna offers full band coverage over 802.11b/a/g and includes all of the hardware required to mount either indoors or outdoors. The antenna's no compromise performance will allow the user to achieve all of the performance he would expect of a single band radio system in a dual band radio. While many dual band antennas are a compromise between the two operating bands the S24513BPX antenna provides full band coverage and omnidirectional coverage in the frequency band from 2.4-2.5 GHz and in the 5 GHz band from 4.9-5.9 GHz antennas.

This antenna was designed with the assistance of Cushcraft's proprietary optimization tools resulting in unparalleled performance and value.

The antenna mounting hardware will allow the antenna to be mounted to an outdoor mast, using U-bolt and bracket mounting hardware as well as mounting inverted to an exposed I-beam. The mast mount hardware will also allow the antenna to be mounted indoors in its standard orientation.

The antenna is a perfect choice to support multiband radios as well as supporting a migration path from 802.11b, 802.11a and 802.11g.

Call your Cushcraft Sales Representative to place an order or visit us at:

www.cushcraft.com

PRODUCT TECHNICAL SPECIFICATIONS

Frequency (GHz):	2.4-2.5 & 4.9 - 5.9
Gain (dBi) Low/Hi:	6 / 6.5 (nominal)
E-Plane (3 dB beamwidth) Low/Hi:	25° / 17°
H-Plane (3 dB beamwidth):	Omnidirectional
Polarization:	Linear Vertical
Weight (Antenna Only) lb.(kg):	0.4 (.18)
VSWR:	2:1
Mounting Style:	Beam, Mast
Dimensions (inch):	25.5 x 1.0
Pigtail:	12"
Enclosure:	Acrylic / PVC
Power (Watts):	10
RF Connector:	N (f)