



SPORTON International Inc.

No. 52, Hwa Ya 1st Rd., Hwa Ya Technology Park, Kwei-Shan Hsiang, Tao Yuan Hsien, Taiwan, R.O.C.
Ph: 886-3-327-3456 / FAX: 886-3-327-0973 / www.sporton.com.tw

FCC RADIO TEST REPORT

Applicant's company	Mojo Networks, Inc.
Applicant Address	339 N. Bernardo Avenue, Suite #200, Mountain View, CA USA
FCC ID	TOR-C75
Manufacturer's company	Life-On Network Communication (Dongguan) Limited
Manufacturer Address	30#Keji Rd., Yin Hu Industrial Area, Qingxi Town, DongGuan City, Guangdong, China

Product Name	AirTight Access Point
Brand Name	MOJO, WatchGuard
Model No.	C-75, C-75-E, AP320
Test Rule	47 CFR FCC Part 15 Subpart C § 15.247
Test Freq. Range	2400 ~ 2483.5MHz
Received Date	Jan. 10, 2014
Final Test Date	Oct. 28, 2015
Submission Type	Class II Change

Statement

Test result included in this report is for the IEEE 802.11n and IEEE 802.11b/g of the product.

The test result in this report refers exclusively to the presented test model / sample.

Without written approval of SPORTON International Inc., the test report shall not be reproduced except in full.

The measurements and test results shown in this test report were made in accordance with the procedures and found in compliance with the limit given in **ANSI C63.10-2013, 47 CFR FCC Part 15 Subpart C, KDB558074 D01 v03r05 and KDB 662911 D01 v02r01.**

The test equipment used to perform the test is calibrated and traceable to NML/ROC.





Table of Contents

1. VERIFICATION OF COMPLIANCE	1
2. SUMMARY OF THE TEST RESULT	2
3. GENERAL INFORMATION	3
3.1. Product Details.....	3
3.2. Accessories.....	4
3.3. Table for Filed Antenna.....	5
3.4. Table for Carrier Frequencies	6
3.5. Table for Test Modes.....	7
3.6. Table for Testing Locations.....	7
3.7. Table for Multiple Listing.....	8
3.8. Table for Class II Change	8
3.9. Table for Supporting Units	8
3.10. EUT Operation during Test	8
3.11. Test Configurations	9
4. TEST RESULT	11
4.1. AC Power Line Conducted Emissions Measurement.....	11
4.2. Radiated Emissions Measurement	15
4.3. Antenna Requirements	21
5. LIST OF MEASURING EQUIPMENTS	22
6. MEASUREMENT UNCERTAINTY	23
APPENDIX A. TEST PHOTOS	A1 ~ A3



History of This Test Report

REPORT NO.	VERSION	DESCRIPTION	ISSUED DATE
FR411023-06AA	Rev. 01	Initial issue of report	Jun. 10, 2016

1. VERIFICATION OF COMPLIANCE

Product Name : AirTight Access Point
Brand Name : MOJO, WatchGuard
Model No. : C-75, C-75-E, AP320
Applicant : Mojo Networks, Inc.
Test Rule Part(s) : 47 CFR FCC Part 15 Subpart C § 15.247

Sporton International as requested by the applicant to evaluate the EMC performance of the product sample received on Jan. 10, 2014 would like to declare that the tested sample has been evaluated and found to be in compliance with the tested rule parts. The data recorded as well as the test configuration specified is true and accurate for showing the sample's EMC nature.



Sam Chen

SPORTON INTERNATIONAL INC.

2. SUMMARY OF THE TEST RESULT

Applied Standard: 47 CFR FCC Part 15 Subpart C			
Part	Rule Section	Description of Test	Result
4.1	15.207	AC Power Line Conducted Emissions	Complies
4.2	15.247(d)	Radiated Emissions	Complies
4.3	15.203	Antenna Requirements	Complies

3. GENERAL INFORMATION

3.1. Product Details

Items	Description
Product Type	IEEE 802.11b/g: WLAN (1TX, 1RX) IEEE 802.11n: WLAN (3TX, 3RX)
Radio Type	Intentional Transceiver
Power Type	From adapter or PoE
Modulation	IEEE 802.11b: DSSS IEEE 802.11g: OFDM IEEE 802.11n: see the below table
Data Modulation	IEEE 802.11b: DSSS (BPSK / QPSK / CCK) IEEE 802.11g/n: OFDM (BPSK / QPSK / 16QAM / 64QAM)
Data Rate (Mbps)	IEEE 802.11b: DSSS (1/ 2/ 5.5/11) IEEE 802.11g: OFDM (6/9/12/18/24/36/48/54) IEEE 802.11n: see the below table
Frequency Range	2400 ~ 2483.5MHz
Channel Number	11 for 20MHz bandwidth ; 7 for 40MHz bandwidth
Carrier Frequencies	Please refer to section 3.4
Antenna	Please refer to section 3.3

Items	Description	
Beamforming Function	<input type="checkbox"/> With beamforming	<input checked="" type="checkbox"/> Without beamforming

Antenna and Band width

Antenna	Single (TX)		Three (TX)	
	20 MHz	40 MHz	20 MHz	40 MHz
IEEE 802.11b	V	X	X	X
IEEE 802.11g	V	X	X	X
IEEE 802.11n	X	X	V	V

IEEE 11n Spec.

Protocol	Number of Transmit Chains (NTX)	Data Rate / MCS
802.11n (HT20)	3	MCS 0-23
802.11n (HT40)	3	MCS 0-23
Note 1: IEEE Std. 802.11n modulation consists of HT20 and HT40 (HT: High Throughput). Then EUT supports HT20 and HT40. Note 2: Modulation modes consist of below configuration: HT20/HT40: IEEE 802.11n		

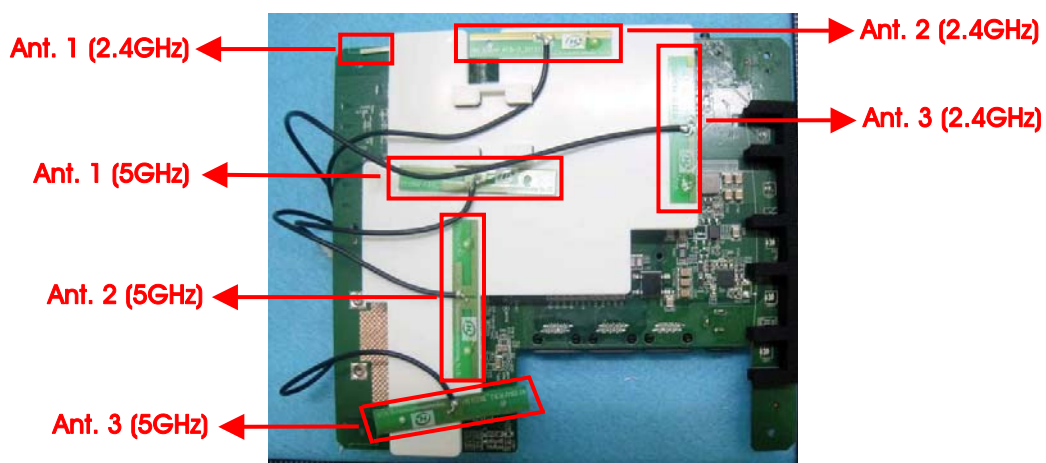
3.2. Accessories

Power	Brand	Model No.	Rating
Adapter	APD	WA-24Q12R	Input: 100-240Vac, 50-60Hz, 0.7A Max. Output: 12Vdc, 2A
Other			
Plug*1			

3.3. Table for Filed Antenna

For EUT 1 (Model No.: C-75) and EUT 3 (Model No.: AP320)

Ant.	Brand	Model No.	Type	Connector	Antenna Gain		Cable loss		True Gain (dBi)	
					2.4GHz	5GHz	2.4GHz	5GHz	2.4GHz	5GHz
1	LITEON	WP838 AP	PCB	I-PEX	3.5	6.5	0.2	-	3.3	6.5
2	LITEON	WP838 AP	PCB	I-PEX	6	5.8	-	-	6	5.8
3	LITEON	WP838 AP	PCB	I-PEX	5.4	6.6	-	-	5.4	6.6



For EUT 2 (Model No.: C-75-E)

Ant.	Brand	Model No.	Type	Connector	Gain (dBi)	
					2.4GHz	5GHz
1	MAG.LAYERS	EDA-1713-25GR2-A7	Dipole	SMA Male RP	5	5
2	MAG.LAYERS	EDA-1713-25GR2-A7	Dipole	SMA Male RP	5	5
3	MAG.LAYERS	EDA-1713-25GR2-A7	Dipole	SMA Male RP	5	5



<For 2.4GHz Band>

For IEEE 802.11b/g mode (1TX/1RX):

Only Ant. 1 could transmit/receive simultaneously.

For IEEE 802.11n mode (3TX/3RX):

Ant. 1, Ant. 2 and Ant. 3 could transmit/receive simultaneously.

<For 5GHz Band>

For IEEE 802.11a mode (1TX/1RX):

Only Ant. 1 could transmit/receive simultaneously.

For IEEE 802.11n/ac mode (3TX/3RX):

Ant. 1, Ant. 2 and Ant. 3 could transmit/receive simultaneously.

3.4. Table for Carrier Frequencies

There are two bandwidth systems.

For 20MHz bandwidth systems, use Channel 1~Channel 11.

For 40MHz bandwidth systems, use Channel 3~Channel 9.

Frequency Band	Channel No.	Frequency	Channel No.	Frequency
2400~2483.5MHz	1	2412 MHz	7	2442 MHz
	2	2417 MHz	8	2447 MHz
	3	2422 MHz	9	2452 MHz
	4	2427 MHz	10	2457 MHz
	5	2432 MHz	11	2462 MHz
	6	2437 MHz	-	-

3.5. Table for Test Modes

Preliminary tests were performed in different data rate to find the worst radiated emission. The data rate shown in the table below is the worst-case rate with respect to the specific test item. Investigation has been done on all the possible configurations for searching the worst cases. The following table is a list of the test modes shown in this test report.

Test Items	Mode	Data Rate	Channel	Ant.
AC Power Line Conducted Emissions	Normal Link	-	-	-
Radiated Emissions 9kHz~1GHz	Normal Link	-	-	-

Note: All the specification of test configurations and test mode was base on customer's request.

The following test modes were performed for all tests:

AC Power Line Conducted Emissions test	
There are two EUT, one is EUT 1 and the other is EUT 2. EUT 1 generated the worst test result for original test report, thus measurement will follow this same test configuration.	
Test Mode	Description
1	EUT 1 + Adapter

Radiated Emissions Below 1GHz test	
There are four modes as below: 1. EUT 1 in Z axis + Adapter 2. EUT 1 in Y axis + Adapter 3. EUT 1 in Z axis + PoE 4. EUT 2 in Z axis + PoE EUT 1 in Z axis + Adapter generated the worst test result for original test report, thus measurement will follow this same test configuration.	
Test Mode	Description
1	EUT 1 in Z axis + Adapter

3.6. Table for Testing Locations

Test Site Location				
Address:	No.8, Lane 724, Bo-ai St., Jhubei City, Hsinchu County 302, Taiwan, R.O.C.			
TEL:	886-3-656-9065			
FAX:	886-3-656-9085			
Test Site No.	Site Category	Location	FCC Designation No.	IC File No.
03CH01-CB	SAC	Hsin Chu	TW0006	IC 4086D
CO01-CB	Conduction	Hsin Chu	TW0006	IC 4086D

Open Area Test Site (OATS); Semi Anechoic Chamber (SAC).

3.7. Table for Multiple Listing

The EUT has three model numbers which are identical to each other in all aspects except for the following table:

Brand Name	Model No.	Antenna	Description
MOJO	C-75	Internal antenna	EUT 1
	C-75-E	External antenna	EUT 2
WatchGuard	AP320	Internal antenna	EUT 3

From the above models, EUT 1 and EUT 2 were selected as representative model for the test and their data was recorded in this report.

3.8. Table for Class II Change

This product is an extension of original one reported under Sporton project number: FR411023AA

Below is the table for the change of the product with respect to the original one.

Modifications	Performance Checking
1. Adding an adapter (Model No.: WA-24Q12R) for marketing.	1. AC Power Line Conducted Emissions. 2. Radiated Emissions Below 1GHz.
2. Changing the applicant information. 3. Changing the manufacturer information. 4. Changing the brand name to "MOJO" from "AirTight". 5. Adding a brand name "WatchGuard". 6. Adding a model number "AP320".	Do not have to retest assessed.

3.9. Table for Supporting Units

For Test Site No: 03CH01-CB

Support Unit	Brand	Model	FCC ID
Notebook*4	DELL	E4300	DoC
Flash Disk	Silicon Power	I-Series	DoC

For Test Site No: CO01-CB

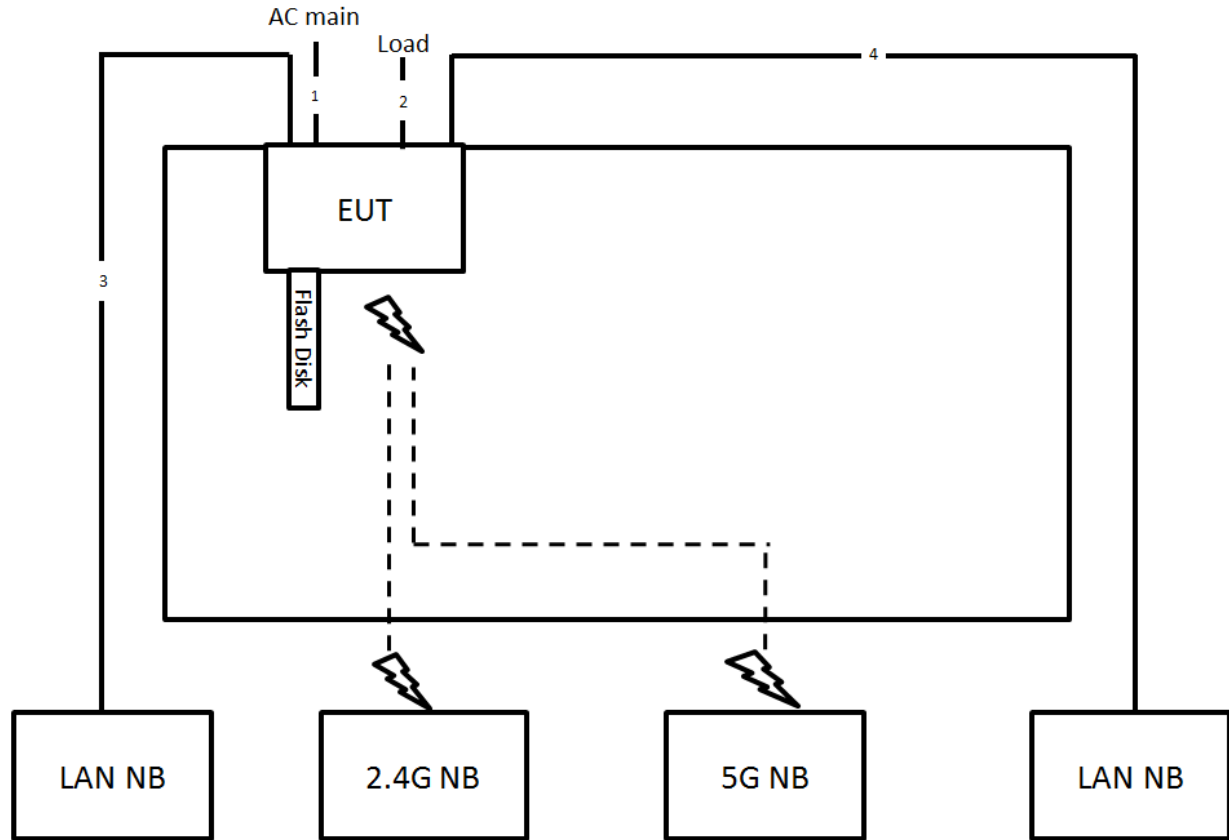
Support Unit	Brand	Model	FCC ID
Notebook*4	DELL	E6430	DoC
Flash Disk	ADATA	C103	DoC

3.10. EUT Operation during Test

The EUT was programmed to be in continuously transmitting mode.

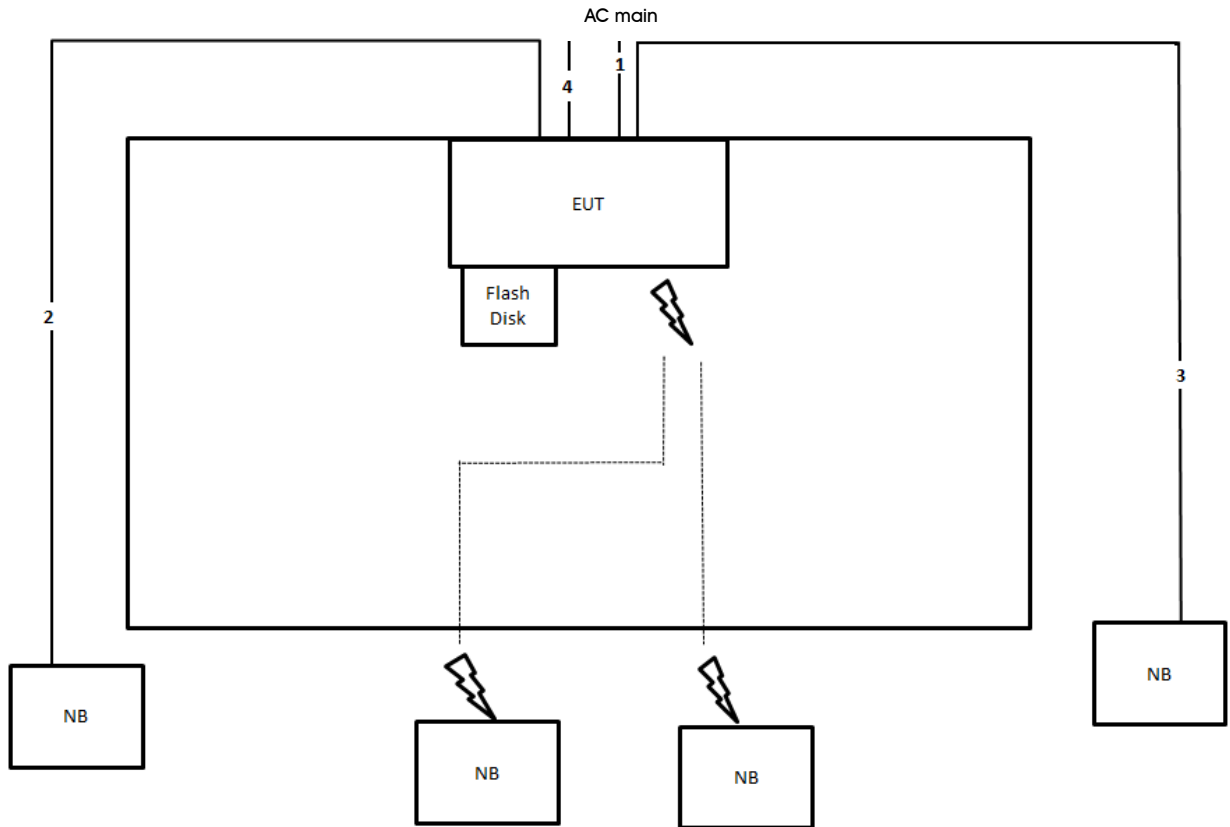
3.11. Test Configurations

3.11.1. AC Power Line Conduction Emissions Test Configuration



Item	Connection	Shielded	Length
1	Power cable	No	1.2m
2	Console cable	No	1.5m
3	RJ-45 cable	No	10m
4	RJ-45 cable	No	10m

3.11.2. Radiation Emissions Test Configuration



Item	Connection	Shielded	Length
1	Power cable	No	1.2m
2	RJ-45 cable	No	10m
3	RJ-45 cable	No	10m
4	Console cable	Yes	1.5m

4. TEST RESULT

4.1. AC Power Line Conducted Emissions Measurement

4.1.1. Limit

For this product which is designed to be connected to the AC power line, the radio frequency voltage that is conducted back onto the AC power line on any frequency or frequencies within the band 150 kHz to 30 MHz shall not exceed below limits table.

Frequency (MHz)	QP Limit (dBuV)	AV Limit (dBuV)
0.15~0.5	66~56	56~46
0.5~5	56	46
5~30	60	50

4.1.2. Measuring Instruments and Setting

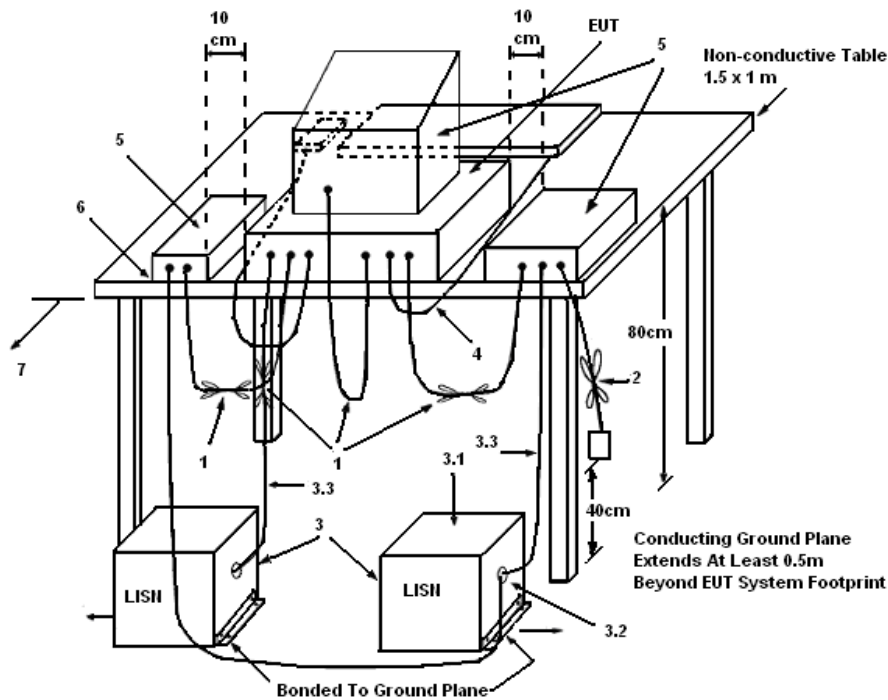
Please refer to section 5 of equipments list in this report. The following table is the setting of the receiver.

Receiver Parameters	Setting
Attenuation	10 dB
Start Frequency	0.15 MHz
Stop Frequency	30 MHz
IF Bandwidth	9 kHz

4.1.3. Test Procedures

1. Configure the EUT according to ANSI C63.10. The EUT or host of EUT has to be placed 0.4 meter far from the conducting wall of the shielding room and at least 80 centimeters from any other grounded conducting surface.
2. Connect EUT or host of EUT to the power mains through a line impedance stabilization network (LISN).
3. All the support units are connected to the other LISNs. The LISN should provide 50uH/50ohms coupling impedance.
4. The frequency range from 150 kHz to 30 MHz was searched.
5. Set the test-receiver system to Peak Detect Function and Specified Bandwidth with Maximum Hold Mode.
6. The measurement has to be done between each power line and ground at the power terminal.

4.1.4. Test Setup Layout



LEGEND:

- (1) Interconnecting cables that hang closer than 40 cm to the ground plane shall be folded back and forth in the center forming a bundle 30 to 40 cm long.
- (2) I/O cables that are not connected to a peripheral shall be bundled in the center. The end of the cable may be terminated, if required, using the correct terminating impedance. The overall length shall not exceed 1 m.
- (3) EUT connected to one LISN. Unused LISN measuring port connectors shall be terminated in 50 Ω. LISN can be placed on top of, or immediately beneath, reference ground plane.
 - (3.1) All other equipment powered from additional LISN(s).
 - (3.2) Multiple outlet strip can be used for multiple power cords of non-EUT equipment.
 - (3.3) LISN at least 80 cm from nearest part of EUT chassis.
- (4) Cables of hand-operated devices, such as keyboards, mice, etc., shall be placed as for normal use.
- (5) Non-EUT components of EUT system being tested.
- (6) Rear of EUT, including peripherals, shall all be aligned and flush with rear of tabletop.
- (7) Rear of tabletop shall be 40 cm removed from a vertical conducting plane that is bonded to the ground plane.

4.1.5. Test Deviation

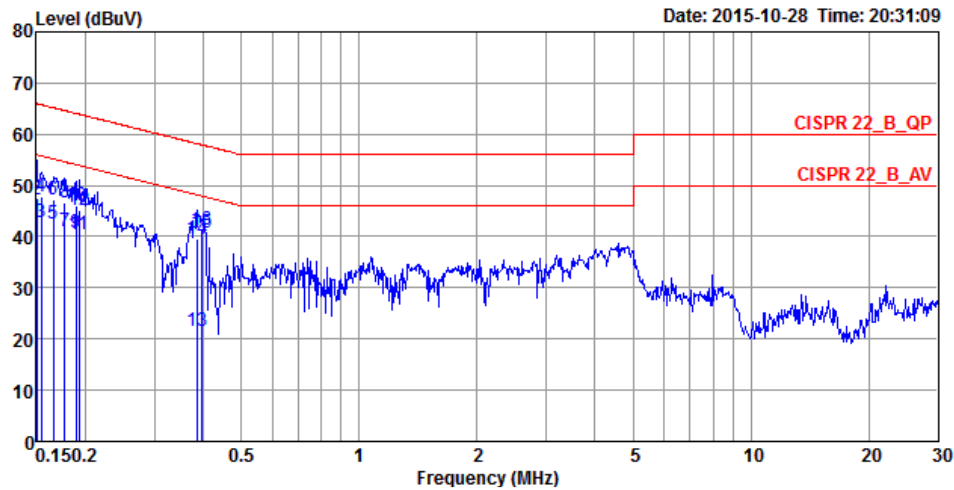
There is no deviation with the original standard.

4.1.6. EUT Operation during Test

The EUT was placed on the test table and programmed in normal function.

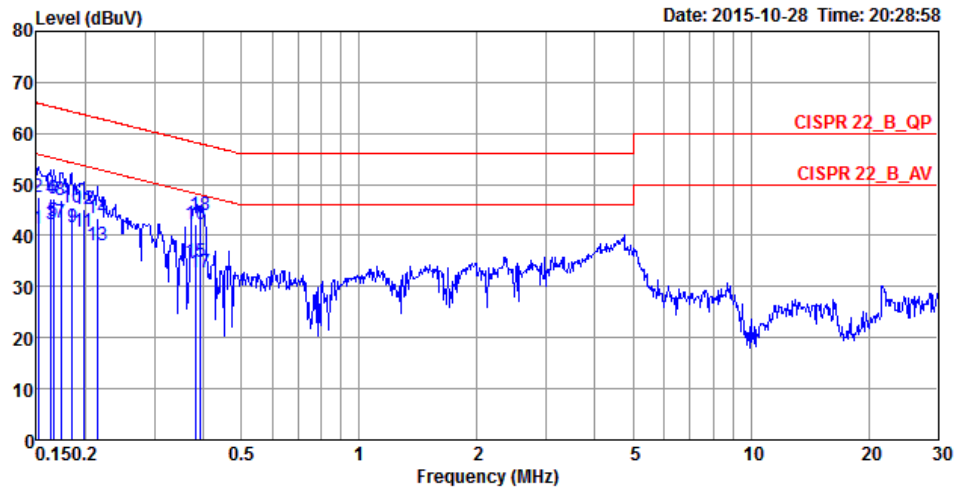
4.1.7. Results of AC Power Line Conducted Emissions Measurement

Temperature	25°C	Humidity	60%
Test Engineer	Deven Huang	Phase	Line
Configuration	Normal Link	Test Mode	Mode 1



	Freq	Level	Over Limit	Limit Line	Read Level	LISN Factor	Cable Loss	Pol/Phase	Remark
	MHz	dBuV	dB	dBuV	dBuV	dB	dB		
1	0.1500	43.57	-12.43	56.00	33.62	9.93	0.02	LINE	Average
2	0.1500	47.22	-18.78	66.00	37.27	9.93	0.02	LINE	QP
3	0.1540	42.94	-12.84	55.78	32.99	9.93	0.02	LINE	Average
4	0.1540	47.72	-18.06	65.78	37.77	9.93	0.02	LINE	QP
5	0.1659	42.43	-12.73	55.16	32.48	9.93	0.02	LINE	Average
6	0.1659	47.12	-18.04	65.16	37.17	9.93	0.02	LINE	QP
7	0.1768	41.10	-13.54	54.64	31.15	9.93	0.02	LINE	Average
8	0.1768	46.73	-17.91	64.64	36.78	9.93	0.02	LINE	QP
9	0.1894	40.86	-13.20	54.06	30.91	9.93	0.02	LINE	Average
10	0.1894	46.00	-18.06	64.06	36.05	9.93	0.02	LINE	QP
11	0.1924	40.59	-13.34	53.93	30.64	9.93	0.02	LINE	Average
12	0.1924	45.16	-18.77	63.93	35.21	9.93	0.02	LINE	QP
13	0.3872	21.69	-26.43	48.12	11.72	9.93	0.04	LINE	Average
14	0.3872	39.45	-18.67	58.12	29.48	9.93	0.04	LINE	QP
15	0.3976	40.77	-7.13	47.90	30.80	9.93	0.04	LINE	Average
16	0.3976	41.29	-16.61	57.90	31.32	9.93	0.04	LINE	QP

Temperature	25°C	Humidity	60%
Test Engineer	Justin Chiu	Phase	Neutral
Configuration	Normal Link	Test Mode	Mode 1



	Freq	Level	Over Limit	Limit Line	Read Level	LISN Factor	Cable Loss	Pol/Phase	Remark
	MHz	dBuV	dB	dBuV	dBuV	dB	dB		
1	0.1516	41.39	-14.52	55.91	31.59	9.78	0.02	NEUTRAL	Average
2	0.1516	47.45	-18.46	65.91	37.65	9.78	0.02	NEUTRAL	QP
3	0.1633	42.17	-13.13	55.30	32.37	9.78	0.02	NEUTRAL	Average
4	0.1633	47.33	-17.97	65.30	37.53	9.78	0.02	NEUTRAL	QP
5	0.1659	42.78	-12.38	55.16	32.98	9.78	0.02	NEUTRAL	Average
6	0.1659	47.13	-18.03	65.16	37.33	9.78	0.02	NEUTRAL	QP
7	0.1731	42.51	-12.30	54.81	32.71	9.78	0.02	NEUTRAL	Average
8	0.1731	46.82	-17.99	64.81	37.02	9.78	0.02	NEUTRAL	QP
9	0.1854	41.62	-12.62	54.24	31.81	9.79	0.02	NEUTRAL	Average
10	0.1854	45.33	-18.91	64.24	35.52	9.79	0.02	NEUTRAL	QP
11	0.1976	40.82	-12.89	53.71	31.01	9.79	0.02	NEUTRAL	Average
12	0.1976	45.22	-18.49	63.71	35.41	9.79	0.02	NEUTRAL	QP
13	0.2139	38.07	-14.98	53.05	28.26	9.79	0.02	NEUTRAL	Average
14	0.2139	43.52	-19.53	63.05	33.71	9.79	0.02	NEUTRAL	QP
15	0.3832	34.83	-13.38	48.21	25.00	9.79	0.04	NEUTRAL	Average
16	0.3832	42.16	-16.05	58.21	32.33	9.79	0.04	NEUTRAL	QP
17	0.3934	32.85	-15.14	47.99	23.02	9.79	0.04	NEUTRAL	Average
18	0.3934	44.06	-13.93	57.99	34.23	9.79	0.04	NEUTRAL	QP

Note:

$$\text{Level} = \text{Read Level} + \text{LISN Factor} + \text{Cable Loss}$$

4.2. Radiated Emissions Measurement

4.2.1. Limit

30dBc in any 100 kHz bandwidth outside the operating frequency band. In case the emission fall within the restricted band specified on 15.205(a), then the 15.209(a) limit in the table below has to be followed.

Frequencies (MHz)	Field Strength (micorvolts/meter)	Measurement Distance (meters)
0.009~0.490	2400/F(kHz)	300
0.490~1.705	24000/F(kHz)	30
1.705~30.0	30	30
30~88	100	3
88~216	150	3
216~960	200	3
Above 960	500	3

4.2.2. Measuring Instruments and Setting

Please refer to section 5 of equipments list in this report. The following table is the setting of spectrum analyzer and receiver.

Spectrum Parameter	Setting
Attenuation	Auto
Start Frequency	1000 MHz
Stop Frequency	10th carrier harmonic
RBW / VBW (Emission in restricted band)	1MHz / 3MHz for Peak, 1MHz / 1/T for Average
RBW / VBW (Emission in non-restricted band)	100kHz / 300kHz for peak

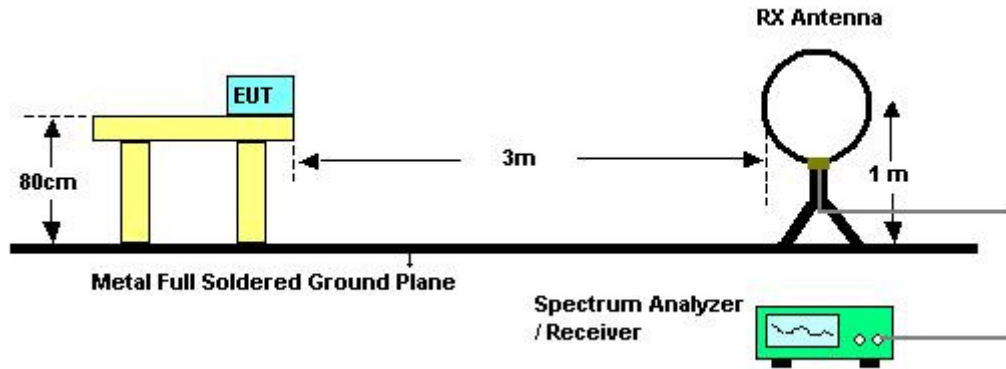
Receiver Parameter	Setting
Attenuation	Auto
Start ~ Stop Frequency	9kHz~150kHz / RBW 200Hz for QP
Start ~ Stop Frequency	150kHz~30MHz / RBW 9kHz for QP
Start ~ Stop Frequency	30MHz~1000MHz / RBW 120kHz for QP

4.2.3. Test Procedures

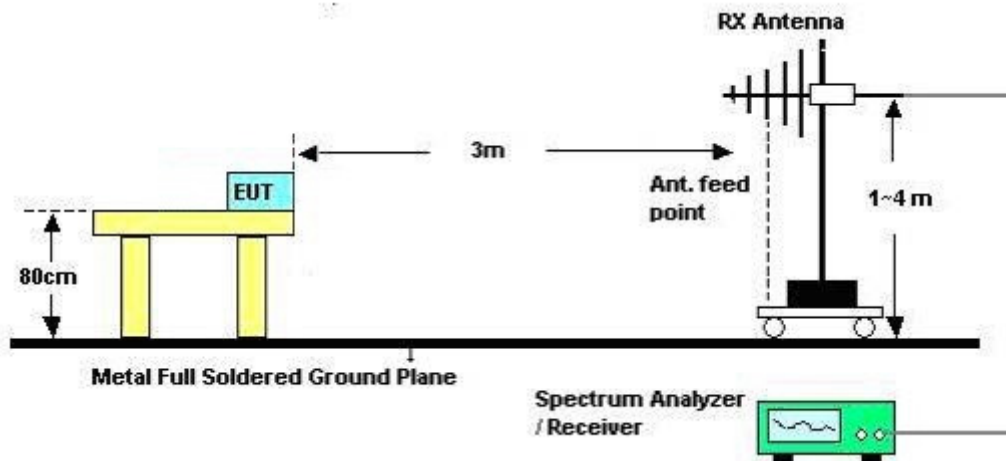
1. Configure the EUT according to ANSI C63.10. The EUT was placed on the top of the turntable 0.8 meter above ground. The phase center of the receiving antenna mounted on the top of a height-variable antenna tower was placed 1m & 3m far away from the turntable.
2. Power on the EUT and all the supporting units. The turntable was rotated by 360 degrees to determine the position of the highest radiation.
3. The height of the broadband receiving antenna was varied between one meter and four meters above ground to find the maximum emissions field strength of both horizontal and vertical polarization.
4. For each suspected emissions, the antenna tower was scan (from 1 m to 4 m) and then the turntable was rotated (from 0 degree to 360 degrees) to find the maximum reading.
5. Set the test-receiver system to Peak or CISPR quasi-peak Detect Function with specified bandwidth under Maximum Hold Mode.
6. For emissions above 1GHz, use 1MHz VBW and 3MHz RBW for peak reading. Then 1MHz RBW and 1/T VBW for average reading in spectrum analyzer.
7. If the emissions level of the EUT in peak mode was 3 dB lower than the average limit specified, then testing will be stopped and peak values of EUT will be reported, otherwise, the emissions which do not have 3 dB margin will be repeated one by one using the quasi-peak method for below 1GHz.
8. For testing above 1GHz, the emissions level of the EUT in peak mode was lower than average limit (that means the emissions level in peak mode also complies with the limit in average mode), then testing will be stopped and peak values of EUT will be reported, otherwise, the emissions will be measured in average mode again and reported.
9. In case the emission is lower than 30MHz, loop antenna has to be used for measurement and the recorded data should be QP measured by receiver. High – Low scan is not required in this case.

4.2.4. Test Setup Layout

For Radiated Emissions: 9kHz ~30MHz



For Radiated Emissions: 30MHz~1GHz



4.2.5. Test Deviation

There is no deviation with the original standard.

4.2.6. EUT Operation during Test

The EUT was programmed to be in continuously transmitting mode.

4.2.7. Results of Radiated Emissions (9kHz~30MHz)

Temperature	24°C	Humidity	65%
Test Engineer	Owen Hsu	Configurations	Normal Link
Test Date	Oct. 27, 2015	Test Mode	Mode 1

Freq. (MHz)	Level (dBuV)	Over Limit (dB)	Limit Line (dBuV)	Remark
-	-	-	-	See Note

Note:

The amplitude of spurious emissions which are attenuated by more than 20 dB below the permissible value has no need to be reported.

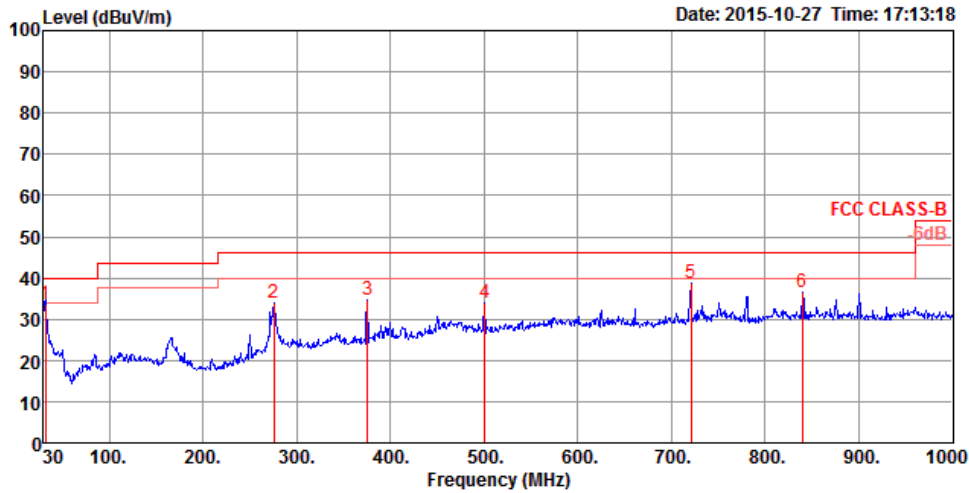
Distance extrapolation factor = $40 \log(\text{specific distance} / \text{test distance})$ (dB);

Limit line = specific limits (dBuV) + distance extrapolation factor.

4.2.8. Results of Radiated Emissions (30MHz~1GHz)

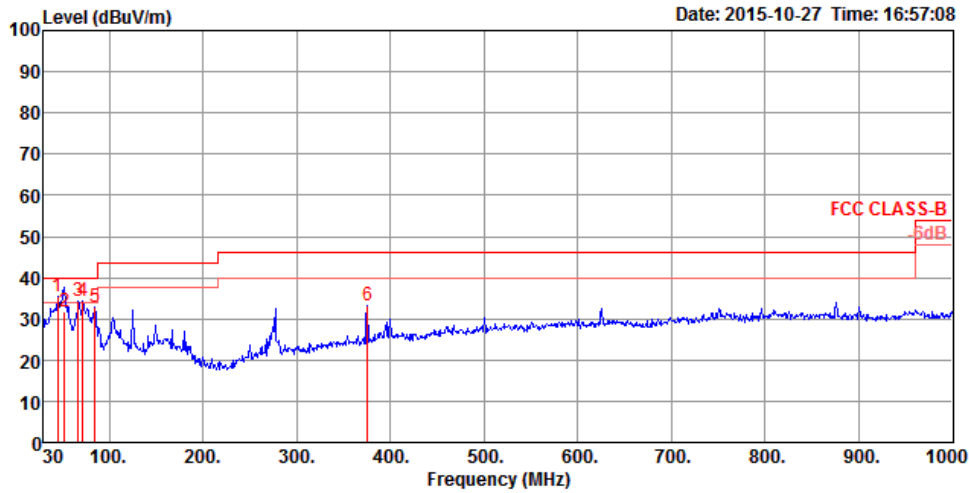
Temperature	24°C	Humidity	65%
Test Engineer	Owen Hsu	Configurations	Normal Link
Test Mode	Mode 1		

Horizontal



	Freq	Level	Limit	Over	Read	CableAntenna	Preamp	A/Pos	T/Pos	Remark	Pol/Phase
	MHz	dBuV/m	dBuV/m	dB	dBuV	dB	dB/m	dB	cm	deg	
1	31.94	33.53	40.00	-6.47	46.56	0.50	18.87	32.40	150	253 QP	HORIZONTAL
2	275.41	33.91	46.00	-12.09	51.24	1.41	13.55	32.29	100	231 Peak	HORIZONTAL
3	375.32	34.57	46.00	-11.43	49.29	1.67	15.93	32.32	150	211 Peak	HORIZONTAL
4	500.45	34.00	46.00	-12.00	46.58	1.94	17.83	32.35	200	224 Peak	HORIZONTAL
5	720.64	38.77	46.00	-7.23	48.79	2.31	20.01	32.34	125	208 Peak	HORIZONTAL
6	839.95	36.51	46.00	-9.49	44.85	2.51	21.19	32.04	100	196 Peak	HORIZONTAL

Vertical



	Freq	Level	Limit	Over	Read	CableAntenna	Preamp	A/Pos	T/Pos	Remark	Pol/Phase
	MHz	dBuV/m	dBuV/m	dB	dBuV	dB	dB/m	dB	cm	deg	
1	44.55	35.31	40.00	-4.69	55.57	0.60	11.55	32.41	100	2 Peak	VERTICAL
2	52.31	31.86	40.00	-8.14	55.16	0.63	8.48	32.41	100	1 QP	VERTICAL
3	66.86	34.42	40.00	-5.58	59.28	0.71	6.83	32.40	200	212 Peak	VERTICAL
4	71.71	34.29	40.00	-5.71	59.01	0.73	6.95	32.40	175	1 Peak	VERTICAL
5	84.32	32.95	40.00	-7.05	56.22	0.79	8.33	32.39	150	135 Peak	VERTICAL
6	375.32	33.39	46.00	-12.61	48.11	1.67	15.93	32.32	125	217 Peak	VERTICAL

Note:

The amplitude of spurious emissions that are attenuated by more than 20dB below the permissible value has no need to be reported.

Emission level (dBuV/m) = 20 log Emission level (uV/m).

Corrected Reading: Antenna Factor + Cable Loss + Read Level - Preamp Factor = Level.

4.3. Antenna Requirements

4.3.1. Limit

Except for special regulations, the Low-power Radio-frequency Devices must not be equipped with any jacket for installing an antenna with extension cable. An intentional radiator shall be designed to ensure that no antenna other than that furnished by the responsible party shall be used with the device. The use of a permanently attached antenna or of an antenna that uses a unique coupling to the intentional radiator shall be considered sufficient to comply with the provisions of this Section. The manufacturer may design the unit so that the user can replace a broken antenna, but the use of a standard antenna jack or electrical connector is prohibited. Further, this requirement does not apply to intentional radiators that must be professionally installed.

4.3.2. Antenna Connector Construction

Please refer to section 3.3 in this test report; antenna connector complied with the requirements.

5. LIST OF MEASURING EQUIPMENTS

Instrument	Manufacturer	Model No.	Serial No.	Characteristics	Calibration Date	Remark
EMI Test Receiver	R&S	ESCS 30	100355	9kHz ~ 2.75GHz	Apr. 22, 2015	Conduction (CO01-CB)
LISN	F.C.C.	FCC-LISN-50-16-2	04083	150kHz ~ 100MHz	Dec. 02, 2014	Conduction (CO01-CB)
LISN	Schwarzbeck	NSLK 8127	8127647	9kHz ~ 30MHz	Dec. 02, 2014	Conduction (CO01-CB)
COND Cable	Woken	Cable	01	150kHz ~ 30MHz	Dec. 03, 2014	Conduction (CO01-CB)
Software	Audix	E3	6.120210n	-	N.C.R.	Conduction (CO01-CB)
BILOG ANTENNA	Schaffner	CBL6112D	22021	20MHz ~ 2GHz	May 06, 2015	Radiation (03CH01-CB)
Pre-Amplifier	Agilent	8447D	2944A10991	0.1MHz ~ 1.3GHz	Feb. 24, 2015	Radiation (03CH01-CB)
Spectrum Analyzer	R&S	FSP40	100056	9kHz ~ 40GHz	Nov. 06, 2014	Radiation (03CH01-CB)
EMI Receiver	Agilent	N9038A	MY52260123	9kHz ~ 8.4GHz	Jan. 21, 2015	Radiation (03CH01-CB)
RF Cable-low	Woken	Low Cable-1	N/A	30 MHz ~ 1 GHz	Nov. 15, 2014	Radiation (03CH01-CB)
Loop Antenna	Teseq	HLA 6120	24155	9kHz - 30 MHz	Mar. 12, 2015*	Radiation (03CH01-CB)

Note: Calibration Interval of instruments listed above is one year.

“*” Calibration Interval of instruments listed above is two years.

N.C.R. means Non-Calibration required.

6. MEASUREMENT UNCERTAINTY

Test Items	Uncertainty	Remark
Conducted Emission (150kHz ~ 30MHz)	3.2 dB	Confidence levels of 95%
Radiated Emission (30MHz ~ 1,000MHz)	3.6 dB	Confidence levels of 95%