



5453 Great America Parkway  
Santa Clara, CA 95054  
USA  
408 547-5500  
www.arista.com

Our social responsibility includes conducting business in a manner that minimizes our ecological impact on the environment and reducing waste in our supply chain. To that end, the Quick Start Guide and Safety Manual are available at [www.arista.com](http://www.arista.com).

### Getting Started

Instructions on getting started with your new access point, including installation and initial configuration instructions, are available at

<http://www.arista.com/en/support/product-documentation>

Other documents available at this location include:

You can access Arista documentation at

<https://www.arista.com/en/support>

Documents available at this location include:

- Wireless Manager Appliance Quick Start Guide
- Safety and Compliance Guide
- WiFi Regulatory Compliance Statements
- User Manual

You may also download current software, as well as view FAQs, Warranty Information, Knowledge Base articles, Security Advisories, Software Licenses, and Field Notices at <https://www.arista.com/en/support>

### Receiving and Inspecting the Equipment

Upon receiving the access point, inspect the shipping boxes and record any external damage. Retain the packing materials if you suspect that part of the shipment is damaged; the carrier may need to inspect them.

If the boxes were not damaged in transit, unpack them carefully. Ensure that you do not discard any accessories that may be packaged in the same box as the main unit.

Inspect the packing list and confirm that you received all listed items. Compare the packing list with your purchase order.

### Obtaining Technical Assistance

Customers, partners, resellers, or distributors holding a valid Arista Service Contract can obtain technical support through these sources:

**Email:** [support-wifi@arista.com](mailto:support-wifi@arista.com). This is the easiest way to create a new service request.  
Include a detailed description of the problem and the output of "show tech-support".

**Web:** [www.arista.com/en/support](http://www.arista.com/en/support).  
A support case may be created through the support portal on our website.

**Headquarters**  
408 547-5500  
[www.arista.com](http://www.arista.com)

**Support**  
408 547-5502  
866 476-0000  
[support@arista.com](mailto:support@arista.com)

**Sales**  
408 547-5501  
866 497-0000  
[sales@arista.com](mailto:sales@arista.com)



# AP-O235 Getting Started Guide

**Note:** For a fully functional device, please update its firmware to the latest version.

## Package Contents

You should have received the following components in your O-235 package.

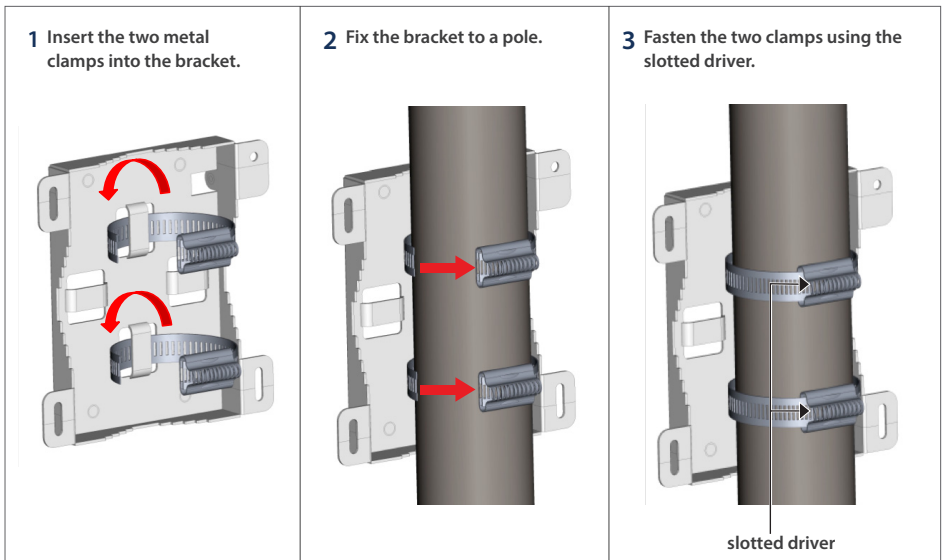


O-235

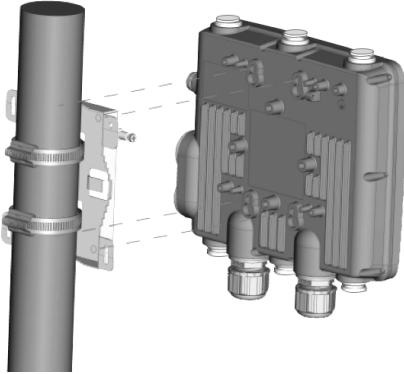
Mounting Accessories

## Mounting the O-235

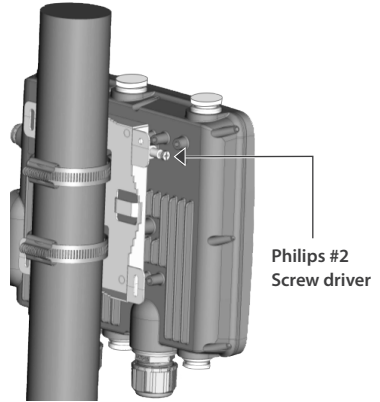
**Pole Mount:** Arista logo facing away from the pole.



**4** Mount the AP to the bracket.



**5** Tighten the thumb screw using Philips 2 screw driver.



**Note:** The product is designed for specific application and must be professionally installed by qualified personnel who has RF and related knowledge.

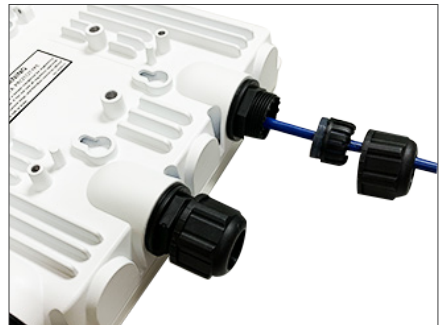
## Getting the O-235 Online

### Step 1: Power up

Plug one end of the Ethernet cable into the PoE+ switch or injector and plug the other end into the LAN1 (PoE+) on the O-235. Make sure the PoE+ source you are using is turned ON.

### Step 2: Connect to the network

As you are using PoE+, the O-235 should already be connected to your network.



### Step 3: Check the LED status

**Power LED:** The table below describes the states of the Power LED.

	Green	Orange
<b>Solid</b>	Running at full capability	Running at reduced capability
<b>Blinking</b>	Received IP address, but not connected to the server	Did not receive an IP address

Reduced capability indicates that the AP is getting less than the required maximum power from the PoE+ switch, i.e., 802.3af instead of 802.3at.

**LAN1 LED:** ON when the interface is up.

**LAN2 LED:** ON when the interface is up and either wired guest or link aggregation is configured.

**Radio LEDs:** ON when the corresponding radio is operational.

### Troubleshooting

Using an 802.11ax access point on a 100 Mbps or a 1 Gbps Ethernet connection may cause WiFi performance issues. Use the 5 Gbps Ethernet uplink for best results.

1. Check whether the Ethernet cable is plugged into the correct port (PoE+) on the AP and the other end of the cable is plugged into an Ethernet jack or port on a switch that is turned ON.
2. If the AP did not receive a valid IP address from the DHCP server, check whether the DHCP server is ON and available on the VLAN/subnet to which the AP is connected. If the AP still fails to get a valid IP address, reboot the AP by pressing the reset button to see if the problem gets resolved.
3. If you are using Arista Cloud Services, then open the TCP port 443 (SSL). If you have an on-premises installation, then open the ports UDP 3851 and port 80. If you are using a Proxy, Web Accelerator or URL Content Filter in between the AP and the Internet, ensure that the settings allow communication between the AP and Arista Cloud Services. If your configuration requires you to specify an exact IP address or IP range for Arista Cloud Services, please contact Technical Support.