



5453 Great America Parkway
Santa Clara, CA 95054
USA
408 547-5500
www.arista.com

Our social responsibility includes conducting business in a manner that minimizes our ecological impact on the environment and reducing waste in our supply chain. To that end, the Quick Start Guide and Safety Manual are available at www.arista.com.

Getting Started

Instructions on getting started with your new access point, including installation and initial configuration instructions, are available at

<http://www.arista.com/en/support/product-documentation>

Other documents available at this location include:

You can access Arista documentation at

<https://www.arista.com/en/support>

Documents available at this location include:

- Wireless Manager Appliance Quick Start Guide
- Safety and Compliance Guide
- WiFi Regulatory Compliance Statements
- User Manual

You may also download current software, as well as view FAQs, Warranty Information, Knowledge Base articles, Security Advisories, Software Licenses, and Field Notices at <https://www.arista.com/en/support>

Receiving and Inspecting the Equipment

Upon receiving the access point, inspect the shipping boxes and record any external damage. Retain the packing materials if you suspect that part of the shipment is damaged; the carrier may need to inspect them.

If the boxes were not damaged in transit, unpack them carefully. Ensure that you do not discard any accessories that may be packaged in the same box as the main unit.

Inspect the packing list and confirm that you received all listed items. Compare the packing list with your purchase order.

Obtaining Technical Assistance

Customers, partners, resellers, or distributors holding a valid Arista Service Contract can obtain technical support through these sources:

Email: support-wifi@arista.com. This is the easiest way to create a new service request.
Include a detailed description of the problem and the output of "show tech-support".

Web: www.arista.com/en/support.
A support case may be created through the support portal on our website.

Headquarters

408 547-5500
www.arista.com

Support

408 547-5502
866 476-0000
support@arista.com

Sales

408 547-5501
866 497-0000
sales@arista.com



AP-C230E Getting Started Guide

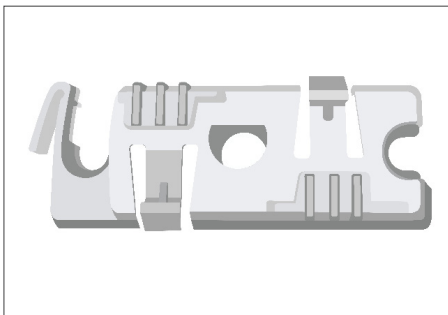
Note: For a fully functional device, please update its firmware to the latest version.

Package Contents

The C-230E package must contain the following components.

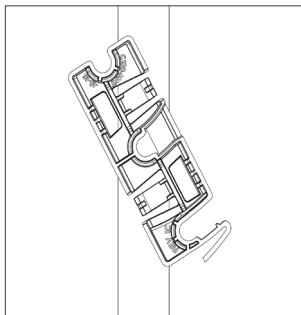


C-230E

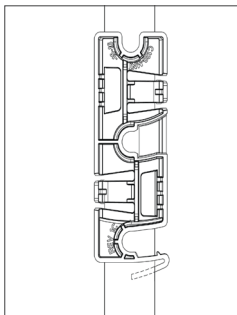


15/16" (24mm)
Mounting Bracket (MNT-AP-24MM)

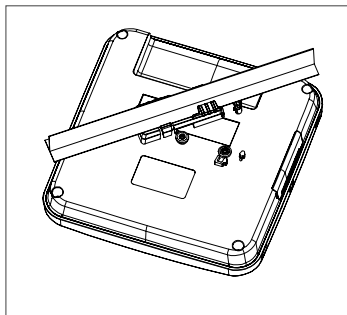
Ceiling Mounting the C-230E



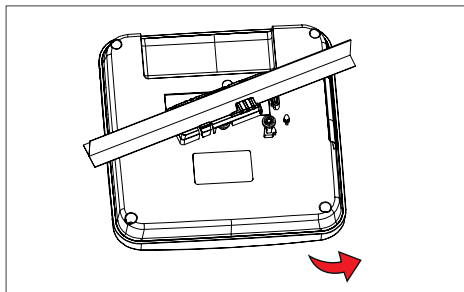
1. Affix bracket to T - Grid.



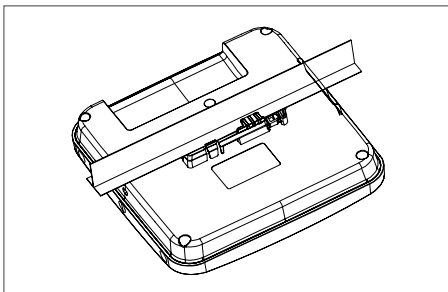
2. Rotate bracket to snap on to T-Grid.



3. Place the first mounting post on the rear-side of the device on to the lower notch of the bracket.

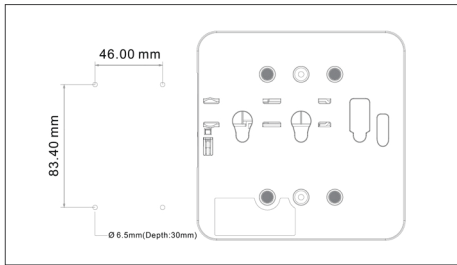


4. Rotate the device such that the center mounting post fits in to the center notch on the bracket.

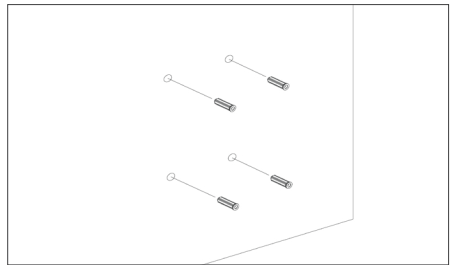


5. Ensure that all the mounting posts on the rear-side of the device are snapped in to the respective notches on the bracket.

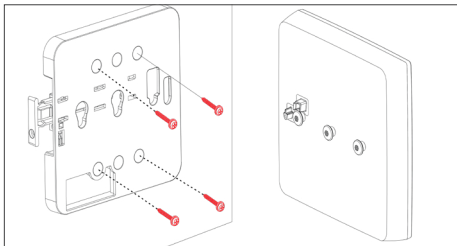
Wall Mounting the C-230E



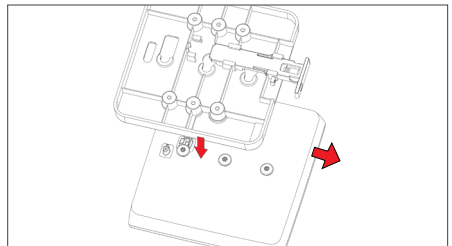
1. Drill four mounting holes in the wall.



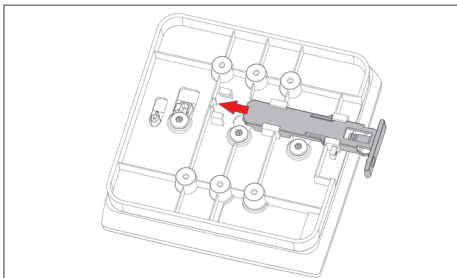
2. Insert four anchors.



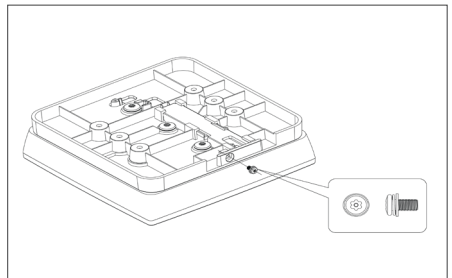
3. Affix mounting bracket on the wall



4. Attach device to the mounting bracket. Pull the release key outward. Attach the AP stubs to the bracket holder ensuring a firm fit.



5. Once attached, push in the release key to lock the hooks and make sure all hooks are locked in place.



6. Fasten release key screw with a tamper resistant T10 torx screwdriver to lock AP to the bracket.

Note: If needed, the wall mounting accessory SKU (MNT-AP-FLAT-14CM) can be ordered and purchased separately.

External Antennas: Connect dual-band antennas to the left and right ports (marked "2.4/5") and 5 GHz antennas to the center port (marked "5"). **Connector Type:** RP-SMA.





Getting the C-230E Online

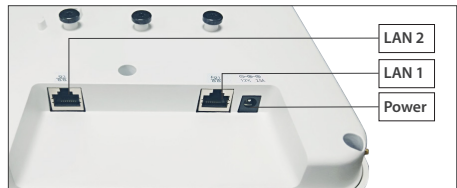
Step 1: Power up

Plug one end of an Ethernet cable into the PoE+ (802.3at) switch or injector and the other end into the Ethernet/PoE+ port on the C-230E. Ensure the PoE+ source you are using is turned ON, or use a compatible power adaptor (Arista SKU: PWR-AP-W4) to power the C-230E.

Warning: If you are not using PoE+, ensure that you use only an AC power adaptor supported by the C-230E access point (AP). This product is intended to be supplied by a Listed Direct Plug-In Power Unit marked “Class 2”, Listed Power Adapter or DC power source marked “L.P.S.” (or “Limited Power Source”) and rated from 12 V DC, 2.5A minimum.

Step 2: Connect to the network

If you are using a PoE+ injector, make sure the data connection is plugged into a suitable switch port with proper network connectivity.



Step 3: Check the LED status

Power LED: The table below describes the states of the Power LED.

| | Green | Orange |
|----------|--|-------------------------------|
| Solid | Running at full capability | Running at reduced capability |
| Blinking | Received IP address, but not connected to the server | Did not receive an IP address |

Reduced capability indicates that the AP is getting less than the required maximum power from the PoE switch, i.e., 802.3af instead of 802.3at.

LAN1 LED: ON when the interface is up.

LAN2 LED: ON when the interface is up and either wired guest or link aggregation is configured.

Radio LEDs: ON when the corresponding radio is operational.

Troubleshooting

Using an 802.11ax access point on a 100 Mbps or a 1 Gbps Ethernet connection may cause WiFi performance issues. Use the 5 Gbps Ethernet uplink for best results.

1. Check whether the Ethernet cable is plugged into the correct port (PoE+) on the AP and the other end of the cable is plugged into an Ethernet jack or port on a switch that is turned ON.
2. If the AP did not receive a valid IP address from the DHCP server, check whether the DHCP server is ON and available on the VLAN/subnet to which the AP is connected. If the AP still fails to get a valid IP address, reboot the AP by pressing the reset button to see if the problem gets resolved.
3. If you are using Arista Cloud Services, then open the TCP port 443 (SSL). If you have an on-premises installation, then open the ports UDP 3851 and port 80. If you are using a Proxy, Web Accelerator or URL Content Filter in between the AP and the Internet, ensure that the settings allow communication between the AP and Arista Cloud Services. If your configuration requires you to specify an exact IP address or IP range for Arista Cloud Services, please contact Technical Support.