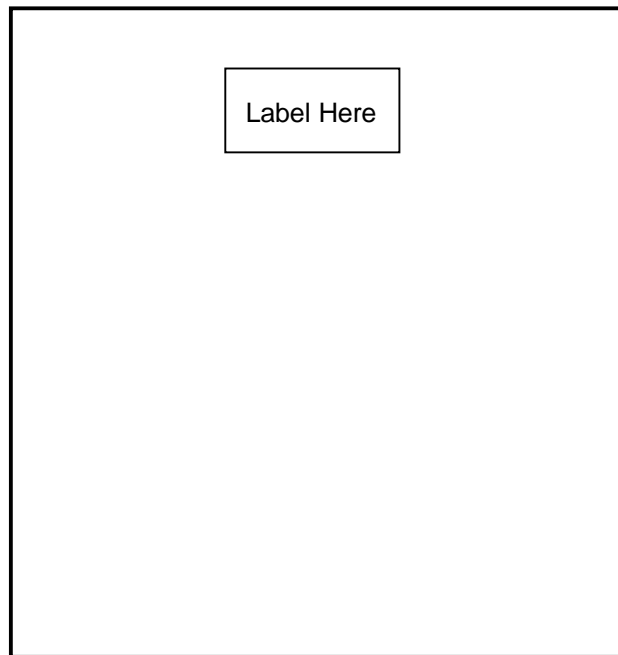


FCC LABEL LOCATION

The label will be permanently affixed at a conspicuous location on the device.

Back Side:



Safety Label Note:

1. Printing color: Black

2. 製造國家(MFG Country):

Decide by import and export country
for example:

- 1. MADE IN TAIWAN
- 2. MADE IN CHINA

印刷廠商代號(Vender ID): (CSA 要求標示)

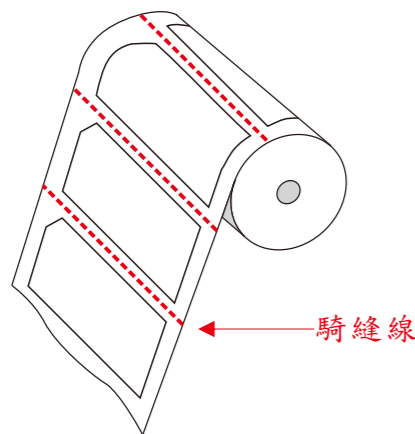
Decide by Vendor

製造工廠代號(MFG Factory): (UL要求標示)

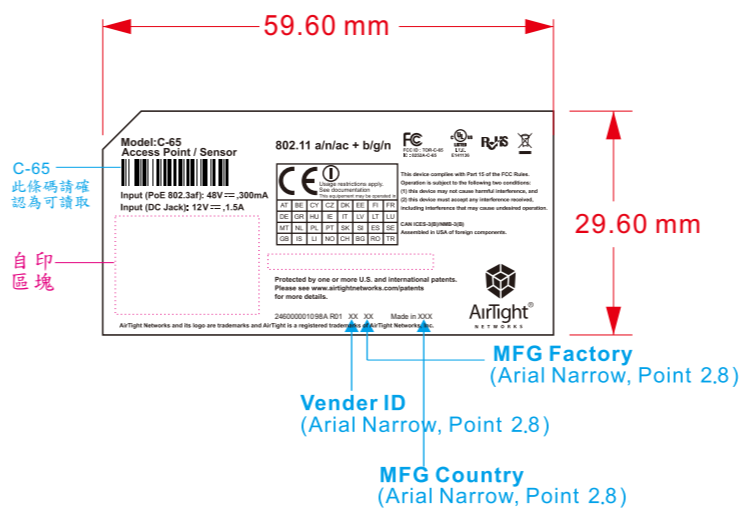
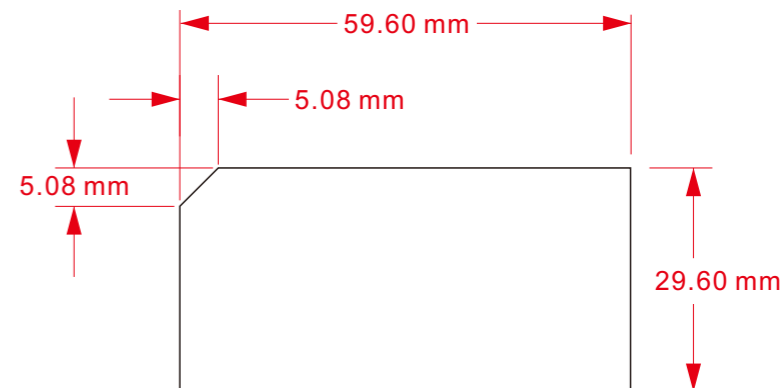
視代工廠而定(Decide by MFG Factory)

- 1. 昊陽 / Joytech (深圳 / ShenZhen)-----> None
- 2. Accton -----> AC

請"捲狀入料" ("↓直式"捲入)



騎縫線



Modification	Card Paper / Top lineboard				Corrugate list				Cardboard Die Cut Legend		Unspecialized Die Cut Tolerance = +/- 0.5 mm		PE Bag (A Degree)		Clear	Pink	Label list		Comply with RoHs		Accton TECHNOLOGY CORP.		
	GSN (g/m ²)	CCNB	SBS	Double SBS	Flute (A Degree)	Single wall	Double wall	Grade	Bursting Strength	End Coat Test	(C) Cutting Line	(C1) Crease Line	(PBL) Partial Blunt Line	(SO) Slit-score Line	(SL) Slit Line	Flute Direction	Manufacture Stamp	Glue Joint	Material & Thickness	Adhesive		Others	
1	250				A/C	Taiwan 230 X 180 X 230	China 250 X 150 X 250	16	33.6										Art paper	0.025mm / 25# / 1mil	Acrylic T=0.022mm	Material Spec: IQC Inspect Color Please refer to Approve Lin AUG07'14 Check Design Carry AUG07'14	Part No. 246000001098A REV.01 Description: UL LABEL EAP1018A1-FLF-FW UNIT SCALE 1 / 1 SIZE A3 MM (IN) Outside View Sheet 1 of 1
2	280				B	Taiwan 230 X 100 X 230	China 250 X 150 X 250	14	26.2										Metalized	0.050mm / 50# / 2mil	Acrylic UL approved T=0.022mm		
3	300				E	Taiwan 230 X 100 X 230	China 250 X 150 X 250	14	22.5										White Polyester	0.076mm / 75# / 3mil	"R" Adhesive T=0.022mm		
4	310				AB	Taiwan 230X100X100X100X230	China 250X100X100X100X250	18	37.1										(PP)Pepa paper	0.178mm / 7mil	Water Adhesive T=0.022mm		
5	340				BC	Taiwan 230 X 100 X 230	China 205 X 140 X 230	16	26										PC 8B35	0.254mm / 10mil	3M 467 T=0.05mm / 2mil		
6	350				A/C	Taiwan 220 X 100 X 200	China 175 X 140 X 230	14	28.5										PC 8010	0.381mm / 15mil	3M 468 T=0.127mm / 5mil		
7					E	Taiwan 220 X 100 X 200	China 175 X 100 X 250	12	18.6										Other	0.500mm / 20mil	3M 7945 T=0.127mm / 5mil		
This document and the technical data disclosed are proprietary to Accton Tech. Corp. and shall not be duplicated, used, released, or disclosed without expressed written permission.																							