

Electromagnetic Emission

FCC MEASUREMENT REPORT

CERTIFICATION

OF

FCC PART15 Subpart B COMPLIANCE

PRODUCT : VOICEYE PC MATE
MODEL/TYPE NO : VPC-200
FCC ID : TOLVPC200
TRADE NAME : -

APPLICANT : AD Information & Communications Co., Ltd.
#608, Ace Techno Tower 8th, 191-7, Guro-dong, Guro-gu, Seoul, Korea

FCC CLASSIFICATION : JBP : Part 15 Class B Computer Device Peripheral
FCC RULE PART(S) : FCC Part 15 Subpart B Class B
FCC PROCEDURE : Certification
DATES OF TEST : February 2, 2007
DATES OF ISSUE : February 7, 2007
TEST REPORT No. : BWS-07-EF-0009
TEST LAB. : BWS TECH Inc. (Registration No. : 553281)

This VOICEYE MATE has been tested in accordance with the measurement procedures specified in ANSI C63.4-2003 at the BWS TECH/EMC Test Laboratory and has been shown to be complied with the electromagnetic emission limits specified in FCC Rule Part15 Subpart B Section15.107 and 15.109

I attest to the accuracy of data. All measurement herein were performed by me or were made under my supervision and are correct to the best of my knowledge and belief. I assume full responsibility for the completeness of these measurements and vouch for the qualifications of all persons taking them. The results of testing in this report apply to the product/system which was tested only. Other similar equipment will not necessarily produce the same results due to production tolerance and measurement uncertainties.

February 7, 2007
(Date)



Nam, Tae-Hyun
Chief Engineer
Laboratory Division

BWS TECH Inc.

www.bws.co.kr

2611-1, Maesan-ri, Mohyeon-myeon, Cheoin-gu, Yongin-si, Gyeonggi-do 449-853, Korea
TEL: +82 31 333 5997 FAX: +82 31 333 0017

This report only responds and may not be reproduced, except in full, without written approval of the BWS TECH, Inc.

TABLE OF CONTENTS

	Pages
1. General Information	3
2. Description of Test Facility	4
3. Product Information	5
4. Description of Tests	6~7
5. Test Condition	8~10
6. Test Results	11~15
7. Sample Calculation and Other Information	16
8. Test Equipment List	17
Appendix 1. Test Setup Photos	
Appendix 2. FCC ID Label and location	
Appendix 3. External Photos of EUT	
Appendix 4. Internal Photos of EUT	
Appendix 5. Block Diagram	
Appendix 6. User Manual	

FCC TEST REPORT

Scope – Measurement and determination of electromagnetic emission(EME) of radio frequency devices including intentional radiators and/or unintentional radiators for compliance with the technical rules and regulations of the U.S Federal Communications Commission(FCC).

1. General Information

Applicant Name : AD Information & Communications Co., Ltd.
Applicant Address : #608, Ace Techno Tower 8th, 191-7, Guro-dong, Guro-gu, Seoul, Korea
Manufacturer Name : AD Information & Communications Co., Ltd.
Manufacturer Address : #608, Ace Techno Tower 8th, 191-7, Guro-dong, Guro-gu, Seoul, Korea
Contact Person : Kim, Han-yong
Phone/Fax : Phone : +82-2-2025-7750 / Fax : +82-2-2025-7754

- **EUT Type** : VOICEYE MATE
- **Model Number** : VPC-200
- **FCC Identifier** : TOLVPC200
- **S/N** : Prototype
- **FCC Rule Part(s)** : Part 15 Subpart B Class B
- **Test Procedure** : ANSI C63.4-2003
- **Date of Tests** : February 7, 2007
- **Place of Tests** : BWS TECH Inc.
EMC Testing Lab (FCC Registration Number : 553281)
611-1, Maesan-ri, Mohyeon-myeon, Cheoin-gu, Yongin-si, Gyeonggi-do
449-853, Korea
TEL: +82 31 333 5997 FAX: +82 31 333 0017
- **Test Report No.** : BWS-07-EF-0009

2. Description of Test Facility

The measurement for radiated emission test were practiced at the open area test site of BWS TECH Inc. Measurement for conducted emission test were practiced at the semi EMC Anechoic Chamber test site of BWS TECH Inc. facility located at *611-1, Maesan-ri, Mohyeon-myeon, Cheoin-gu, Yongin-si, Gyeonggi-do 449-853, Korea*. The site is constructed in conformance with the requirements of the ANSI C63.4-2003 and CISPR Publication 16. The BWS TECH measurement facility has been filed to the Commission with the FCC for 3 and 10 meter site configurations. Detailed description of test facility was found to be in compliance with the requirements of Section 2.948 FCC Rules according to the ANSI C63.4-2003 and registered to the Federal Communications Commission(Registration Number : 553281).

The measurement procedure described in American National Standard for Method of Measurement of Radio-Noise Emission from Low-Voltage Electrical and Electronic Equipment in the Range of 9 kHz to 40 GHz (ANSI C.63.4-2003) was used in determining radiated and conducted emissions from the AD Information & Communications Co., Ltd. VOICEYE PC MATE Model : VPC-200

3. Product Information

3.1 Equipment Description

Dimension	43 x 48 x 67 mm, 1.7" x 1.9" x 2.6"
Weight	80g, 0.18 lbs
Image Sensor	1/2 inch CMOS Color SXGA sensor
Color	24bit RGB Color
Pixel Array Size	1280 x 1024 pixels
Exposure	Automatic & Manual Control
Signal Noise Ratio	54 dB
Max. Image Transfer Rate	15 FPS (Frame Per Sec)
Interface	USB 2.0
USB Cable Length	1.2 m, 3.9'

3.2 Variations covered by this report

Model Difference : N/A

Technical Deviation : N/A

3.3 Additional Information Related to Testing

Test results apply only to the particular sample tested and functionality described in this test report.

This report may be reproduced in full. Partial reproduction may only be made with the written permission of the BWS TECH Inc.

4. Description of Tests

4.1 Conducted Emission Measurement

Conducted emissions measurements were made in accordance with section 11, "Measurement of Information Technology Equipment" of ANSI C63.4-2003. The measurement were performed over the frequency range of 0.15MHz to 30MHz using a 50 Ω /50uH LISN as the input transducer to a Spectrum Analyzer or a Field Intensity Meter. The measurements were made with the detector set for "Peak" amplitude within an bandwidth of 10KHz or for "quasi-peak" within a bandwidth of 9KHz.

The line-conducted emission test is conducted inside a shielded anechoic chamber room with 1m x 1.5m x 0.8m wooden table which is placed 40cm away from the vertical wall and 1.5m away from the side wall of the chamber room. Two LISNs are bonded to bottom plane of the shielded room. The EUT is powered from the Com-power LISN and the support equipment is powered from the another Com-power LISN. Power to the LISNs is filtered by a noise cut power line filters. All electrical cables are shielded by braided tinned steel tubing with inner ϕ 1.2cm. If the EUT is a DC-powered device, power will be derived from the source power supply it normally will be powered from and these supply lines will be connected to the Com-power LISN. All interconnecting cables more than 1m were shortened by non-inductive bundling (serpentine fashion) to a 1m length. Sufficient time for the EUT, support equipment, and test equipment was allowed in order for them to warm up to their normal operating condition. The RF output of the LISN was connected to the PMM9000 Spectrum Analyzer to determine the frequency producing the max. Emission from the EUT. The frequency producing the max. Level was reexamined using the detector function set to the CISPR Quasi-Peak mode by manual, after scanned by automatic Peak mode from 0.15 to 30MHz. The bandwidth of the Spectrum Analyzer was set to 9kHz. The EUT, support equipment, and interconnecting cables were arranged and manipulated to maximize each emission. Each emission was maximized by switching power lines, varying the mode of operation or resolution, clock or data exchange speed, if applicable, whichever determined the worst-case emission. Each emission reported was calibrated using self-calibrating mode.

Photographs of the worst-case emission can be seen in photographs of conducted emission test setup.

4.2 Radiated Emission Measurement

Preliminary measurements were made at indoors 3 meter semi EMC Anechoic Chamber using broadband antennas, broadband amplifier, and spectrum analyzer to determine the emission frequencies producing the maximum EME.

Appropriate precaution was taken to ensure that all emissions from the EUT were maximized and investigated. The system configuration, mode of operation, turntable azimuth with respect to the antenna were noted for each frequency found. The spectrum was scanned from 30 to 1000 MHz using bilog antenna and above 1000 MHz, linearly polarized double ridge horn antennas were used. Above 1GHz, linearly polarized double ridge horn antennas were used. The measurements were performed with three frequencies which were selected as bottom, middle and top frequency in the operating band. Emission level from the EUT with various configurations was examined on the spectrum analyzer connected with the RF amplifier and plotted graphically.

Final measurements were made outdoors open site at 3-meter test range using bilog antenna. The output from the antenna was connected, via a pre-selector or a preamplifier, to the input of the EMI Measuring Receiver and Spectrum analyzer(for above 1 GHz). The detector function was set to the quasi-peak or peak mode as appropriate. The measurement bandwidth on the Field strength receiver was set to at least 120 kHz (1MHz for measurement above 1 GHz), with all post-detector filtering no less than 10 times the measurement bandwidth. Sufficient time for the EUT, support equipment, and test equipment was allowed in order for them to warm up to their normal operating condition.

Each frequency found during preliminary measurement was examined and investigated as the same set up and configuration which produced the maximum emission The EUT, support equipment and interconnecting cables were configured to the set-up producing the maximum emission for the frequency and were placed on top of a 0.8-meter high non-metallic 1m x 1.5 meter table. The turntable containing the system was rotated and the antenna height was varied 1 to 4 meters and stopped at the azimuth or height producing the maximum emission.

Each emission was maximized by varying the mode of operating frequencies of the EUT. The system was tested in all the three orthogonal planes and changing the polarity of the antenna. The worst case emissions are recorded in the data tables. If necessary, the radiated emission measurement could be performed at a closer distance to ensure higher accuracy and the results were extrapolated to the specified distance using an inverse linear distance extrapolation factor(20 dB/decade) as per section 15.31(f).

Photographs of the worst-case emission test setup can be seen in Appendix 1.

5. Test Condition

5.1 Test Configuration

The device was configured for testing in a typical fashion (as a customer would normally use it). During the tests, the EUT and the supported equipments were installed to meet FCC requirement and operated in a manner which tends to maximize its emission level in a typical application.

Radiated Emission Test

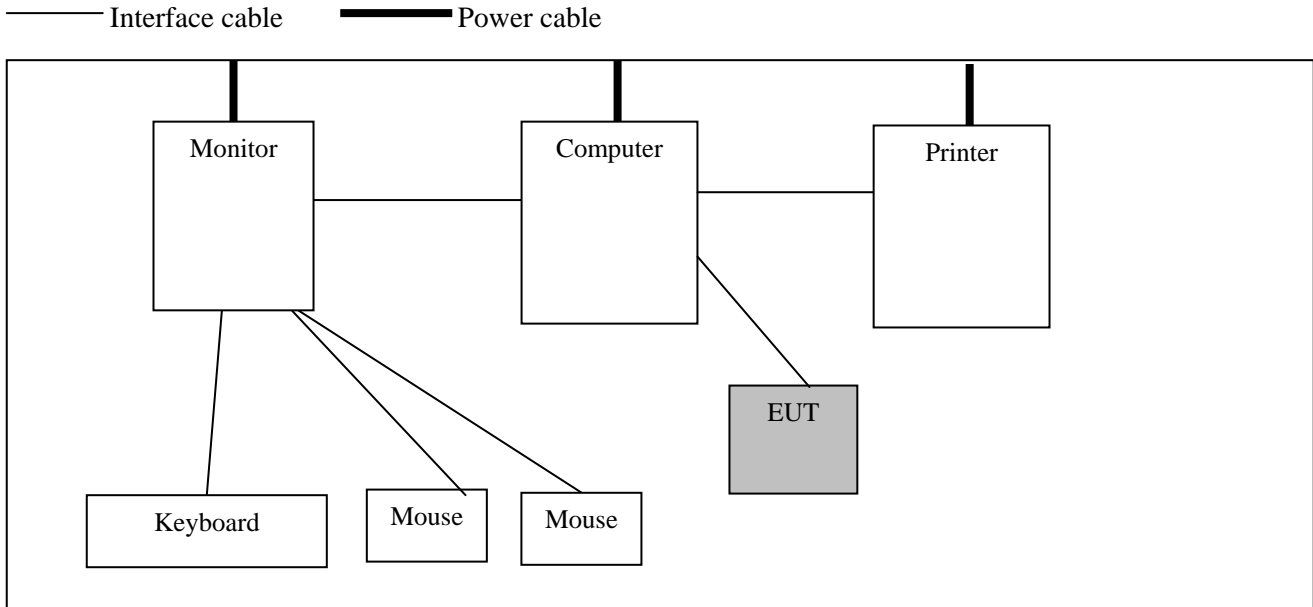
Preliminary radiated emission tests were performed using the procedure in ANSI C63.4/2003 Clause 8.3 to determine the worst operating condition. Final radiated emission tests were conducted at 3 meter open field test site.

5.2 EUT operation

EUT was tested according to the following operation modes provided by the specifications given by the manufacturer, and reported the worst emissions.

Operation Modes	Worst Case Mode
The state transmitting scanning data by EUT to pc	<input checked="" type="checkbox"/>

5.3 Test System layout on EUT and peripherals



5.4 Peripherals / Support Equipment Used

Following peripheral devices and interface cables were connected during the measurement:

Type of Peripheral Equipment Used:

Description	Model Name	Serial No.	Manufacturer	FCC ID
EUT	VPC-200	N/A	AD Information & Communications Co., Ltd.	TOLVCP200
Computer	VDHM(Optiplex GX240)	N/A	Dell	-
Monitor	M782	BH68-00440P-02	SAMSUNG	-
Keyboard	SMD4700P	B69420MLPPY0TW	HP	-
Mouse	M-SAW	LZE21070425	LOGITECH.	-

Type of Cables Used:

Device from	Device to	Type of Cable	Length(m)	Type of shield
Computer	Monitor	VIDEO	1.8	Shielded
Computer	Keyboard	PS/2	2.1	Unshielded
Computer	Mouse	PS/2	1.8	Unshielded
Computer	Mouse	SERIAL	1.5	Unshielded
Computer	Printer	PARALLEL	1.9	Shielded
Computer	Power Socket	INLET	1.5	Unshielded
EUT	Computer	USB	1.0	Shielded

6. TEST RESULTS

6.1 Summary of Test Results

The measurement results were obtained with the EUT tested in the conditions described in this report. Detailed measurement data and plots showing the maximum emission of the EUT are reported.

FCC Rule Parts	Measurement Required	Result
15.107(a)	Conducted Emission	Passed by -12.21 dB
15.109(g)	Radiated Emissions	Passed by -3.31 dB

The data collected shows that the AD Information & Communications Co., Ltd. VOICEYE PC MATE Models: VPC-200 complies with technical requirements of the Part 15.107 and 15.109 of the FCC Rules.

Note : Modification to EUT

The device tested is not modified anything, mechanical or circuits to improve EMI status during a measurement. No EMI suppression device(s) was added and/or modified during testing.

6.2 Conducted Emissions

EUT : VOICEYE PC MATE model : VPC-200
 Limit apply to : FCC Part15 Subpart B Class B Section 15.107(a)
 Test Date : February 2, 2007
 Operating Condition : The state transmitting scanning data by EUT to pc
 Environment Condition : Temperature : 26 °C, Humidity Level : 41 %RH
 Result : Passed by -13.43 dB

The following table shows the highest levels of conducted emissions on both phase of Hot and Neutral line.

Tabulated Conducted Emission Test Data

Detector Mode ; CISPR Quasi Peak mode (6dB Bandwidth : 9kHz).

Freq [MHz]	Correcton		Phase [H/N]	Quasi-Peak Mode				Average Mode			
	AMN	C.L		Limit	Reading	Emission Level	Margin	Limit	Reading	Emission Level	Margin
				[dBuV]	[dBuV]	[dBuV]	[dBuV]	[dBuV]	[dBuV]	[dBuV]	[dBuV]
0.150	0.06	0.03	N	66.00	49.67	49.76	16.24	56.00			
0.202	0.07	0.10	H	64.60	36.89	37.06	27.54	54.60			
0.286	0.07	0.16	H	62.10	23.54	23.77	38.33	52.10			
0.306	0.08	0.22	H	61.60	28.21	28.51	33.09	51.60			
0.406	0.08	0.26	N	58.70	26.16	26.50	32.20	48.70			
0.458	0.07	0.28	H	57.30	22.14	22.49	34.81	47.30			
0.794	0.08	0.30	H	56.00	30.14	30.52	25.48	46.00			
1.014	0.04	0.40	H		29.57	30.01	25.99				
1.590	0.03	0.48	H		32.20	32.71	23.29				
2.386	0.03	0.57	H		41.97	42.57	13.43				
3.378	0.03	0.66	H		33.33	34.02	21.98				
4.374	0.04	0.80	H		35.43	36.27	19.73				
6.476	0.05	0.93	N	60.00	34.38	35.36	24.64	50.00			
10.140	0.08	1.03	H		36.50	37.61	22.39				
15.888	0.07	1.22	N		33.61	34.90	25.10				
20.493	0.06	1.38	N		34.64	36.08	23.92				
24.548	0.09	1.49	H		36.20	37.78	22.22				
27.828	0.21	1.59	N		37.23	39.03	20.97				

NOTES :

1. H : Hot Line , N :Neutral Line
2. Emission Level = Reading + Correction Factor
3. Measurements were performed at the AC Power Inlet of the host PC with the EUT plugged in the frequency band of 150kHz ~30MHz
4. Margin = Limit - Emission Level
5. Measurement uncertainty estimated at ±3.45 dB.
 The measurement uncertainty is given with a confidence of 95 % with the coverage factor, k=2.



Tested by Han, Hee -Seun

6.3 Radiated Emissions

EUT : VOICEYE PC MATE model : VPC-2000
 Limit apply to : FCC Part15 Subpart B Class B Section 15.109(g)
 Test Date : February 2, 2007
 Operating Condition : The state transmitting scanning data by EUT to pc
 Environment Condition : Temperature : 0 °C, Humidity Level : 41 %RH
 Result : Passed by -3.31 dB

Radiated Emission Test Data

The following table shows the highest levels of radiated emissions on both polarization of horizontal and vertical.

Detector mode : CISPR Quasi-Peak mode (6dB Bandwidth : 120 kHz)

Measurement Distance : 3 meters

Frequency [MHz]	Reading [dB μ V]	Polarization [*H/**V]	Ant.Factor [dB/m]	Cable Loss [dB]	Limit [dB μ V/m]	Emission Level [dB μ V/m]	Margin [dB]
33.25	16.91	H	11.94	1.30	40.00	30.15	9.85
57.35	15.92	H	12.24	1.71	40.00	29.87	10.13
120.14	17.51	H	11.63	2.39	43.50	31.53	11.97
177.78	21.33	V	12.19	2.96	43.50	36.48	7.02
200.18	23.86	V	10.12	3.15	43.50	37.13	6.37
216.08	23.10	H	10.31	3.27	46.00	36.68	9.32
293.43	22.58	H	13.19	3.84	46.00	39.61	6.39
360.08	21.10	H	14.84	4.23	46.00	40.17	5.83
480.10	20.35	H	17.38	4.96	46.00	42.69	3.31
648.15	15.35	H	20.35	5.86	46.00	41.56	4.44
720.13	14.32	V	21.45	6.29	46.00	42.06	3.94
744.15	12.89	V	22.05	6.46	46.00	41.40	4.60

NOTES :

- *H : Horizontal polarization , **V : Vertical polarization
- Emission Level = Reading + Antenna factor + Cable loss
- Margin value = Limit - Emission Level
- All other emissions not reported were more than 25dB below the permitted limit.
- Measurement uncertainty estimated at ± 3.45 dB.
 The measurement uncertainty is given with a confidence of 95 % with the coverage factor, k=2.

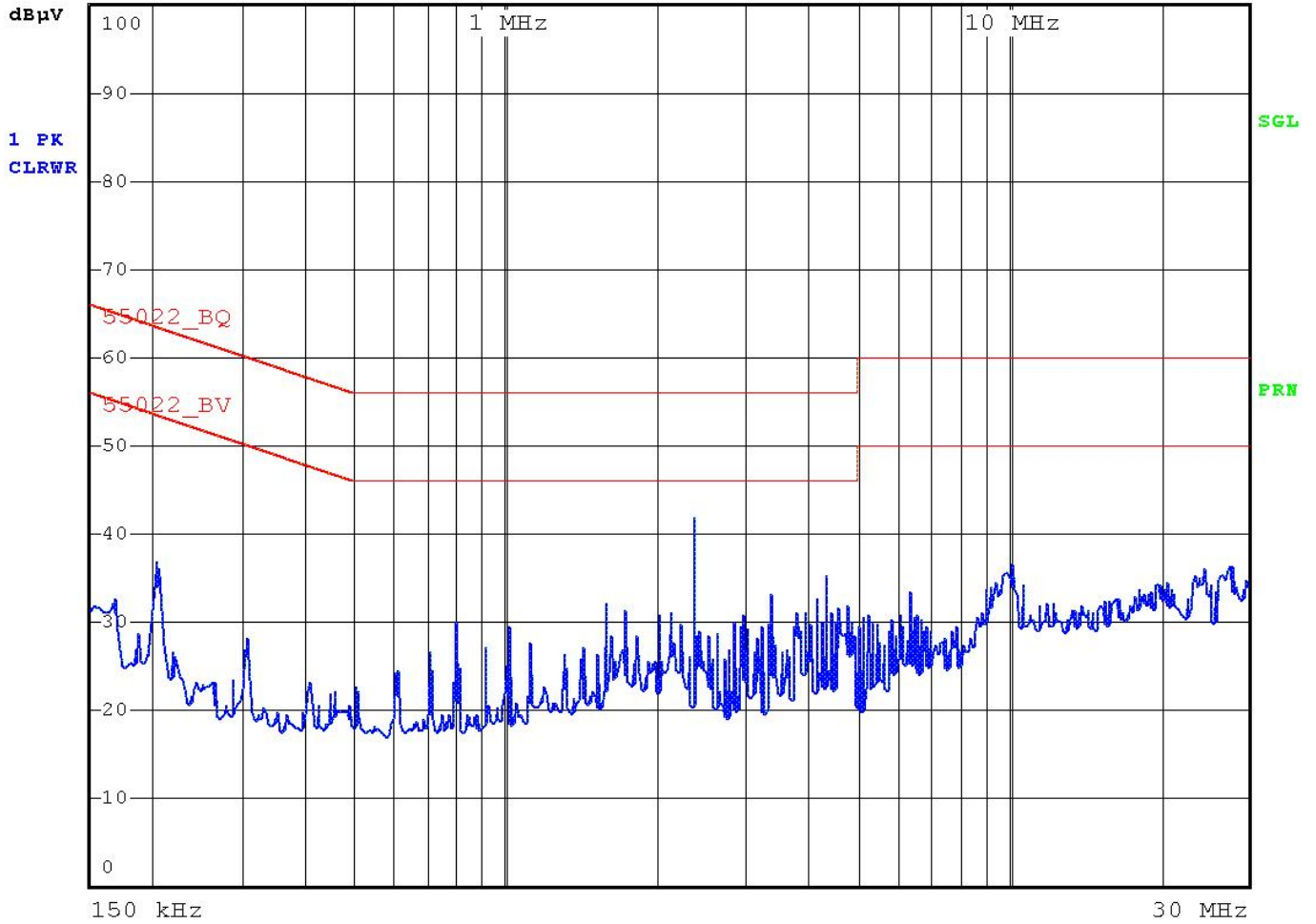

 Tested by Han, Hee -Seun

Plots of Conducted Emission Test



RBW 9 kHz
 MT 5 ms
 PREAMP OFF

Att 10 dB

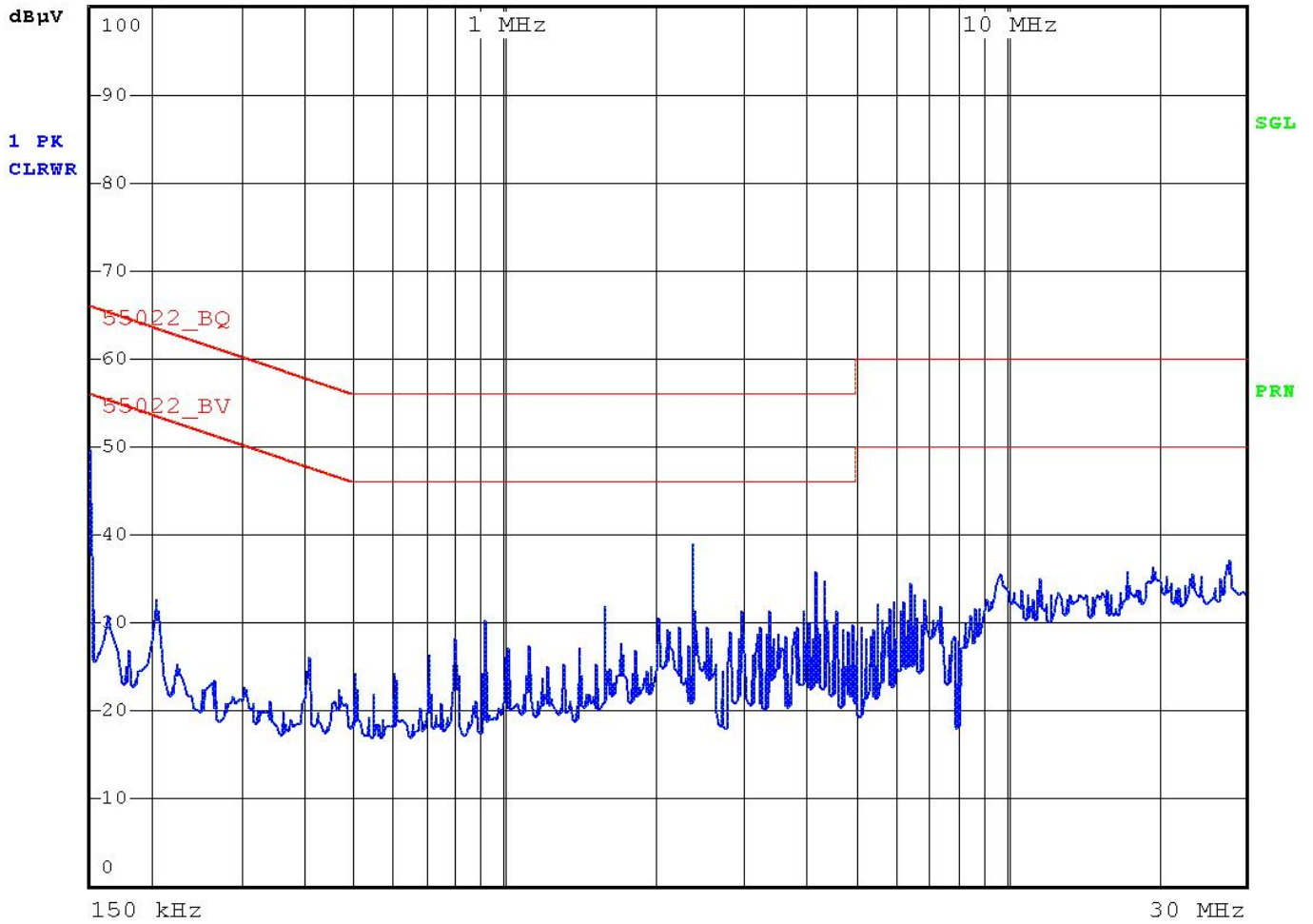


Plots of Conducted Emission Test



RBW 9 kHz
 MT 5 ms
 PREAMP OFF

Att 10 dB



7. Sample Calculation and Other Information

7.1 Sample Calculations

$$\text{dB}\mu\text{V} = 20 \log_{10} (\mu\text{V}/\text{m})$$

$$\mu\text{V} = 10^{(\text{dB}\mu\text{V}/20)}$$

EX. 1.

@ 2.386 MHz Class B limit(Qusi-Peak) = 56.00 dB μ V
Reading = 41.97 dB μ V (calibrated level)
AMN factor + Cable Loss = 0.60 dB
Total = 42.57 dB μ V/m
Margin = 42.57 – 56.00 = -13.43
13.43 dB ; below limit

EX. 2.

@ 480.18 MHz Class B limit = 46.00 dB μ V/m
Reading = 20.35 dB μ V(calibrated level)
Antenna factor + Cable Loss = 22.34 dB
Total = 42.69 dB μ V/m
 $10^{(43.12/20)} = \mu\text{V}/\text{m}$
Margin = 42.69 – 46.00 = -3.31 dB
3.31 dB ; below limit

8. TEST EQUIPMENTS LIST

The listing below denotes the test equipments utilized for the test(s).

Equipment Type	Model	Manufacture	Serial No	Cal Due Date	Use
Test Receiver	ESPI	ROHDE&SCHWARZ	100063	11. 09. 2007	<input checked="" type="checkbox"/>
Artificial Mains Network	L3-25	PMM	1110K70403	09. 09. 2007	<input checked="" type="checkbox"/>
Conducted Cable	N/A	N/A	N/A	N/A	<input checked="" type="checkbox"/>
LISN	FCC0LISN-50-50-2-02	FCC	03074	11. 13. 2007	<input checked="" type="checkbox"/>
Bilog Antenna	VULB 9160	SCHWARZBECK	9160-3122	12. 29. 2007	<input checked="" type="checkbox"/>
Open Site Cable	N/A	N/A	N/A	N/A	<input checked="" type="checkbox"/>
Antenna Mast	JAC-3	DAIL EMC	N/A	N/A	<input checked="" type="checkbox"/>
Antenna Turntable Controller	JAC-2	JAEMC	N/A	N/A	<input checked="" type="checkbox"/>
EMI Receiver	ESVN30	ROHDE&SCHWARZ	832854/010	06. 22. 2007	<input checked="" type="checkbox"/>