



# Electromagnetic Emission

# FCC MEASUREMENT REPORT

## CERTIFICATION

## OF

## FCC PART15 Subpart B COMPLIANCE

**PRODUCT** : VOICEYE MATE  
**MODEL/TYPE NO** : VMP-100  
**FCC ID** : TOLVMP100  
**TRADE NAME** : -

**APPLICANT** : AD Information & Communications Co., Ltd.  
 #608, Ace Techno Tower 8<sup>th</sup>, 191-7, Guro-dong, Guro-gu, Seoul, Korea

**FCC CLASSIFICATION** : JBP : Part 15 Class B Computer Device Peripheral  
**FCC RULE PART(S)** : FCC Part 15 Subpart B Class B  
**FCC PROCEDURE** : Certification  
**DATES OF TEST** : January 7, 2006  
**DATES OF ISSUE** : January 31, 2006  
**TEST REPORT No.** : BWS-06-EF-0004  
**TEST LAB.** : BWS TECH Inc. (Registration No. : 553281)

This VOICEYE MATE has been tested in accordance with the measurement procedures specified in ANSI C63.4-2003 at the BWS TECH/EMC Test Laboratory and has been shown to be complied with the electromagnetic emission limits specified in FCC Rule Part15 Subpart B Section15.107 and 15.109

I attest to the accuracy of data. All measurement herein were performed by me or were made under my supervision and are correct to the best of my knowledge and belief. I assume full responsibility for the completeness of these measurements and vouch for the qualifications of all persons taking them. The results of testing in this report apply to the product/system which was tested only. Other similar equipment will not necessarily produce the same results due to production tolerance and measurement uncertainties.

January 31, 2006  
 (Date)

Nam, Tae-Hyun  
 Chief Engineer  
 Laboratory Division

**BWS TECH Inc.**

[www.bws.co.kr](http://www.bws.co.kr)

2611-1, Maesan-ri, Mohyeon-myeon, Cheoin-gu, Yongin-si, Gyeonggi-do 449-853, Korea  
 TEL: +82 31 333 5997 FAX: +82 31 333 0017

*This report only responds and may not be reproduced, except in full, without written approval of the BWS TECH, Inc.*

---

## TABLE OF CONTENTS

---

	Pages
<b>1. General Information</b>	3
<b>2. Description of Test Facility</b>	4
<b>3. Product Information</b>	5
<b>4. Description of Tests</b>	6~7
<b>5. Test Condition</b>	8~10
<b>6. Test Results</b>	11~19
<b>7. Sample Calculation and Other Information</b>	20
<b>8. Test Equipment List</b>	21
<b>Appendix 1. Test Setup Photos</b>	
<b>Appendix 2. FCC ID Label and location</b>	
<b>Appendix 3. External Photos of EUT</b>	
<b>Appendix 4. Internal Photos of EUT</b>	
<b>Appendix 5. Block Diagram</b>	
<b>Appendix 6. User Manual</b>	



# FCC TEST REPORT

**Scope** – Measurement and determination of electromagnetic emission(EME) of radio frequency devices including intentional radiators and/or unintentional radiators for compliance with the technical rules and regulations of the U.S Federal Communications Commission(FCC).

## 1. General Information

**Applicant Name** : AD Information & Communications Co., Ltd.  
**Applicant Address** : #608, Ace Techno Tower 8<sup>th</sup>, 191-7, Guro-dong, Guro-gu, Seoul, Korea  
**Manufacturer Name** : AD Information & Communications Co., Ltd.  
**Manufacturer Address** : #608, Ace Techno Tower 8<sup>th</sup>, 191-7, Guro-dong, Guro-gu, Seoul, Korea  
**Contact Person** : Kim, Han-yong  
**Phone/Fax** : Phone : +82-2-2025-7750 / Fax : +82-2-2025-7754

- **EUT Type** : VOICEYE MATE
- **Model Number** : VMP-100
- **FCC Identifier** : TOLVMP100
- **S/N** : Prototype
- **FCC Rule Part(s)** : Part 15 Subpart B Class B
- **Test Procedure** : ANSI C63.4-2003
- **Date of Tests** : January 7, 2006
- **Place of Tests** : BWS TECH Inc.  
EMC Testing Lab (FCC Registration Number : 553281)  
611-1, Maesan-ri, Mohyeon-myeon, Cheoin-gu, Yongin-si, Gyeonggi-do  
449-853, Korea  
TEL: +82 31 333 5997 FAX: +82 31 333 0017
- **Test Report No.** : BWS-06-EF-0004



## 2. Description of Test Facility

---

The measurement for radiated emission test were practiced at the open area test site of BWS TECH Inc. Measurement for conducted emission test were practiced at the semi EMC Anechoic Chamber test site of BWS TECH Inc. facility located at *611-1, Maesan-ri, Mohyeon-myeon, Cheoin-gu, Yongin-si, Gyeonggi-do 449-853, Korea*. The site is constructed in conformance with the requirements of the ANSI C63.4-2003 and CISPR Publication 16. The BWS TECH measurement facility has been filed to the Commission with the FCC for 3 and 10 meter site configurations. Detailed description of test facility was found to be in compliance with the requirements of Section 2.948 FCC Rules according to the ANSI C63.4-2003 and registered to the Federal Communications Commission(Registration Number : 553281 ).

The measurement procedure described in American National Standard for Method of Measurement of Radio-Noise Emission from Low-Voltage Electrical and Electronic Equipment in the Range of 9 kHz to 40 GHz (ANSI C.63.4-2003) was used in determining radiated and conducted emissions from the AD Information & Communications Co., Ltd. VOICEYE MATE Model : VMP-100.

## 3. Product Information

---

### 3.1 Equipment Description

**VOICEYE Mate enhances your reading ability by giving you the following features and advantages:**

- ◆ Completely portable device for decoding and reciting text
- ◆ Economical tool for listening to text and music
- ◆ High quality voice production – natural-sounding, human-like speech
- ◆ Multi-language available
- ◆ Stand-alone recording capacity – no PC required
- ◆ Stylish and universal design
- ◆ Quick and easy smart navigation controls including talking manu
- ◆ Fast forward/reverse controls
- ◆ 160 x 128 , 4096 Color STN LCD
- ◆ Plug-and-play USB connection for transferring files from PC using the supplied PC software
- ◆ USB2.0 compatible
- ◆ Firmware upgradeable
- ◆ Built-in speaker
- ◆ Built-in lithium polymer rechargeable battery

### 3.2 Variations covered by this report

**Model Difference :** N/A

**Technical Deviation :** N/A

### 3.3 Additional Information Related to Testing

Test results apply only to the particular sample tested and functionality described in this test report.

This report may be reproduced in full. Partial reproduction may only be made with the written permission of the BWS TECH Inc.

## 4. Description of Tests

---

### 4.1 Conducted Emission Measurement

Conducted emissions measurements were made in accordance with section 11, "Measurement of Information Technology Equipment" of ANSI C63.4-2003. The measurement were performed over the frequency range of 0.15MHz to 30MHz using a 50 $\Omega$ /50uH LISN as the input transducer to a Spectrum Analyzer or a Field Intensity Meter. The measurements were made with the detector set for "Peak" amplitude within an bandwidth of 10KHz or for "quasi-peak" within a bandwidth of 9KHz.

The line-conducted emission test is conducted inside a shielded anechoic chamber room with 1m x 1.5m x 0.8m wooden table which is placed 40cm away from the vertical wall and 1.5m away from the side wall of the chamber room. Two LISNs are bonded to bottom plane of the shielded room. The EUT is powered from the Com-power LISN and the support equipment is powered from the another Com-power LISN. Power to the LISNs is filtered by a noise cut power line filters. All electrical cables are shielded by braided tinned steel tubing with inner  $\phi$  1.2cm. If the EUT is a DC-powered device, power will be derived from the source power supply it normally will be powered from and these supply lines will be connected to the Com-power LISN. All interconnecting cables more than 1m were shortened by non-inductive bundling (serpentine fashion) to a 1m length. Sufficient time for the EUT, support equipment, and test equipment was allowed in order for them to warm up to their normal operating condition. The RF output of the LISN was connected to the PMM9000 Spectrum Analyzer to determine the frequency producing the max. Emission from the EUT. The frequency producing the max. Level was reexamined using the detector function set to the CISPR Quasi-Peak mode by manual, after scanned by automatic Peak mode from 0.15 to 30MHz. The bandwidth of the Spectrum Analyzer was set to 9kHz. The EUT, support equipment, and interconnecting cables were arranged and manipulated to maximize each emission. Each emission was maximized by switching power lines, varying the mode of operation or resolution, clock or data exchange speed, if applicable, whichever determined the worst-case emission. Each emission reported was calibrated using self-calibrating mode.

Photographs of the worst-case emission can be seen in photographs of conducted emission test setup.

## 4.2 Radiated Emission Measurement

Preliminary measurements were made at indoors 3 meter semi EMC Anechoic Chamber using broadband antennas, broadband amplifier, and spectrum analyzer to determine the emission frequencies producing the maximum EME.

Appropriate precaution was taken to ensure that all emissions from the EUT were maximized and investigated. The system configuration, mode of operation, turntable azimuth with respect to the antenna were noted for each frequency found. The spectrum was scanned from 30 to 1000 MHz using bilog antenna and above 1000 MHz, linearly polarized double ridge horn antennas were used. Above 1GHz, linearly polarized double ridge horn antennas were used. The measurements were performed with three frequencies which were selected as bottom, middle and top frequency in the operating band. Emission level from the EUT with various configurations were examined on the spectrum analyzer connected with the RF amplifier and plotted graphically.

Final measurements were made outdoors open site at 3-meter test range using bilog antenna. The output from the antenna was connected, via a pre-selector or a preamplifier, to the input of the EMI Measuring Receiver and Spectrum analyzer(for above 1 GHz). The detector function was set to the quasi-peak or peak mode as appropriate. The measurement bandwidth on the Field strength receiver was set to at least 120 kHz (1MHz for measurement above 1 GHz), with all post-detector filtering no less than 10 times the measurement bandwidth. Sufficient time for the EUT, support equipment, and test equipment was allowed in order for them to warm up to their normal operating condition.

Each frequency found during preliminary measurement was examined and investigated as the same set up and configuration which produced the maximum emission The EUT, support equipment and interconnecting cables were configured to the set-up producing the maximum emission for the frequency and were placed on top of a 0.8-meter high non-metallic 1m x 1.5 meter table. The turntable containing the system was rotated and the antenna height was varied 1 to 4 meters and stopped at the azimuth or height producing the maximum emission.

Each emission was maximized by varying the mode of operating frequencies of the EUT. The system was tested in all the three orthogonal planes and changing the polarity of the antenna. The worst case emissions are recorded in the data tables. If necessary, the radiated emission measurement could be performed at a closer distance to ensure higher accuracy and the results were extrapolated to the specified distance using an inverse linear distance extrapolation factor(20 dB/decade) as per section 15.31(f).

Photographs of the worst-case emission test setup can be seen in Appendix 1.



## 5. Test Condition

---

### 5.1 Test Configuration

The device was configured for testing in a typical fashion (as a customer would normally use it). During the tests, the EUT and the supported equipments were installed to meet FCC requirement and operated in a manner which tends to maximize its emission level in a typical application.

#### Radiated Emission Test

Preliminary radiated emission tests were performed using the procedure in ANSI C63.4/2003 Clause 8.3 to determine the worst operating condition. Final radiated emission tests were conducted at 3 meter open field test site.

### 5.2 EUT operation

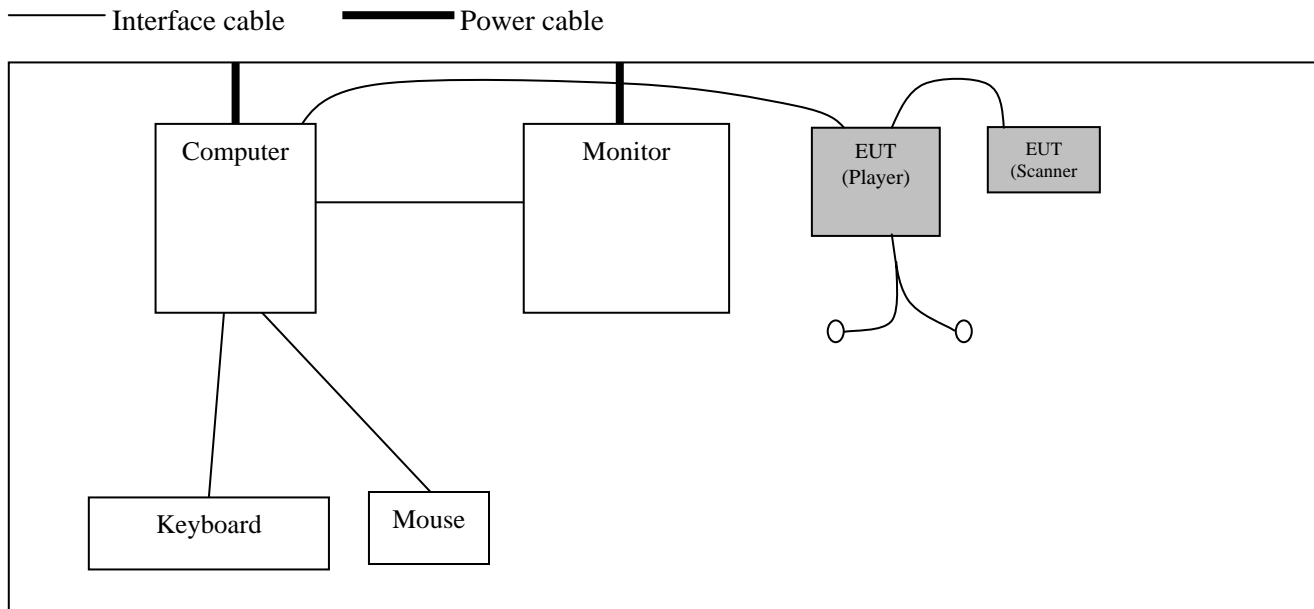
EUT was tested according to the following operation modes provided by the specifications given by the manufacturer, and reported the worst emissions.

Operation Modes	Worst Case Mode
Mode 1) The state transmitting scanning data by EUT to pc	<input checked="" type="checkbox"/>
Mode 2) Voice playing mode of scanning data	<input checked="" type="checkbox"/>

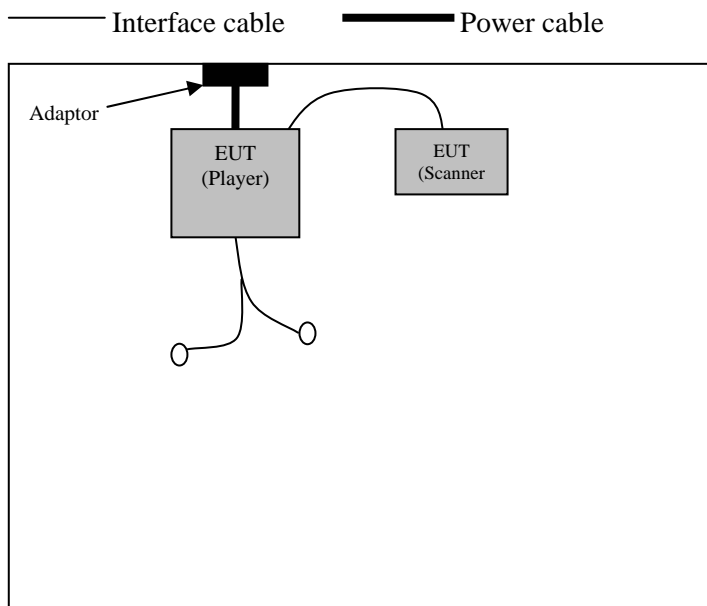


### 5.3 Test System layout on EUT and peripherals

#### Mode 1)



#### Mode 2)



## 5.4 Peripherals / Support Equipment Used

Following peripheral devices and interface cables were connected during the measurement:

### Type of Peripheral Equipment Used:

Description	Model Name	Serial No.	Manufacturer	FCC ID
EUT	VMP-100	N/A	AD Information & Communications Co., Ltd.	TOLVMP100
Computer	VDHM(Optiplex GX240)	N/A	Dell	-
Monitor	M782	BH68-00440P-02	SAMSUNG	-
Keyboard	SMD4700P	B69420MLPPY0TW	HP	-
Mouse	M-SAW	LZE21070425	LOGITECH.	-
Adaptor	KSAFB050010W1EU	N/A	KTEC	-
Earphone	N/A	N/A	N/A	-

### Type of Cables Used:

Device from	Device to	Type of Cable	Length(m)	Type of shield
Computer	Monitor	VIDEO	1.8	Shielded
Computer	Keyboard	PS/2	2.1	Unshielded
Computer	Mouse	PS/2	1.8	Unshielded
Computer	Power Socket	INLET	1.5	Unshielded
EUT (Mode 1))	Computer	USB	1.5	Shielded
EUT (Mode 2))	Adaptor	USB	1.5	Shielded
EUT	Scanner	CAM	0.5	Shielded
EUT	Earphone	Line-Out	1.5	Unshielded

## 6. TEST RESULTS

---

### 6.1 Summary of Test Results

The measurement results were obtained with the EUT tested in the conditions described in this report. Detailed measurement data and plots showing the maximum emission of the EUT are reported.

#### Mode 1)

FCC Rule Parts	Measurement Required	Result
15.107(a)	Conducted Emission	Passed by -12.21 dB
15.109(g)	Radiated Emissions	Passed by -2.91 dB

#### Mode 2)

FCC Rule Parts	Measurement Required	Result
15.107(a)	Conducted Emission	Passed by -3.41 dB
15.109(g)	Radiated Emissions	Passed by -2.71 dB

The data collected shows that the AD Information & Communications Co., Ltd. VOICEYE MATE models : VMP-100 complies with technical requirements of the Part 15.107 and 15.109 of the FCC Rules.

#### Note : Modification to EUT

The device tested is not modified anything, mechanical or circuits to improve EMI status during a measurement. No EMI suppression device(s) was added and/or modified during testing.

## 6.2 Conducted Emissions

EUT : VOICEYE MATE model : VMP-100  
 Limit apply to : FCC Part15 Subpart B Class B Section 15.107(a)  
 Test Date : January 7, 2006  
 Operating Condition : Mode 1) The state transmitting scanning data by EUT to pc  
 Environment Condition : Temperature : 19 °C, Humidity Level : 28 %RH  
 Result : Passed by -12.21 dB

The following table shows the highest levels of conducted emissions on both phase of Hot and Neutral line.

### Tabulated Conducted Emission Test Data

Detector Mode ; CISPR Quasi Peak mode (6dB Bandwidth : 9kHz).

Freq [MHz]	Correcton		Phase [H/N]	Quasi-Peak Mode				Average Mode			
	AMN	C.L		Limit	Reading	Emission Level	Margin	Limit	Reading	Emission Level	Margin
				[dBuV]	[dBuV]	[dBuV]	[dBuV]	[dBuV]	[dBuV]	[dBuV]	[dBuV]
0.150	0.06	0.03	N	66.00	53.70	53.79	12.21	56.00			
0.171	0.06	0.03	N	65.40	46.20	46.29	19.11	55.40			
0.202	0.07	0.10	N	64.60	47.80	47.97	16.63	54.60			
0.232	0.07	0.10	N	63.70	29.30	29.47	34.23	53.70			
0.251	0.07	0.16	N	63.10	30.00	30.23	32.87	53.10			
0.301	0.08	0.22	N	61.70	41.20	41.50	20.20	51.70			
0.504	0.07	0.30	N	56.00	28.30	28.67	27.33	46.00			
1.259	0.04	0.44	H		29.20	29.68	26.32				
1.355	0.03	0.45	N		28.30	28.78	27.22				
2.240	0.03	0.56	H		22.90	23.49	32.51				
3.481	0.03	0.68	H		21.70	22.41	33.59				
4.595	0.04	0.82	H		22.80	23.66	32.34				
6.050	0.06	0.90	N	60.00	25.10	26.06	33.94	50.00			
7.210	0.04	0.98	N		24.70	25.72	34.28				
10.210	0.07	1.04	H		31.00	32.11	27.89				
14.130	0.07	1.22	H		33.80	35.09	24.91				
17.080	0.07	1.25	H		23.40	24.72	35.28				
22.790	0.08	1.45	N		25.60	27.13	32.87				

#### NOTES :

1. H : Hot Line , N : Neutral Line
2. Emission Level = Reading + Correction Factor
3. Measurements were performed at the AC Power Inlet of the host PC with the EUT plugged in the frequency band of 150kHz ~30MHz
4. Margin = Limit - Emission Level
5. Measurement uncertainty estimated at ±3.45 dB.  
 The measurement uncertainty is given with a confidence of 95 % with the coverage factor, k=2.



Tested by Lee, Cheol-Ho

EUT : VOICEYE MATE Model : VMP-100  
 Limit apply to : FCC Part15 Subpart B Class B Section 15.107(a)  
 Test Date : January 7, 2006  
 Operating Condition : Mode 2) Voice playing mode of scanning data  
 Environment Condition : Temperature : 19 °C, Humidity Level : 28 %RH  
 Result : Passed by -3.41 dB

The following table shows the highest levels of conducted emissions on both phase of Hot and Neutral line.

### Tabulated Conducted Emission Test Data

Detector Mode ; CISPR Quasi Peak mode (6dB Bandwidth : 9kHz).

Freq [MHz]	Correcton		Phase [H/N]	Quasi-Peak Mode				Average Mode			
	AMN	C.L		Limit	Reading	Emission Level	Margin	Limit	Reading	Emission Level	Margin
				[dBuV]	[dBuV]	[dBuV]	[dBuV]	[dBuV]	[dBuV]	[dBuV]	[dBuV]
0.151	0.06	0.03	H	66.00	60.90	60.99	5.01	56.00	46.90	46.99	9.01
0.170	0.06	0.03	H	65.40	57.40	57.49	7.91	55.40	45.00	45.09	10.31
0.180	0.06	0.03	N	65.10	61.60	61.69	3.41	55.10	43.20	43.29	11.81
0.201	0.07	0.10	H	64.60	54.80	54.97	9.63	54.60	35.50	35.67	18.93
0.220	0.07	0.10	H	64.00	52.50	52.67	11.33	54.00	34.70	34.87	19.13
0.231	0.07	0.10	N	63.70	49.50	49.67	14.03	53.70	36.10	36.27	17.43
0.574	0.07	0.30	N	56.00	45.30	45.67	10.33	46.00	32.30	32.67	13.33
1.382	0.03	0.45	N		46.40	46.88	9.12		32.50	32.98	13.02
2.069	0.03	0.55	H		45.00	45.58	10.42		30.40	30.98	15.02
10.820	0.06	1.06	N	60.00	39.60	40.72	19.28	50.00			
13.820	0.07	1.21	N		42.90	44.18	15.82				
16.420	0.07	1.23	N		39.20	40.50	19.50				
20.570	0.06	1.39	N		36.50	37.95	22.05				

NOTES :

- H : Hot Line , N :Neutral Line
- Emission Level = Reading + Correction Factor
- Measurements were performed at the AC Power Inlet of the host PC with the EUT plugged in the frequency band of 150kHz ~30MHz
- Margin = Limit - Emission Level
- Measurement uncertainty estimated at ±3.45 dB.  
 The measurement uncertainty is given with a confidence of 95 % with the coverage factor, k=2.



Tested by Lee, Cheol-Ho

### 6.3 Radiated Emissions

EUT : VOICEYE MATE Model : VMP-100  
 Limit apply to : FCC Part15 Subpart B Class B Section 15.109(g)  
 Test Date : January 7, 2006  
 Operating Condition : Mode 1) The state transmitting scanning data by EUT to pc  
 Environment Condition : Temperature : 0 °C, Humidity Level : 41 %RH  
 Result : Passed by -2.91 dB

#### Radiated Emission Test Data

The following table shows the highest levels of radiated emissions on both polarization of horizontal and vertical.

Detector mode : CISPR Quasi-Peak mode ( 6dB Bandwidth : 120 kHz )

Measurement Distance : 3 meters

Frequency [MHz]	Reading [dB $\mu$ V]	Polarization [*H/**V]	Ant.Factor [dB/m]	Cable Loss [dB]	Limit [dB $\mu$ V/m]	Emission Level [dB $\mu$ V/m]	Margin [dB]
72.00	19.68	V	10.15	1.86	40.00	31.69	8.31
96.00	20.63	V	9.46	2.16	43.50	32.25	11.25
144.01	16.62	V	13.06	2.64	43.50	32.33	11.17
168.01	17.23	V	12.90	2.88	43.50	33.01	10.49
192.00	19.32	V	10.88	3.08	43.50	33.29	10.21
216.00	19.96	H	10.31	3.27	43.50	33.54	9.96
304.80	20.53	H	13.52	3.91	46.00	37.96	8.04
384.01	20.66	V	15.41	4.42	46.00	40.49	5.51
456.01	19.92	V	17.01	4.81	46.00	41.74	4.26
528.01	18.55	V	18.21	5.23	46.00	41.99	4.01
648.00	16.77	H	20.35	5.86	46.00	42.98	3.02
767.99	14.15	H	22.36	6.58	46.00	43.09	2.91

NOTES :

- \*H : Horizontal polarization , \*\*V : Vertical polarization
- Emission Level = Reading + Antenna factor + Cable loss
- Margin value = Limit - Emission Level
- All other emissions not reported were more than 25dB below the permitted limit.
- Measurement uncertainty estimated at  $\pm 3.45$  dB.  
 The measurement uncertainty is given with a confidence of 95 % with the coverage factor,  $k=2$ .



Tested by Lee, Cheol-Ho

EUT : VOICEYE MATE Model : VMP-100  
 Limit apply to : FCC Part15 Subpart B Class B Section 15.109(g)  
 Test Date : January 7, 2006  
 Operating Condition : Mode 2) Voice playing mode of scanner data  
 Environment Condition : Temperature : 0 °C, Humidity Level : 41 %RH  
 Result : Passed by -2.71 dB

### Radiated Emission Test Data

The following table shows the highest levels of radiated emissions on both polarization of horizontal and vertical.

Detector mode : CISPR Quasi-Peak mode ( 6dB Bandwidth : 120 kHz )

Measurement Distance : 3 meters

Frequency [MHz]	Reading [dB $\mu$ V]	Polarization [*H/**V]	Ant.Factor [dB/m]	Cable Loss [dB]	Limit [dB $\mu$ V/m]	Emission Level [dB $\mu$ V/m]	Margin [dB]
304.80	25.36	H	13.52	3.91	46.00	42.79	3.21
384.01	23.15	H	15.41	4.42	46.00	42.98	3.02
456.01	21.32	H	17.01	4.81	46.00	43.14	2.86
528.01	19.81	H	18.21	5.23	46.00	43.25	2.75
648.00	16.94	H	20.35	5.86	46.00	43.15	2.85
767.99	14.35	H	22.36	6.58	46.00	43.29	2.71

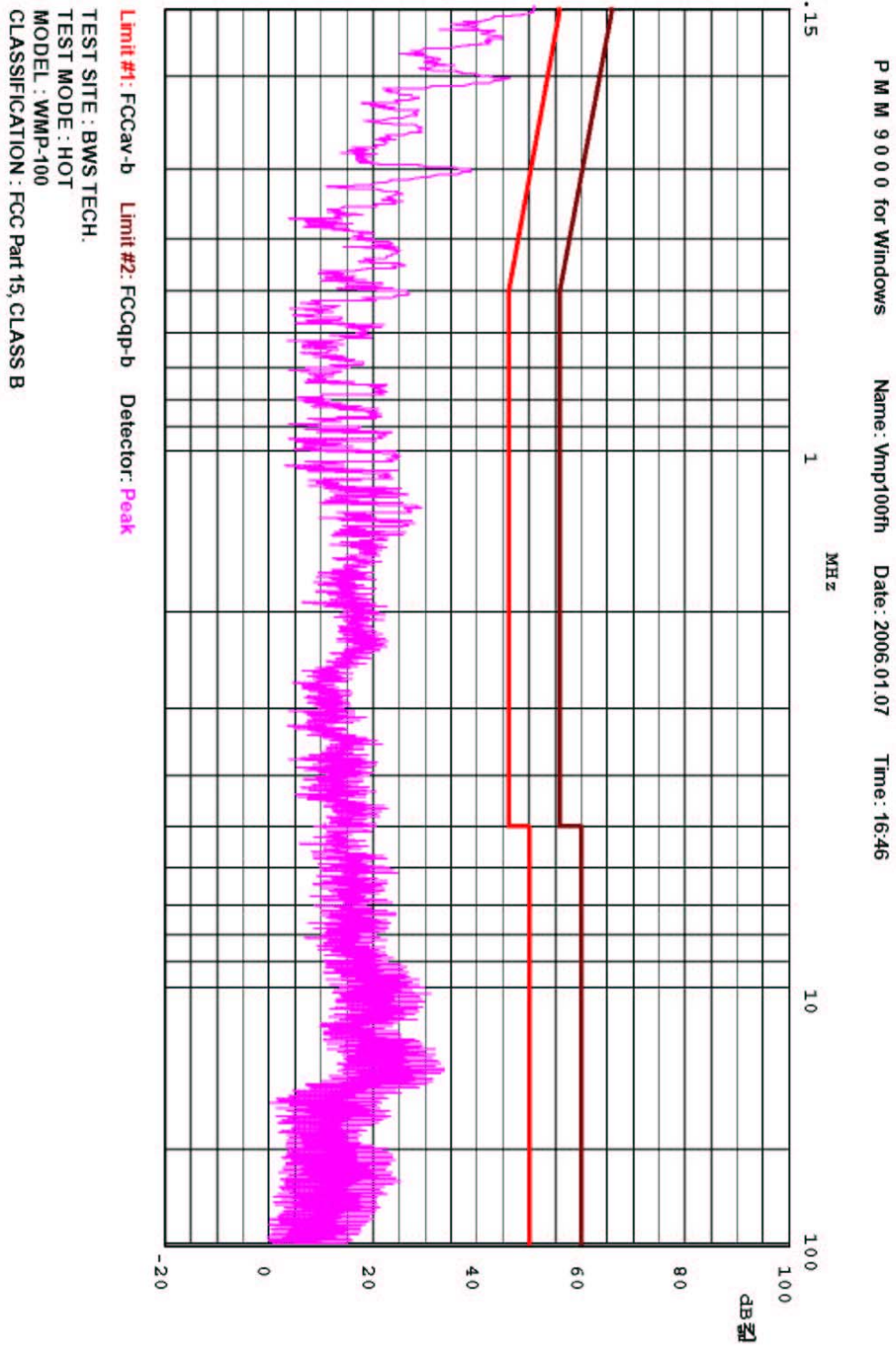
NOTES :

6. \*H : Horizontal polarization , \*\*V : Vertical polarization
7. Emission Level = Reading + Antenna factor + Cable loss
8. Margin value = Limit - Emission Level
9. All other emissions not reported were more than 25dB below the permitted limit.
10. Measurement uncertainty estimated at  $\pm 3.45$  dB.  
 The measurement uncertainty is given with a confidence of 95 % with the coverage factor,  $k=2$ .



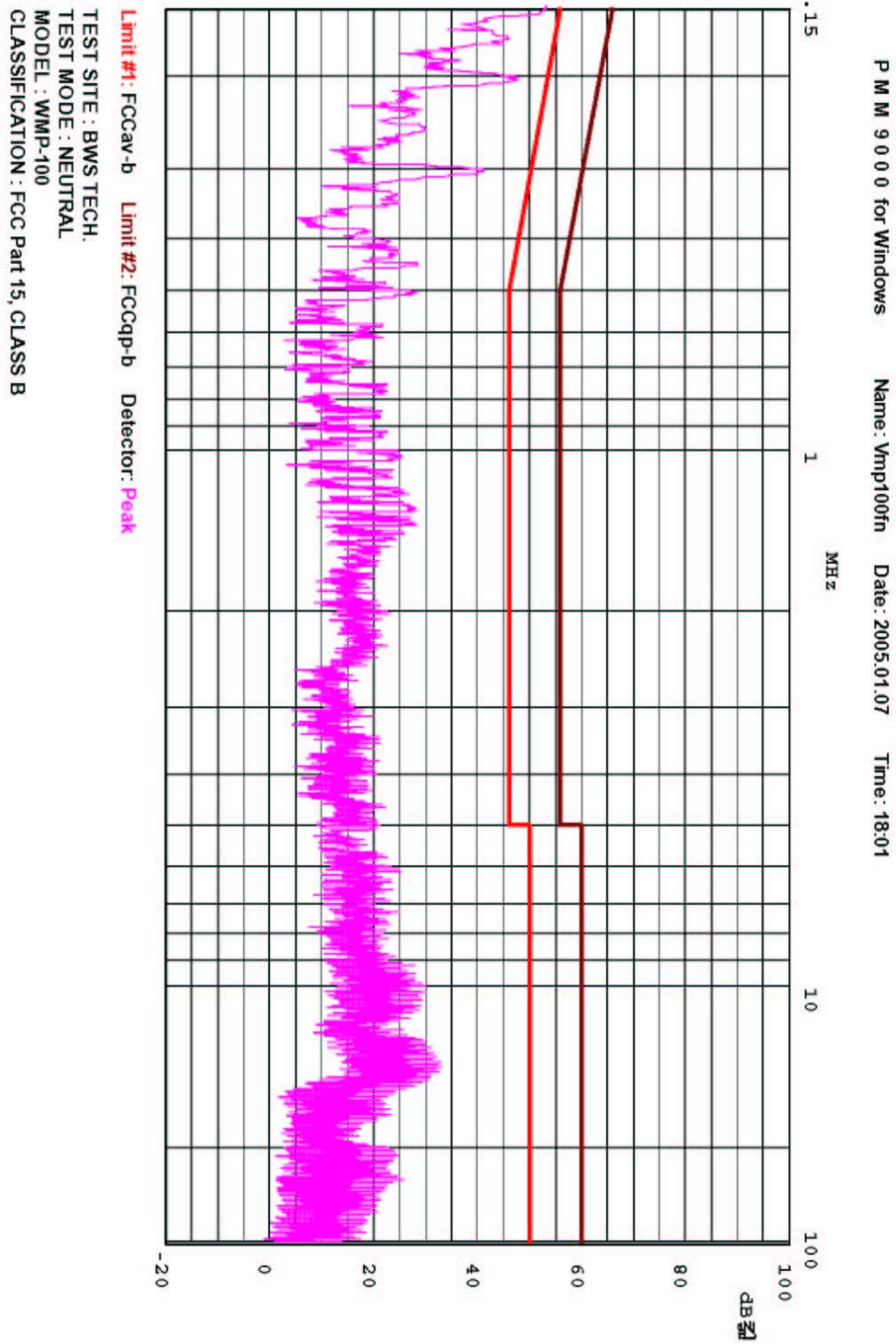
Tested by Lee, Cheol-Ho

### Plots of Conducted Emission Test – Mode 1)

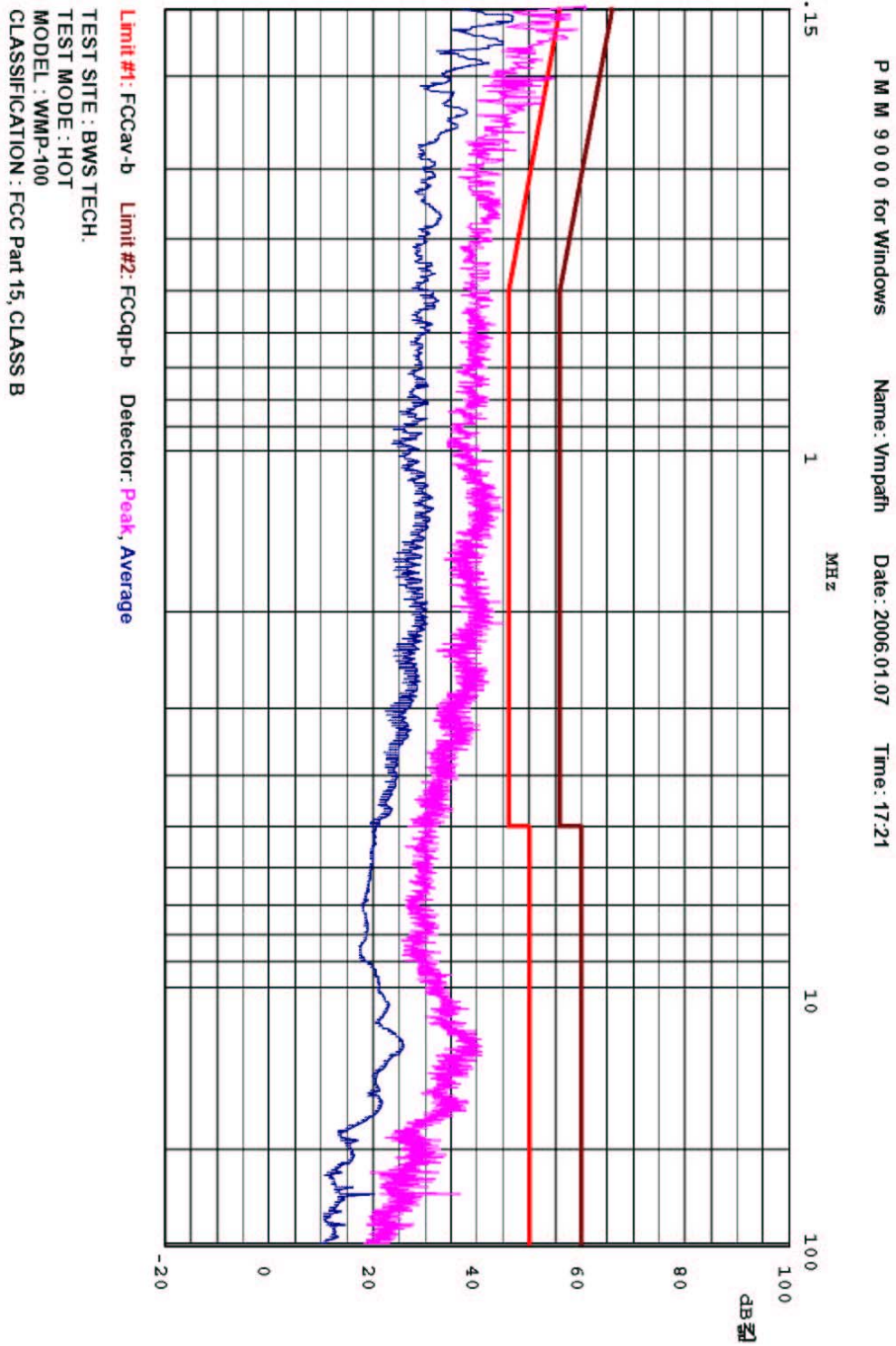




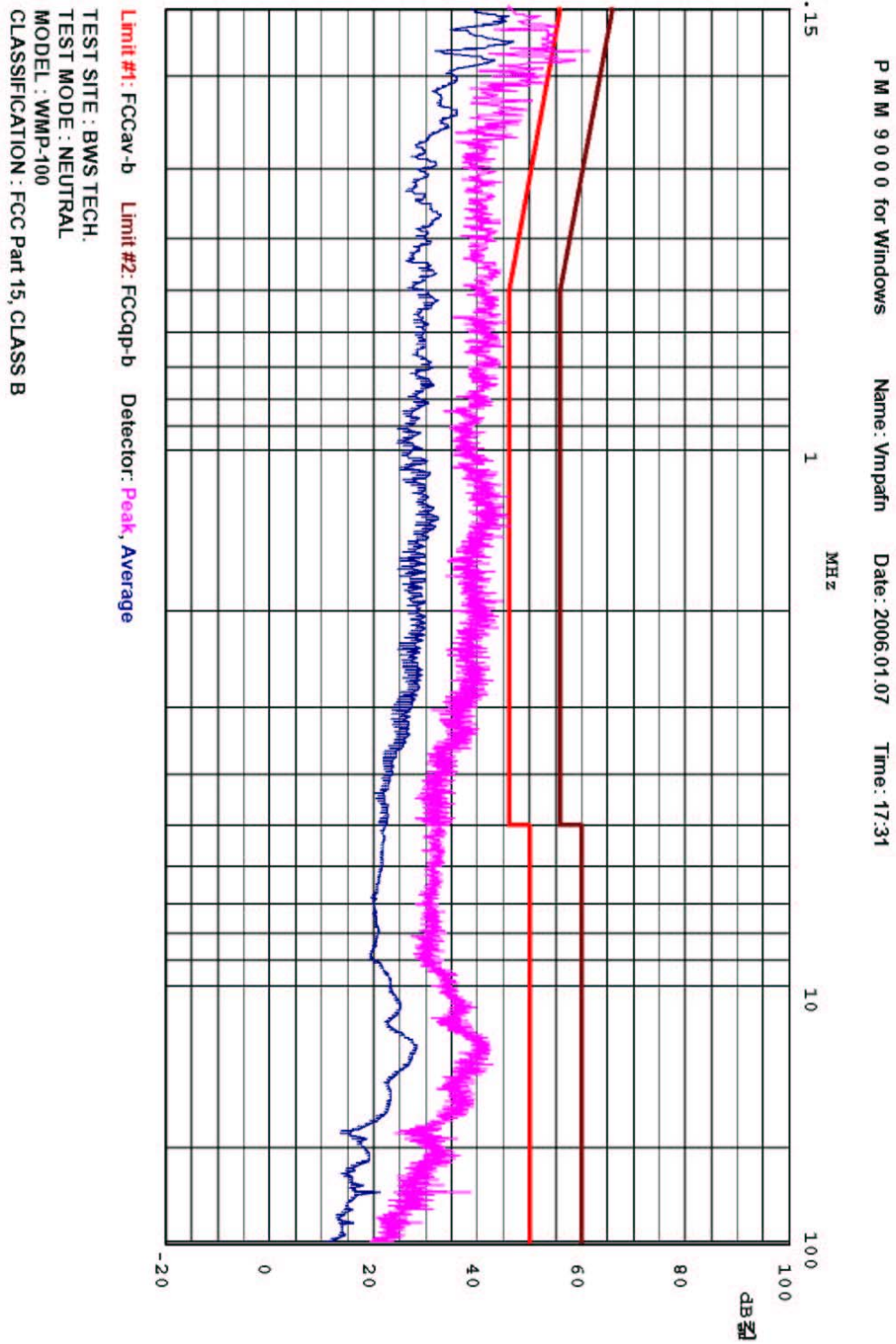
### Plots of Conducted Emission Test – Mode 1)



### Plots of Conducted Emission Test – Mode 2)



### Plots of Conducted Emission Test – Mode 2)



## 7. Sample Calculation and Other Information

### 7.1 Sample Calculations

$$\text{dB}\mu\text{V} = 20 \log_{10} (\mu\text{V}/\text{m})$$

$$\mu\text{V} = 10^{(\text{dB}\mu\text{V}/20)}$$

#### EX. 1.

##### Mode 1)

@ 0.150 MHz Class B limit(Qusi-Peak) = 66.00 dB $\mu$ V  
Reading = 53.70 dB $\mu$ V (calibrated level)  
AMN factor + Cable Loss = 0.09 dB  
Total = 53.79 dB $\mu$ V/m  
Margin = 53.79 – 66.00 = -12.21  
**12.21 dB ; below limit**

##### Mode 2)

@ 0.180 MHz Class B limit(Qusi-Peak) = 65.10 dB $\mu$ V  
Reading = 61.60 dB $\mu$ V (calibrated level)  
AMN factor + Cable Loss = 0.09 dB  
Total = 61.69 dB $\mu$ V/m  
Margin = 61.69 – 65.10 = -3.41  
**3.41 dB ; below limit**

#### EX. 2.

##### Mode 1)

@ 767.99 MHz Class B limit = 46.00 dB $\mu$ V/m  
Reading = 14.15 dB $\mu$ V(calibrated level)  
Antenna factor + Cable Loss = 28.94 dB  
Total = 43.09 dB $\mu$ V/m  
 $10^{(43.12/20)} = \mu\text{V}/\text{m}$   
Margin = 43.09 – 46.00 = -2.91 dB  
**2.91 dB ; below limit**

##### Mode 2)

@ 767.99 MHz Class B limit = 46.00 dB $\mu$ V/m  
Reading = 14.35 dB $\mu$ V(calibrated level)  
Antenna factor + Cable Loss = 28.94 dB  
Total = 43.29 dB $\mu$ V/m  
 $10^{(43.12/20)} = \mu\text{V}/\text{m}$   
Margin = 43.29 – 46.00 = -2.71 dB  
**2.71 dB ; below limit**

## 8. TEST EQUIPMENTS LIST

The listing below denotes the test equipments utilized for the test(s).

Equipment Type	Model	Manufacture	Serial No	Cal Due Date	Use
Signal Analyzer	PMM9000	PMM	3100570602	05. 31. 2006	<input checked="" type="checkbox"/>
EMC Analyzer	E7403A	HP	US39150108	05. 18. 2006	<input checked="" type="checkbox"/>
EMI Receiver	ESVS 10	ROHDE & SCHWARZ	863247/019	05. 25. 2006	<input checked="" type="checkbox"/>
Conducted Cable	CC-10	N/A	BWS-02	N/A	<input checked="" type="checkbox"/>
LISN Multiline	L1-115	Com-Power	241017	11. 11. 2006	<input checked="" type="checkbox"/>
LISN Multiline	L1-115	Com-Power	241018	11. 02. 2006	<input checked="" type="checkbox"/>
Bilog Antenna	VULB 9160	SCHWARZBECK	9160-3052	03. 18. 2006	<input checked="" type="checkbox"/>
Open Site Cable	OSC-30	N/A	BWS-01	N/A	<input checked="" type="checkbox"/>
Antenna Mast	JAC-3	DAIL EMC	N/A	N/A	<input checked="" type="checkbox"/>
Antenna Turntable Controller	JAC-2	JAEMC	N/A	N/A	<input checked="" type="checkbox"/>