

BLUEVOICE

THE FIRST BLUETOOTH® HANDSFREE WATCH

INSTRUCTION MANUAL

CT.8239

Chronotech
TECHNOLOGY

www.chronotech.com

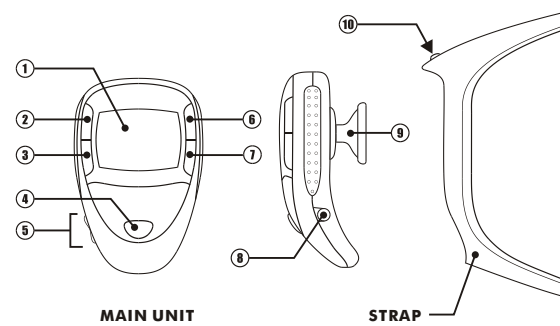


ChronoTech
BLUEVOICE
 THE FIRST BLUETOOTH® HANDSFREE WATCH

English

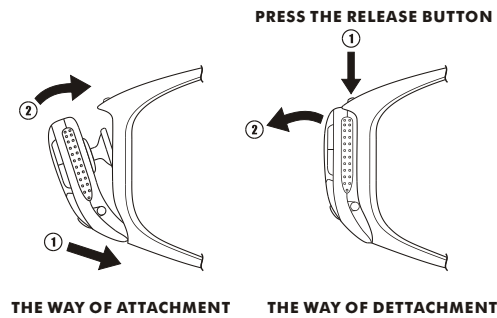
QUICK START

Fig. 1 -OVERVIEW



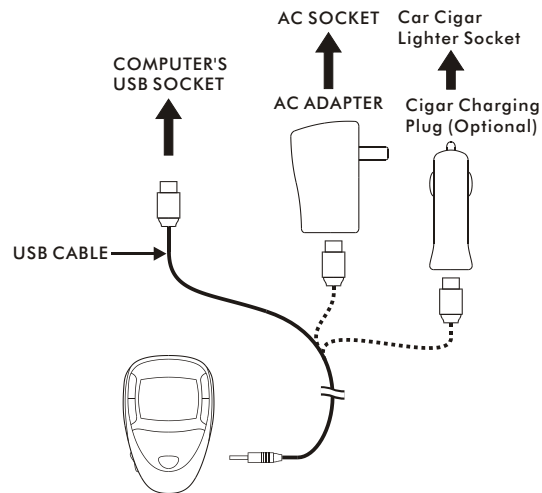
Part no.	Description	Part no.	Description
1	LCD	6	ST./STP Button
2	LIGHT button	7	RESET button
3	MODE button	8	Charging socket
4	Main button	9	Interchangeable ear plug
5	Volume control UP and DOWN	10	Release button

Fig. 2 ATTACHMENT AND DETACHMENT

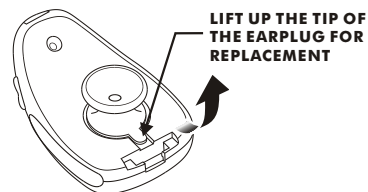


QUICK START**Charging your BLUEVOICE**

- For the first time use, fully charge the unit in around 4 hours.
- A red light is on during charging, and it will be off when the battery is fully charged.
- Charging methods: (see the Fig. 3 below)

Fig. 3 CHARGING METHOD**Fig. 4 EAR PLUG REPLACEMENT**

There are 3 ear plugs of different sizes for user's choice, the following diagram shows the way to detach the ear plug for replacement:

**WARRANTY**

Chronotech warrants this product against all defects in material and workmanship for a period of one year from the date of original purchase. The conditions of this warranty and our responsibilities under this warranty are as follows:

- The warranty is limited to the original purchaser and in the country of purchase.
- A copy of your receipt or other proof of purchase is required. Without proof of purchase, your warranty is defined as beginning on the date of manufacture as labelled on the product or packaging material.
- The warranty is void if the product has been subject to physical abuse, improper installation, modification, or repair by unauthorized third parties.
- The responsibility of Chronotech shall be limited to the repair or replacement of the product as its sole discretion.
- Any implied warranty on Chronotech products is limited to one year from the date of purchase on all parts, including any cords and connectors.
- Specifically exempt from any warranty are limited-life consumable components subject to normal wear and tear, such as ear-plug, decorative finishes, batteries and other accessories.
- Chronotech is not liable for any incidental or consequential damages arising from the use or misuse of any Chronotech product.
- This warranty gives you specific rights and you may have other rights which vary from area to area.
- Unless otherwise instructed in the Instruction Manual, the user may not, under any circumstances, attempt to perform service, adjustments or repairs on this unit, whether in or out of warranty. It must be returned to the purchase point, factory or authorized service agency for all such work.

DATE OF PURCHASE: _____

PLACE OF PURCHASE: _____

DEALER'S CHOP: _____

PRODUCT SPECIFICATION

Bluetooth® specification:	Version 1.2
Bluetooth® profile supported:	Headset and handsfree profiles
Range of frequency:	2.4 GHz spectrum
Operation range:	Max. 10 meters (33 feet) Class II
Connection:	Point to point
Dimension:	Main unit only: 38 X 58 X 23 mm Overall product: 38 X 230 X 23 mm
Weight:	Main unit only: 20 g Overall product: 45 g
Normal charging time:	Approx. 2-3 hours
Talking time:	Approx. 4 hours
Standby time:	Approx. 120 hours
Battery:	Rechargeable Li-in polymer
Output power:	0 dBm (class II)
Charging:	5.5V DC
Security:	128 bits encryption
Operation temperature:	-10 ~ 55° C
Storage temperature:	-20 ~ 60° C
Certification:	CE, FCC, BQB
Pairing password:	0000

QUICK START

For the handsfree unit:

When the handsfree unit is off:

- **For pairing with your mobile phone**, press and hold the main button until the blue and red light is blinking alternately, the unit is in pairing mode. Then activate your mobile phone to search the handsfree unit. Once the unit is identified by your phone, press the password "0000" to confirm the pairing, and the handsfree unit is ready for use with your phone.

- **To turn on the unit**, press and hold the main button for 2 seconds (and then release), blue light is blinking, the unit is in stand-by mode.

When the handsfree unit is on:

- **To take an incoming call**, press the main button once.

- **To reject an incoming call**, press and hold the main button until the call is rejected.

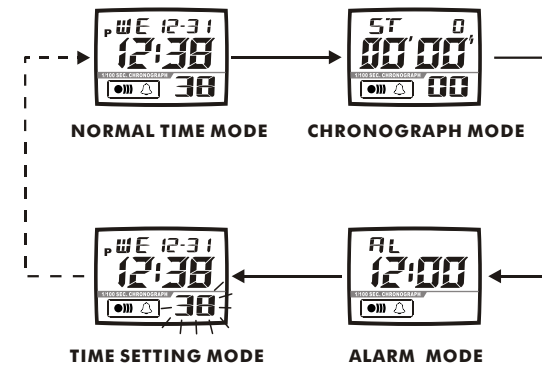
- **Adjust the volume** when talking with the handsfree unit, press volume UP and DOWN accordingly.

- **To end the call when in talking mode**, press and hold the main button.

- **To dial the last dialed number**, press and hold the volume DOWN key for few seconds when in stand-by status, until a "beep" sound is heard.

For the watch function:

- Press MODE button to change mode, the sequence is:



INSTRUCTION MANUAL

Thank you for your purchasing the BLUEVOICE.
To fully appreciate all the features of your BLUEVOICE, please follow the steps in the following sections.

Summary of features

Chronotech BLUEVOICE is a special product that combined Bluetooth handsfree unit and a sophisticated digital watch. Unlike other handsfree units, BLUEVOICE can be attached onto the strap when in standby status, which provides maximum comfort to the user since he/she does not need to wear the main unit all the time.

The followings are the summary of features:

Handsfree unit	Digital watch
<ul style="list-style-type: none"> -3-button operation includes main switch and volume UP and DOWN -Answer call, end call, reject call -Last dialled number redialling -Volume control -Support voice calling 	<ul style="list-style-type: none"> -Normal time display with: hour, minute, second, month, date, and day of week -Daily alarm and hourly chime -1/100 sec. Chronograph -12/24 hour format selectable -EL backlight

Package content

- Main Unit
- Strap
- AC charger
- USB cable
- 3 earplugs of different sizes
- Instruction Manual

Charge your BLUEVOICE

Please fully charge the main unit for the first time use. Normally the battery will be fully charged in 2-3 hours. When the main unit is charging, a red light is on until the unit is fully charged.

There are 3 ways for user to charge their BLUEVOICE: (see Fig. 3)

- 1- Use the AC adaptor to charge the BLUEVOICE from a power socket.
- 2- Charging directly from your computer's USB socket with the USB cable
- 3- Charging from your car's cigar lighter socket with the optional car-charging plug

GLOSSARY

- **Bluetooth** is a radio technology developed to connect devices, such as mobile phones and headsets, without wires or cords over a short distance of maximum 10 meters (approx. 30 feet). More information is available at www.bluetooth.com
- **Pairing** creates a unique and encrypted communication link between two Bluetooth enabled devices and allows them to communicate with each other. Bluetooth devices will not work if the devices have not been paired with each other.
- **Password, passkey or pin** is a code that needs to be entered on the phone in order to pair the mobile phone with the BLUEVOICE. When you have already paired your mobile with the headset, the phone and the BLUEVOICE will recognize each other automatically accept the transmission.
- **Standby mode** is when the BLUEVOICE is passively waiting for a call. When you "END" the call on your mobile phone, the BLUEVOICE will go into standby mode.

FCC NOTICE TO USERS

This device complies with Part 15 of the FCC Rules. Operation is subject to the following two conditions: (1) This device may not cause harmful interference, and (2) this device must accept any interference received, including interference that may cause undesired operation.

BLUETOOTH®

The Bluetooth® word mark and logos are owned by the Bluetooth SIG, Inc. and any use of such marks by Chronotech is under license. Other trademarks and trade names are those of their respective owners.

In time setting mode

- When entered into the time setting mode, the second is blinking and ready for setting. Press ST./STP. button to set the second to zero.
- Press RESET button to select the value for setting, the selection sequence is:

SECOND → HOUR → MINUTE → MONTH → DATE → DAY OF WEEK



- For setting other value, press ST./STP. button to advance the digit
- Press MODE button to exit the time setting mode and return to normal time mode

Note: When setting the hour, letter "A" and "P" represent AM and PM of 12 hour format respectively, letter "H" represent the 24 hour format.

Anytime press the LIGHT button, the EL backlight will be on.

WARNING

- Please turn off the handsfree unit before put it into your pocket/bag/brief case. It avoided dialling out accidentally.
- Do not expose your BLUEVOICE under water or other liquid, it is not water-resistant.
- Do not use abrasive cleaning solvents to clean your BLUEVOICE.
- Do not expose your BLUEVOICE under high or low temperature.
- Do not expose your BLUEVOICE to contact with any sharp-pointed objects, as this will cause scratches and damage.
- Do not attempt to disassemble your BLUEVOICE which does not contain any serviceable components.
- If you do not use your BLUEVOICE for a long period, please make sure it is stored in a dry place at room temperature.
- Do not attempt to replace the built-in battery on your own, it is not changeable.
- The battery can only be recharged by the chargers provided by the manufacturer.
- Do not disassemble the charger as it may expose you to the dangerous of electric shock.
- Do not use the charger in outdoor, or in high humidity environment.
- Avoid charging your BLUEVOICE in high temperature environment.
- To avoid electromagnetic interference and/or compatibility conflicts, turn off your BLUEVOICE in any facility where posted notices instruct you to do so. For example hospitals, health care facilities and aircraft are using equipment that is sensitive to external RF energy.
- It is suggested a minimum distance of 15 cm (6 inches) should be maintained between a handheld wireless device (i.e. your BLUEVOICE) and a pacemaker.
- Dispose of batteries according to local regulations. Do not dispose as household waste.

Operation of the handsfree unit**Use of interchangeable earplugs**

There are 3 different sizes earplugs provided for you, you may choose the most comfortable one for yourself. The Fig. 4 shows how to interchange the earplug.

Turn on the handsfree unit

When the handsfree unit is off, press and hold the main button for 2 seconds to turn on the unit, a blue light will blink during the unit is on. A short "beep" sound is generated (from the earplug speaker).

Please note that the watch display is always on (unless the battery is out), which does not represent the handsfree unit is on too.

Turn off the handsfree unit

When the unit is on, press and hold the main button for 3 seconds to turn off the unit, a red light will blink few times before the handsfree unit is off. A long "beep" sound is generated (from the earplug speaker).

Again, the watch will keep working even if the handsfree unit is off.

Pair your BLUEVOICE with mobile phone

Before you do pairing, make sure the handsfree unit is off.

- Keep your BLUEVOICE and phone in around 1 meter.
- To set the handsfree unit into the pairing mode, press and hold the main button until the red and blue light blink alternately.
- Follow your phone's instruction, activate your phone's searching function for Bluetooth handsfree unit.
- Once your phone found the handsfree unit, your phone display will show "BLUEVOICE". Please select it and confirm with the password: 0000. The phone will confirm the pairing is completed. In case of unsuccessful pairing, please go through the above steps again.
- Once pairing is successful, your handsfree unit is in stand-by mode.

Note: If pairing process cannot complete within 2 minutes, red light will blink with 3 "beep" sound. Then the handsfree unit is off, please go through the above steps again.

When a call is in or dial out a call, your phone will connect the handsfree unit automatically. If the connection is broken, please try either one of the following procedures (make sure the BLUEVOICE and your phone are located in less than 1 meter area):

- Press the main button of your BLUEVOICE, your phone will detect it and press YES to accept the connection.
- Access your phone's Bluetooth devices connection manual, choose "BLUEVOICE" and confirm the connection.

Please note that you just need to do pairing once for the first time use, the paired data will be stored in the handsfree unit and your mobile phone.

Answer a call

When there is an incoming call, a ring tone is generated through the earplug speaker. Just press the main button of your BLUEVOICE to pick up the call.

End a call

When in talking status, press and hold the main button of your BLUEVOICE to end a call.

Reject a call

When there is an incoming call, press and hold the main button of your BLUEVOICE until the call is rejected.

Adjust the volume and mute function

During the phone call, press volume UP or DOWN keys to adjust the volume of the speaker accordingly.

Last dialled number redial

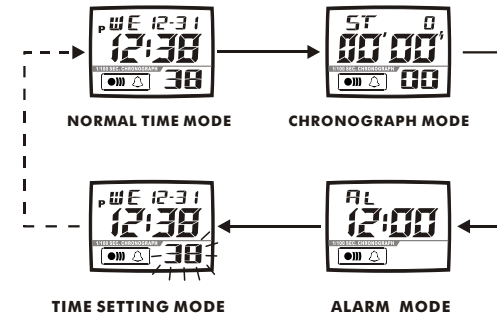
For redialling the last dialled number in stand-by mode, press and hold the volume DOWN key until a "beep" sound is heard.

Low battery indication

When the battery power is low, a red light will blink and the main unit will have a "beep" sound (from the earplug speaker) every one minute. At this moment, please charge your main unit and follow the steps in "Charge your BLUEVOICE" section.

Operation of the watch function

There are 4 modes of watch function, press MODE button to change mode, and the mode sequence is shown below:



In normal time mode

-Press MODE button to change to chronograph mode.

In chronograph mode

- Press ST./STP. button to activate the chronograph
- During the chronograph is running, press RESET button to take the lap time
- During the chronograph is running, press ST./STP. button to stop counting
- When the chronograph is stopped, press RESET button to reset the counter to zero
- Press MODE button to change to alarm mode

In alarm mode

-Press ST./STP. button to toggle the ON/OFF of the daily alarm and hourly chime, the sequence is:



- Press RESET button to set the hour of the alarm time, and press ST./STP. button to advance the digit
- Press RESET button again to set the minute of the alarm time, and press ST./STP. button to advance the digit
- Press RESET button again to exit the alarm setting mode
- Press MODE button to change to time setting mode

When the alarm is ringing, press any key to stop the alarm.

WARNING STATEMENT:

Any changes or modifications not expressly approved by the party responsible for compliance could void the user's authority to operate the equipment.

Note:

This equipment has been tested and found to comply with the limits for a Class B digital device, pursuant to part 15 of the FCC Rules. These limits are designed to provide reasonable protection against harmful interference in a residential installation. This equipment generates, uses and can radiate radio frequency energy and, if not installed and used in accordance with the instructions, may cause harmful interference to radio communications. However, there is no guarantee that interference will not occur in a particular installation. If this equipment does cause harmful interference to radio or television reception, which can be determined by turning the equipment off and on, the user is encouraged to try to correct the interference by one or more of the following

measures:

- Reorient or relocate the receiving antenna. - Increase the separation between the equipment and receiver.
- Connect the equipment into an outlet on a circuit different from that to which the receiver is connected.
- Consult the dealer or an experienced radio/TV technician for help.

The users manual or instruction manual for an intentional or unintentional radiator shall caution the user that changes or modifications not expressly approved by the party responsible for compliance could void the user's authority to operate the equipment. In cases where the manual is provided only in a form other than paper, such as on a computer disk or over the Internet, the information required by this section may be included in the manual in that alternative form, provided the user can reasonably be expected to have the capability to access information in that form.

This equipment complies with FCC radiation exposure limits set forth for an uncontrolled environment.