

Johnson Health Tech. Co., Ltd.

MPE ASSESSMENT REPORT

Report Type:

FCC MPE assessment report

Model:

TOUCH-02-C,
TOUCH XL-02-C,
Virtual training-02-C

REPORT NUMBER:

221100599SHA-003

ISSUE DATE:

August 19, 2023

DOCUMENT CONTROL NUMBER:

TTRFFCCMPE-02_V1 © 2018 Intertek



TEST REPORT

Applicant : Johnson Health Tech. Co., Ltd.
No. 999, Sec. 2, Dongda Rd., Daya Dist., Taichung City 428, China.

Manufacturer : Same as applicant

Factory 1 : Same as applicant

Factory 2 : Johnson Industries (Shanghai) CO., LTD.
2217 hechen highway, JIADING DISTRICT, Shanghai, China

FCC ID : TN7TOUCH-02

SUMMARY:

The equipment complies with the requirements according to the following standard(s) or Specification:

FCC PART 1 SECTION 1.1310

PREPARED BY:



Project Engineer
Eric Li

REVIEWED BY:



Reviewer
Wakeyou Wang

This report is for the exclusive use of Intertek's Client and is provided pursuant to the agreement between Intertek and its Client. Intertek's responsibility and liability are limited to the terms and conditions of the agreement. Intertek assumes no liability to any party, other than to the Client in accordance with the agreement, for any loss, expense or damage occasioned by the use of this report. Only the Client is authorized to permit copying or distribution of this report and then only in its entirety. Any use of the Intertek name or one of its marks for the sale or advertisement of the tested material, product or service must first be approved in writing by Intertek. The observations and test results in this report are relevant only to the sample tested. This report by itself does not imply that the material, product, or service is or has ever been under an Intertek certification program.

Revision History

Report No.	Version	Description	Issued Date
221100599SHA-003	Rev. 01	Initial issue of report	August 19, 2023

TEST REPORT**Measurement result summary**

TEST ITEM	FCC REFERENCE	TEST RESULT	NOTE
RF Exposure	1.1310	Pass	-

Notes: 1: NA =Not Applicable

2: Determination of the test conclusion is based on IEC Guide 115 in consideration of measurement uncertainty.

3: Additions, Deviations and Exclusions from Standards: None.

TEST REPORT

1 GENERAL INFORMATION

1.1 Description of Equipment Under Test (EUT)

Product name:	Fitness Equipment TV Console
Type/Model:	TOUCH-02-C, TOUCH XL-02-C, Virtual training-02-C
Description of EUT:	The EUT is Fitness Equipment TV Console, there are three models, they are the same except model name, display size and rating current. We tested TOUCH XL-02-C as representative and listed the worst results in this report.
Rating:	12Vdc, 2A for TOUCH-02-C 12Vdc, 3A for TOUCH XL-02-C, Virtual training-02-C.
Category of EUT:	Class B
EUT type:	<input checked="" type="checkbox"/> Table top <input type="checkbox"/> Floor standing
Software Version:	/
Hardware Version:	/
Sample received date:	July 14, 2023
Date of test:	July 18, 2023

1.2 Technical Specification

Frequency Range:	111kHz – 205kHz
Modulation:	FSK
Antenna:	Coil antenna

TEST REPORT

1.3 Description of Test Facility

Name:	Intertek Testing Services Shanghai
Address:	Building 86, No. 1198 Qinzhou Road(North), Shanghai 200233, P.R. China
Telephone:	86 21 61278200
Telefax:	86 21 54262353

The test facility is recognized, certified, or accredited by these organizations:	CNAS Accreditation Lab Registration No. CNAS L0139
	FCC Accredited Lab Designation Number: CN0175
	IC Registration Lab CAB identifier.: CN0014
	VCCI Registration Lab Registration No.: R-14243, G-10845, C-14723, T-12252
	A2LA Accreditation Lab Certificate Number: 3309.02

TEST REPORT

2 TEST SPECIFICATIONS

2.1 Standards or specification

FCC PART 1 SECTION 1.1310
 KDB 680106 D01 RF Exposure Wireless Charging App v03

2.2 Mode of operation during the test

Within this test report, EUT was tested under all modes and tested under its rating voltage and frequency. Other voltage and frequency are specified if used. The worst data was listed in the report.

2.3 Test peripherals list

Item No.	Name	Brand and Model	Description
1	Wireless load	EESON	100%/50%/0% power level
2	Power Adapter	TC-33097	Power supply only

2.4 Record of climatic conditions

Test Item	Temperature (°C)	Relative Humidity (%)	Pressure (kPa)
RF Exposure	24	53	101

TEST REPORT**2.5 Instrument list**

Used	Equipment	Manufacturer	Type	Internal no.	Due date
<input checked="" type="checkbox"/>	Exposure Level Tester	Narda	ELT-400	EC 2928	2024-04-07
<input checked="" type="checkbox"/>	Field sensor & Field meter	AR	FL17000	EC 5818-1	2024-05-18

TEST REPORT

3 RF Exposure Assessment

Test result: Pass

3.1 Assessment Limit

Reference: 47 CFR §1.1310, KDB 680106

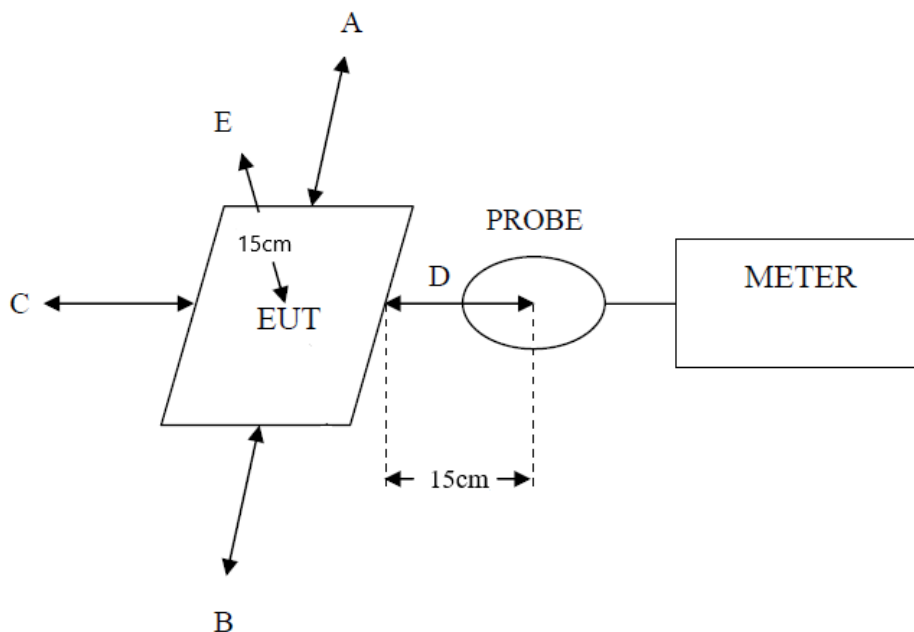
Limits for General Population/Uncontrolled Exposure

Frequency range [MHz]	Electric field strength [V/m]	Magnetic field strength [A/m]	Power density [mW/cm ²]	Averaging time [minutes]
0.1 – 0.3	614	1.63	*100	30
0.3 – 1.34	614	1.63	*100	30
1.34 – 30	824/f	2.19/f	*180/f ²	30
30 – 300	27.5	0.073	0.2	30
300 – 1 500	-	-	f/1500	30
1 500 – 100 000	-	-	1.0	30

Limits for Occupational/Controlled Exposure

Frequency range [MHz]	Electric field strength [V/m]	Magnetic field strength [A/m]	Power density [mW/cm ²]	Averaging time [minutes]
0.1 – 0.3	614	1.63	*100	6
0.3 – 3.0	614	1.63	*100	6
3.0 – 30	1842/f	4.89/f	*900/f ²	6
30 – 300	61.4	0.163	1.0	6
300 – 1 500	-	-	f/300	6
1 500 – 100 000	-	-	5	6

3.2 Assessment Configuration



TEST REPORT

3.3 Assessment Results

Test result of Magnetic Field Strength:

Test Position	Test distance (cm)	Test result (A/m)	Limit (A/m)	Result (Pass/Fail)
A: Right	15	0.0063	1.63 *0.5	Pass
B: Left	15	0.0057	1.63 *0.5	Pass
C: Front	15	0.0053	1.63 *0.5	Pass
D: Back	15	0.0047	1.63 *0.5	Pass
E: Top	15	0.0052	1.63 *0.5	Pass

Test result of Electric Field Strength:

Test Position	Test distance (cm)	Test result (V/m)	Limit (V/m)	Result (Pass/Fail)
A: Right	15	0.73	614 *0.5	Pass
B: Left	15	0.69	614 *0.5	Pass
C: Front	15	0.56	614 *0.5	Pass
D: Back	15	0.49	614 *0.5	Pass
E: Top	15	0.63	614 *0.5	Pass

***** END *****