

6

5

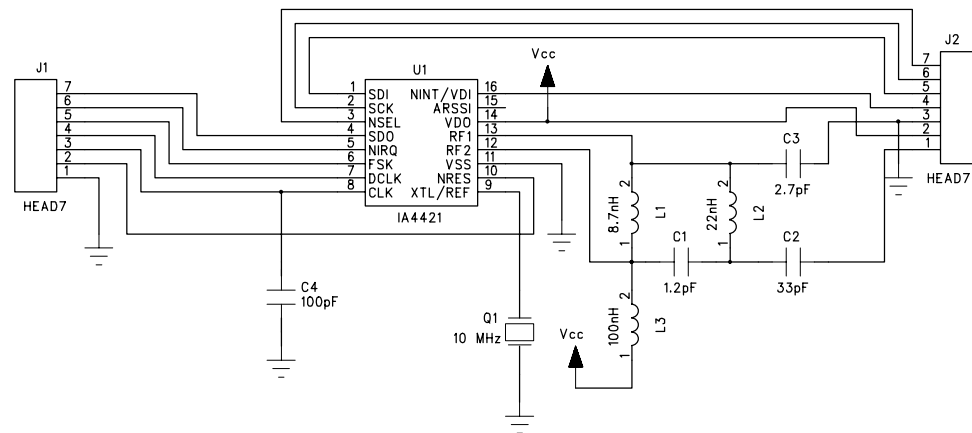
4

3

2

1

REVISION RECORD			
LTR	ECO NO:	APPROVED:	DATE:



COMPANY: AZ-Instrument			
TITLE: VZ38915AZ			
DRAWN: Isaac	DATED: Sep 9th, 07	CODE:	SIZE:
CHECKED: Johnson	DATED: Sep 11th, 07	DRAWING NO:	
QUALITY CONTROL: Chark	DATED: Sep 25th, 07	REV: A	
RELEASED: Isaac	DATED: Sep 30th, 07	SCALE:	SHEET: 1 OF 1

D

D

C

C

B

B

A

A