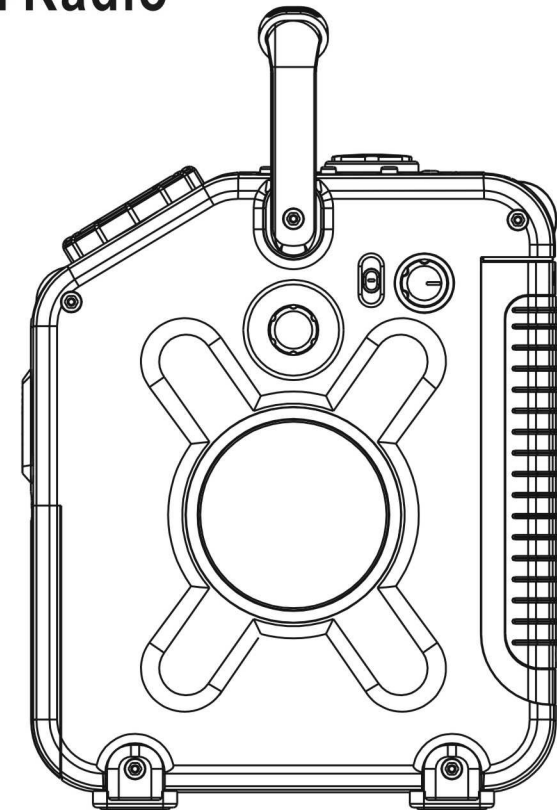


Model: JJCL

# Jeep®

## JEEP AM/FM/WB, Flashlight Fluorescent Lantern Radio



This device complies with Part 15 of FCC rules and does not cause harmful interference. This product may cause Interference to radio equipment and should not be installed near maritime safety communications equipment or other critical navigation or communication equipment operating between 0.45-30 MHz. Variations of this language are permitted provided all the points of the statement are addressed and may be presented in any legible font or et. Style.

Warning: Changes or modifications to this unit not expressly approved by the party responsible for compliance could void the user's authority to operate the equipment.

NOTE: This equipment has been tested and found to comply with the limits for a Class B digital device, pursuant to Part 15 of the FCC Rules. These limits are designed to provide reasonable protection against harmful interference in a residential installation. This equipment generates, uses and can radiate radio frequency energy and, if not installed and used in accordance with the instructions, may cause harmful interference to radio communications.

However, there is no guarantee that interference will not occur in a particular installation. If this equipment does cause harmful interference to radio or television reception, which can be determined by turning the equipment off and on, the user is encouraged to try to correct the interference by one or more of the following measures:

- Reorient or relocate the receiving antenna.
- Increase the separation between the equipment and receiver.
- Connect the equipment into an outlet on a circuit different from that to which the receiver is connected.
- Consult the dealer or an experienced radio/TV technician for help.

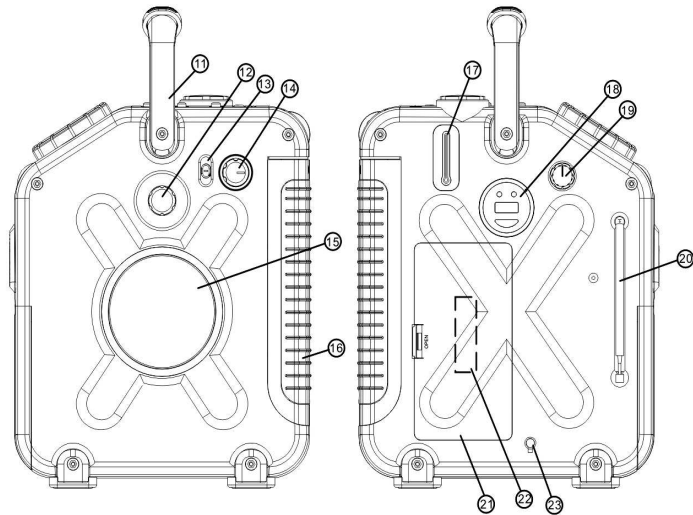
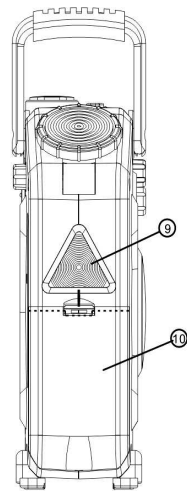
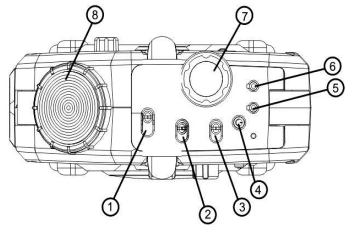
Modifications not authorized by the manufacturer may void user's authority to operate the device.

Jeep® is a registered trademark of DaimlerChrysler Corporation and is used under license. ©DaimlerChrysler Corporation 2005.

ANY QUESTIONS ON THIS PRODUCT, PLEASE CONTACT **Jeep** LICENSEE:

Power Brands  
80-A EAST JEFRYN BLVD  
DEER PARK, NY 11729  
USA  
Phone: 800-354-8785

**Customer Assistance Phone Number: 1-800-354-8785**  
Power Brands LLC  
80A East Jefryn Blvd  
Deer Park, NY 11729  
Product Made in China



- |                             |                                |
|-----------------------------|--------------------------------|
| 1. EMERGENCY SWITCH         | 13. BAND SWITCH                |
| 2. FLASHLIGHT ON/OFF SWITCH | 14. VOLUME ON/OFF CONTROL      |
| 3. LANTERN ON/OFF SWITCH    | 15. LOUDSPEAKER                |
| 4. POWER SWITCH             | 16. LANTERN                    |
| 5. EARPHONE JACK            | 17. THERMOMETER                |
| 6. MICROPHONE JACK          | 18. LCD CLOCK                  |
| 7. COMPASS                  | 19. MOSQUITO REPELLER SWITCH   |
| 8. FLASHLIGHT               | 20. FM TELESCOPIC ANTENNA      |
| 9. BLINKER LIGHT            | 21. BATTERY DOOR               |
| 10. STORAGE BOX             | 22. BATTERY DOOR FOR LCD CLOCK |
| 11. HANDLE                  | 23. DC JACK                    |
| 12. TUNING KNOB             |                                |

#### Installing or Replace Batteries for Lantern Radio

Pull out the battery door (21) and install or replace the battery 4 x D cell following the polarity diagram in the battery compartment. To use recharge feature, you must purchase accessories.

- 6V AC adapter or DC car cord.
- 4 rechargeable batteries into unit and plug into wall or car power port. Unit will automatically recharge batteries.
- Use recharge battery manufacturers recommendations for charge time.
- Note unit will not recharge regular Alkaline batteries. These must be replaced when low for unit to function properly.

#### Installing or Replace Dry Cell Battery for LCD Clock

Pull out the battery door for LCD clock (22) and install dry cell battery 1 x AAA following the polarity diagram in the battery compartment.

#### REMARK:

Replace the Rechargeable batteries when the sound becomes weak or distorted at ordinary volume level when listening to the radio or dim light.

Special note: Battery door for LCD clock is located inside large D Cell battery compartment.

Door for clock battery is located inside main battery compartment. Remove main compartment door(21) to access and remove clock battery door (22). Place AAA battery using correct polarity (+ -) and replace door (22)

#### Power Switch

You will need to first press the Power Switch (4) once to turn on the power for Lantern radio operation.

#### Emergency Switch

When in emergency, turn Emergency Switch (1) to FLASH for flashing red light, SIREN for warning sound and S/F for both flashing red light and warning sound.

#### Flashlight

Turn the Flashlight On/Off Switch (2) to ON to turn on the Flashlight. You may pull out and adjust the best angle of the Flashlight (8).

To replace flashlight bulb:

1. Grasp rubber flashlight head and silver housing simultaneously. Twist head to left approx. 1/4 turn, extrusion on head (male) should match (female) slot on silver housing. Pull rubber head off silver housing.
2. Unscrew flashlight bulb and replace with similar bulb.
3. To replace rubber flashlight, make sure clear plastic lens is in slotted position on head. Then match head extrusion (male) to (female) slot on silver housing. Push rubber head onto housing. Twist head to right 1/4 turn to lock into place.

#### Lantern

Turn the Lantern On/Off Switch (3) to ON to turn on the Lantern. You may pull our and adust the best angel of the lantern(16).

\* Compartment under lantern is simply for storage of small things.

\* To replace lantern tube remove 3 screws holding plastic lantern cover. Twist and pul out old tube and replace with similar tube.

#### Radio/Siren Operation

- Turn the volume control(14) counter-clockwise until sound comes out from speaker. A click sound indicated the unit has been turned on.

- Set the Band switch(13) to either AM or FM or WB(weather band) as desired.

- Adjust the Tuning knob(12) to select station.

- Insert the earphone (not included) plug into the Earphone Jack(5) when listening radio privately.

- Using earphone jack: Plug earphone or headphone into earphone jack for private listening of radio.

- Insert the microphone (not included) into the MIC Jack (6).

- Using microphone jack: Unit may be used as a loudspeaker by simply plugging microphone into proper jack. Voice will come through speaker. Note other audio functions do not operate, while mic jack is being used. Also, microphone will not function if lantern is siren/flasher mode. Note: it is normal that properly with lantern.

#### Mosquito Repeller

Turn the Mosquito Repeller Switch counter-clockwise to it on.

The effectiveness of this feature is not measurable and should not be considered a viable method to repel mosquitoes.

#### Correct the Time and Date

\* Press the Mode button ocne to show time and day.

\* Press the Mode button again for month setting, then press Set button for each advancing.

\* Press the Mode button again for day setting, then press Set button for each advancing.

\* Press the Mode button again for hour setting, then press Set button for each advancing.

\* Press the Mode button again for minute setting, then press Set button for each advancing.

\* Press the Mode button again once more to complete the Date and Time setting.

Note: Clock face(18) has protective film, you may remove this by simply peeling off.

Frequency: FM: 88-108 MHz

AM: 530-1700 KHz

WB: 162-163 MHz

Antenna FM: built-in coil antenna

AM: built-in ferrite bar

Speaker Type: 3 Loudspeaker

AC Charger: 6V, 300mA

#### WARNINGS

Clean only with a soft, damp cloth. Avoid abrasives or harsh chemical cleaners.

Do not short-circuit supply terminals.

Do not mix old/new batteries, different brands or type.

Do not disassemble battery or dispose of in fire