

Blackboard

transaction *System*

PS4100


Installation Guide



Commerce Suite



Blackboard

Blackboard Inc.	PS4100
	Tested To Comply With FCC Standards
FOR HOME OR OFFICE USE	

This Class B digital apparatus complies with
Canadian ICES-003

Cet appareil numérique de la classes B est conform
à la norme NMB-003 du Canada

This device complies with Part 15 of the FCC Rules. Operation is subject to the following two conditions: (1) This device may not cause harmful interference, and (2) this device must accept any interference received, including interference that may cause undesired operation.

Part 15.21: Changes or modifications not expressly approved by the party responsible for compliance could void the user's authority to operate the equipment.

NOTE: The manufacturer is not responsible for any radio or TV interference caused by unauthorized modifications to this equipment. Such modifications could void the user's authority to operate the equipment.

This equipment complies with the FCC radiation exposure limits set forth for an uncontrolled environment. End users must follow the specific operating instructions for satisfying RF exposure compliance. The antenna(s) used for this transmitter must be installed to provide a separation distance of at least 20 cm from all persons and must not be co-located or operating in conjunction with any other antenna or transmitter.

PS4100 INSTALLATION GUIDE



Figure 1-1 PS4100 Card Reader

Prerequisites:

- POS terminal (BbTS 3.6 image)
- Available USB port on the POS terminal

OBJECTIVES

After reading this guide you can:

- Install the PS4100 Reader Stand
- Install the PS4100 Reader

INSTALL THE PS4100 STAND

To Install the PS4100 stand

- 1 Locate the Key Hole Pins on the stand, and the Keyholes on the back of the reader.

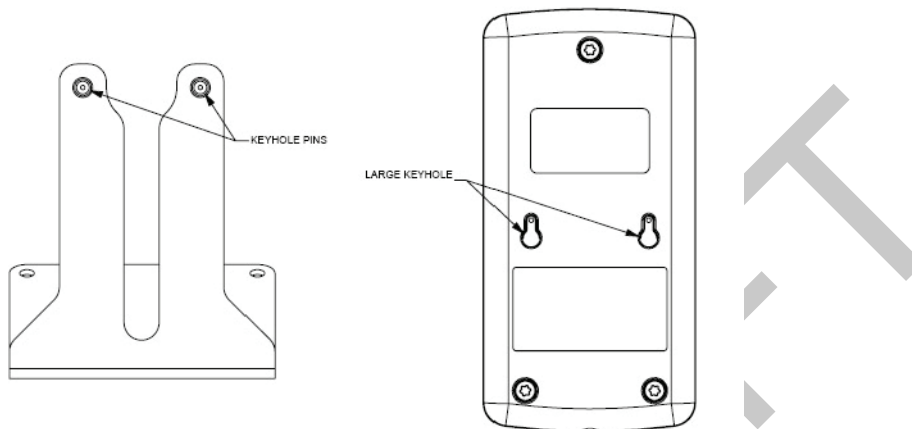


Figure 1-2 Key Hole Pins and Keyholes

- 2 Align the reader Keyholes with the stand Key Pins, and then push in the direction shown.

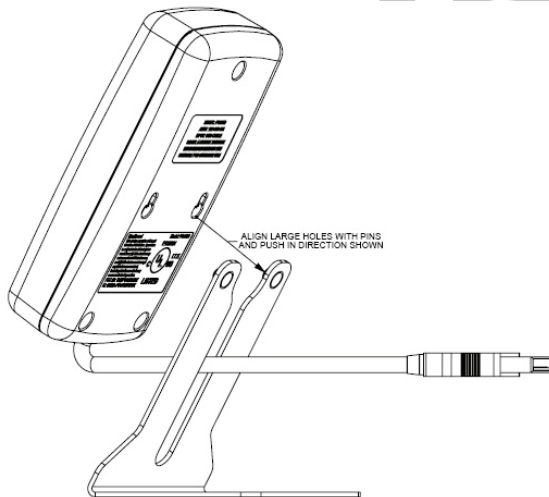


Figure 1-3 Reader and Stand Alignment

- 3 Push down to lock.

INSTALL THE PS4100 READER

The PS4100 reader driver is pre-configured in the POS image, configuration is not required.

The PS4100 reader uses a modulated magnetic field for reading contactless cards. Avoid operating the PS4100 within 2 feet of sensitive electrical equipment.

To install the PS4100 reader

- 1 Connect the PS4100 USB cable into an available USB port on the POS terminal.
Allow the POS terminal to recognize the new hardware.
- 2 To start using the reader, tap a Blackboard FeliCa card on the reader.

Table 1-1: PS4100 LED Reference

LED Color	Description
Green	Valid card, the valid tone sounds.
Red	Denied, the invalid tone sounds.
White (Blackboard logo)	Power is present to the reader.

SPECIFICATIONS

Physical Size:	Dimensions: 2.25" W x 4.5" H x 1.2" D Weight: 0.25 lbs
Input Power:	5VDC 150mA, 1.8 Watts Maximum
Operating:	Temperature: 0 to 60+ degrees Celsius Relative Humidity: 0 to 95 percent, non-condensing Altitude: 0 - 10,000 feet
Non-Operating:	Temperature: -20 to +70 degrees Celsius Relative Humidity: 0 to 95 percent, non-condensing Altitude: 0 - 35,000 feet

This device contains an integrated lithium battery (BR2032). There is a risk of fire if the battery is replaced with an incorrect type. Proper disposal of a used battery is essential.
