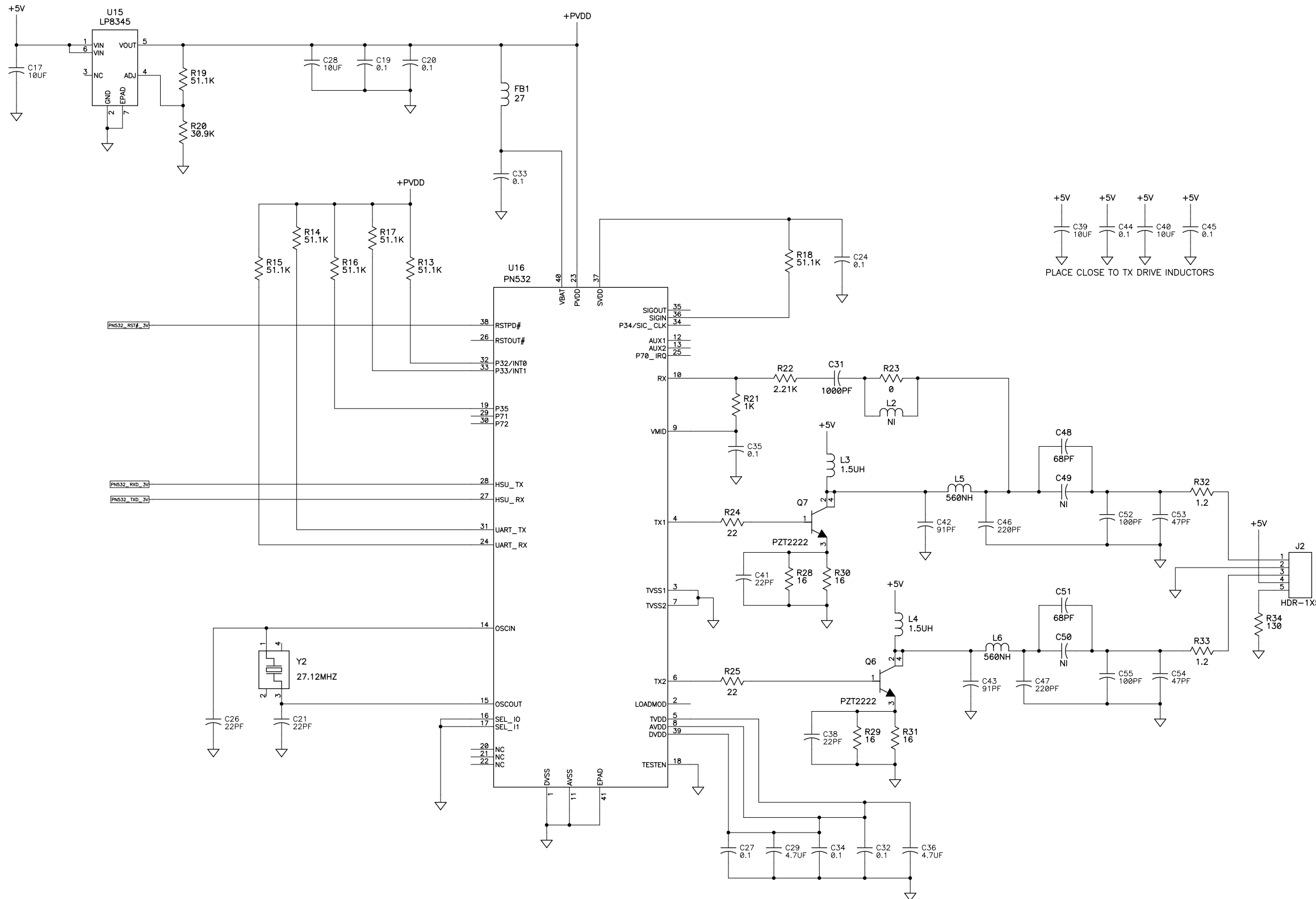
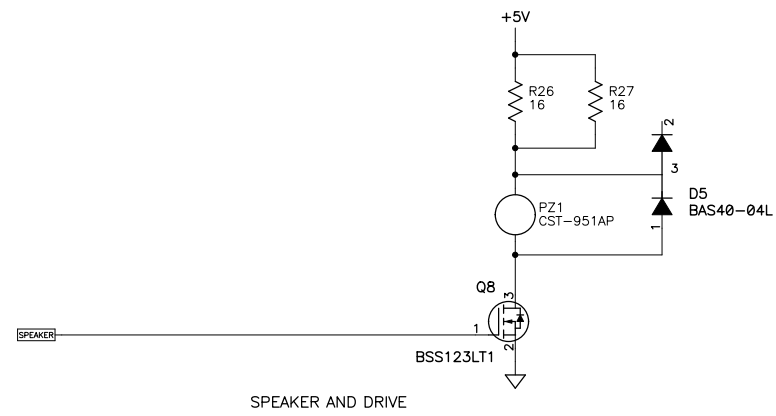
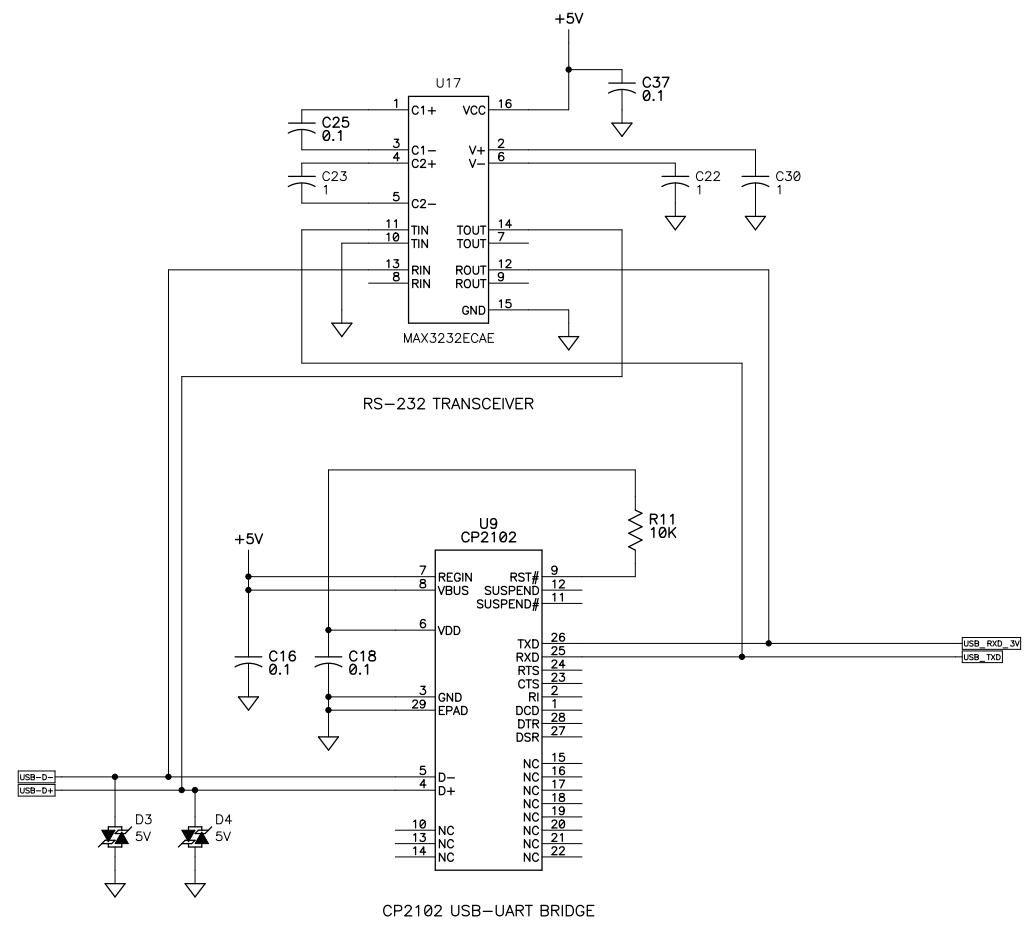
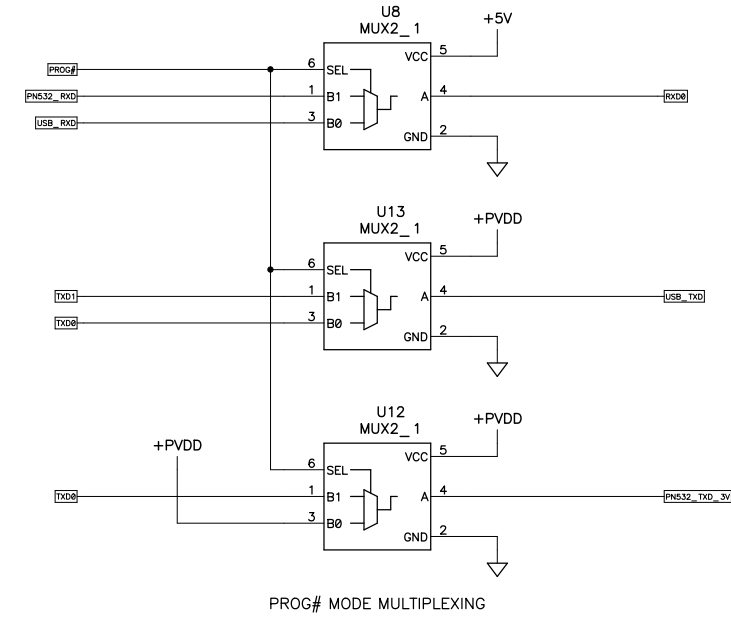
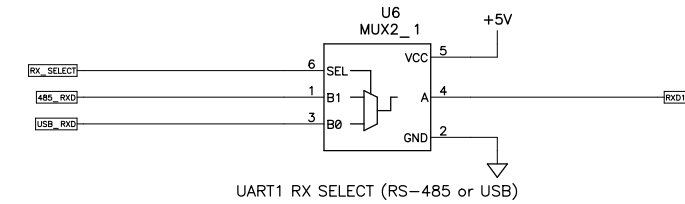
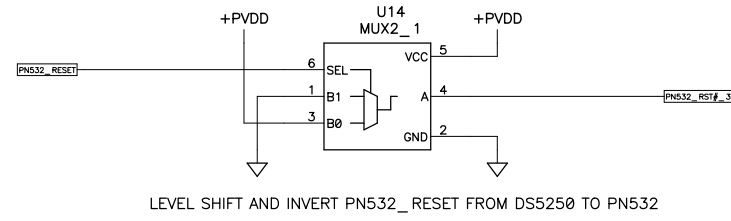
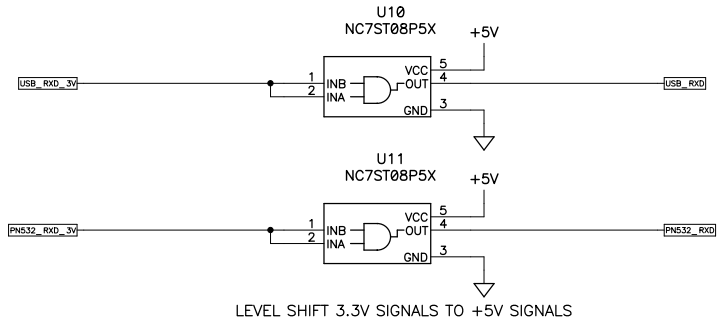
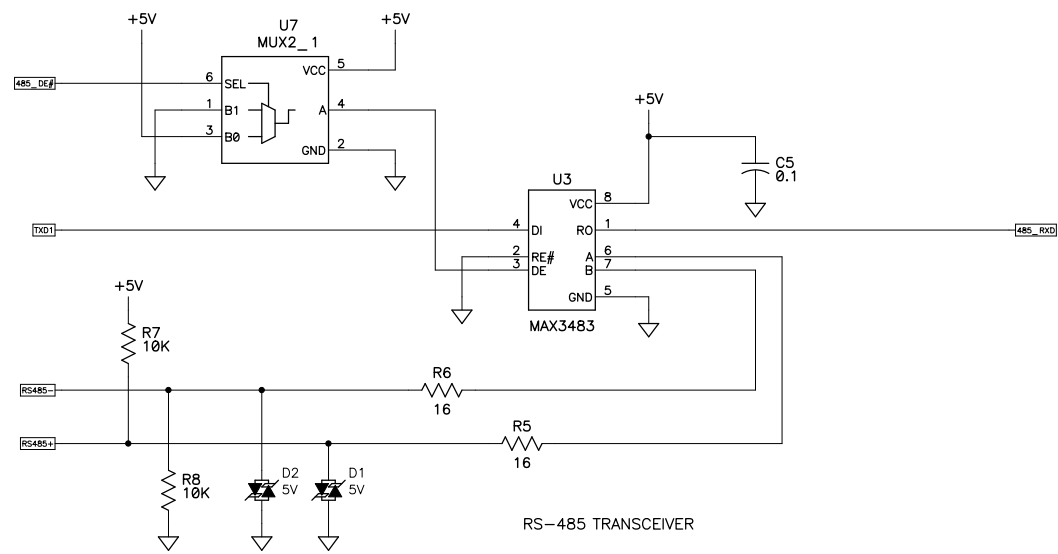


Blackboard Inc.	
Phoenix, Arizona	
PRODUCT: SE3-RDR100	(PG 1)
PART: SE3-RDR100 PWA	
PART NO: 051-700-234	REV: A
SCH FILE: T051700234A.SCH	
DATE: 5-1-2009	
CHANGE ORDER: TBD	
DESIGN BY: TLK	DWG BY: TLK

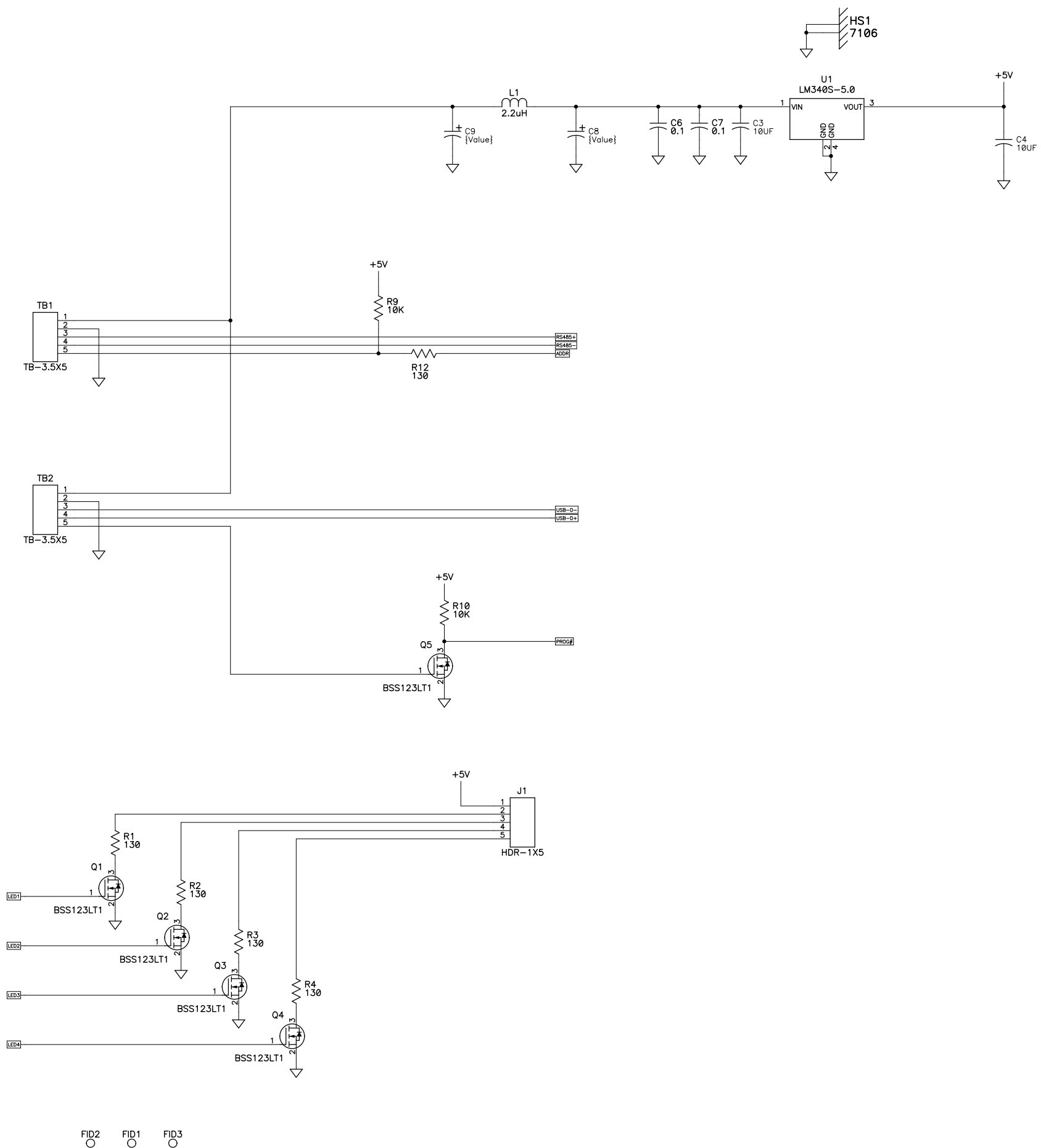


+5V +5V +5V +5V
 C39 10UF C44 0.1 C40 10UF C45 0.1
 PLACE CLOSE TO TX DRIVE INDUCTORS

Blackboard Inc.	
Phoenix, Arizona	
PRODUCT: SE3-RDR100	(PG 2)
PART: SE3-RDR100 PWA	
PART NO: 051-700-234	REV: A
SCH FILE: T051700234A.SCH	
DATE: 5-1-2009	
CHANGE ORDER: TBD	
DESIGN BY: TLK	DWG BY: TLK



Blackboard Inc.	
Phoenix, Arizona	
PRODUCT: SE3-RDR100	(PG 3)
PART: SE3-RDR100 PWA	
PART NO: 051-700-234	REV: A
SCH FILE: T051700234A.SCH	
DATE: 5-1-2009	
CHANGE ORDER: TBD	
DESIGN BY: TLK	DWG BY: TLK



FID2 FID1 FID3

Blackboard Inc.	
Phoenix, Arizona	
PRODUCT: SE3-RDR100	(PG 4)
PART: SE3-RDR100 PWA	
PART NO: 051-700-234	REV: A
SCH FILE: T051700234A.SCH	
DATE: 5-1-2009	
CHANGE ORDER: TBD	
DESIGN BY: TLK	DWG BY: TLK