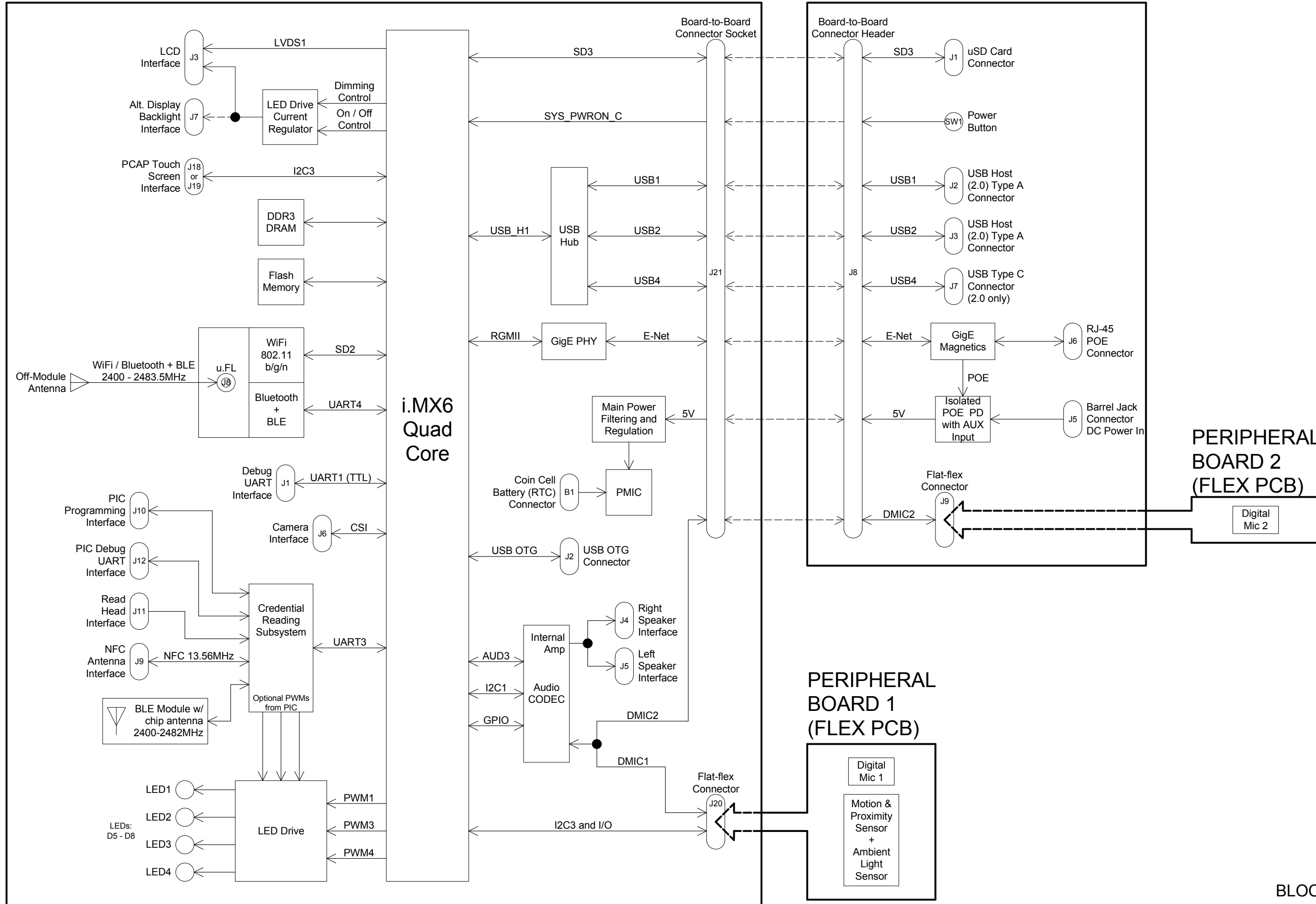


MAIN BOARD

CONNECTOR BOARD



BLOCK DIAGRAM