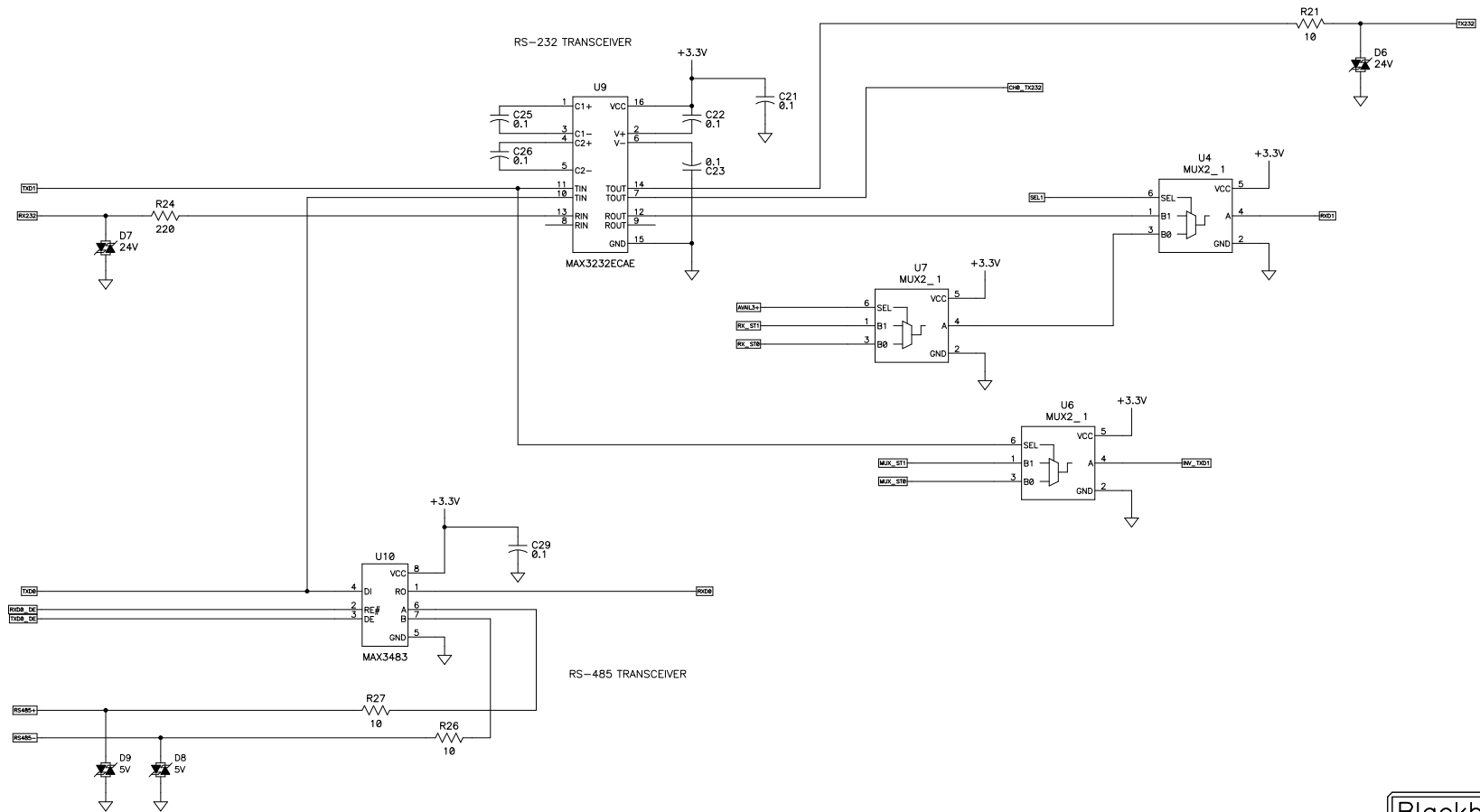
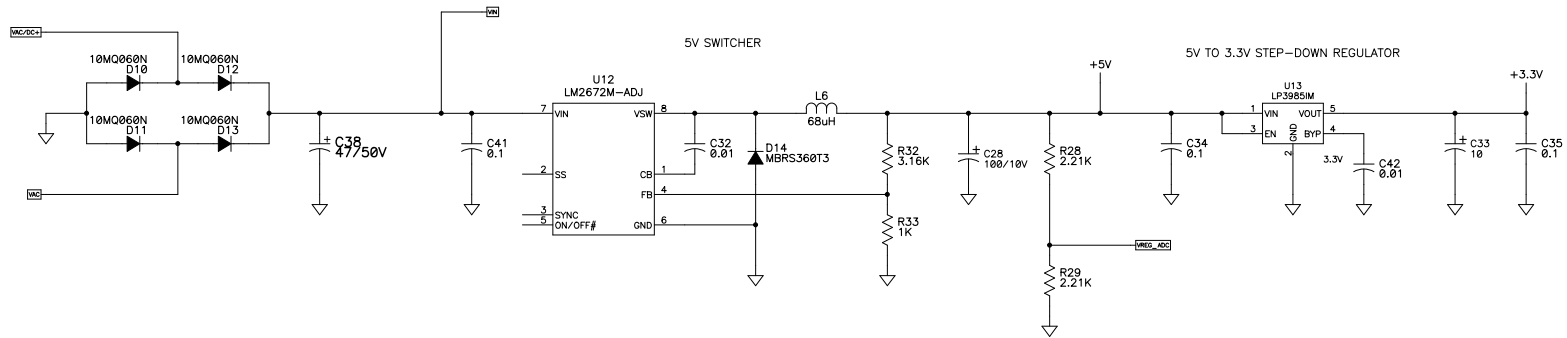
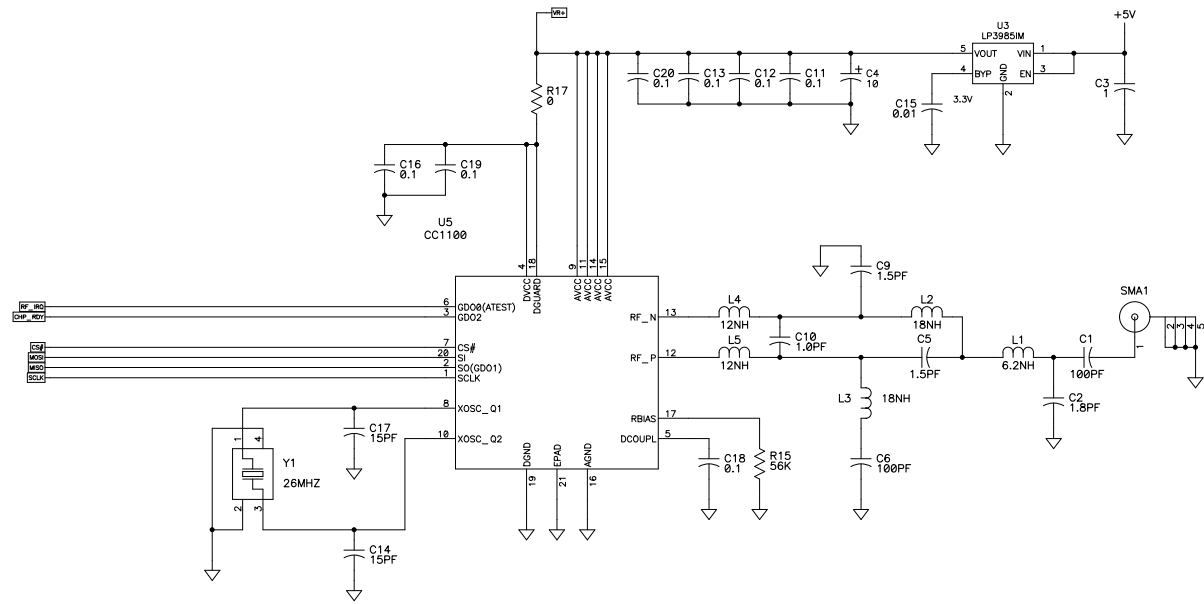


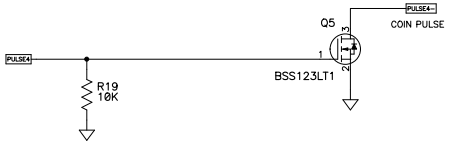
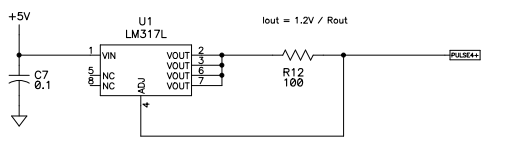
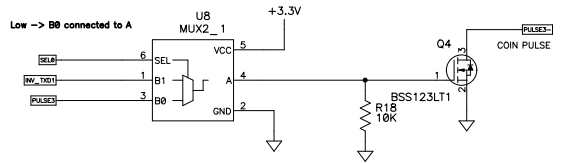
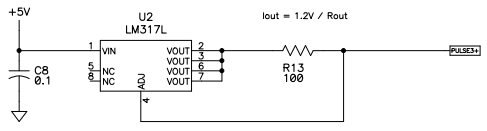
Blackboard Inc.	
Phoenix, Arizona	
PRODUCT: LC3000 CHIPCON WIM	(PG 1)
PART: WIM	
PART NO: 051-700-222	REV: A
SCH FILE: T051700222A.SCH	
DATE: 09-24-2007	
CHANGE ORDER: 5758	
DESIGN BY: TLM	DWG BY: TLM



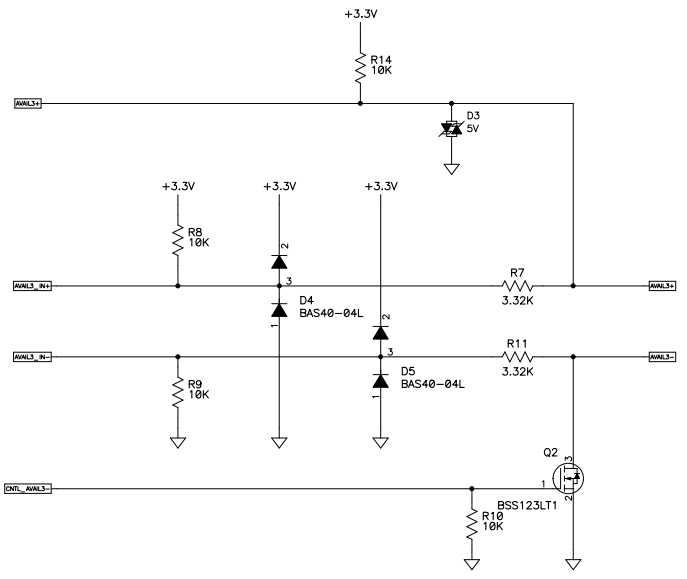
Blackboard Inc.	
Phoenix, Arizona	
PRODUCT: LC3000 CHIPCON WIM	(PG 2)
PART: WIM	
SCH FILE: T051700222A.SCH	REV: A
DATE: 09-24-2007	
CHANGE ORDER: 5758	
DESIGN BY: TLM	DWG BY: TLM



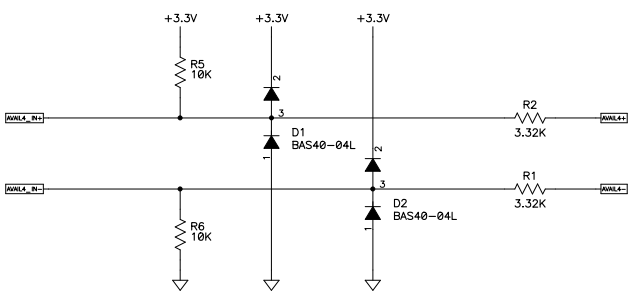
Blackboard Inc.	
Phoenix, Arizona	
PRODUCT: LC3000 CHIPCON WIM	(PG 3)
PART: WIM	
PART NO: 051-700-222	REV: A
SCH FILE: T051700222A.SCH	
DATE: 09-24-2007	
CHANGE ORDER: 5758	
DESIGN BY: TLM	DWG BY: TLM



MAYTAG TRAC II
MAYTAG TRAC III
SPEEDQUEEN ALLIANCE EDC
SPEEDQUEEN ALLIANCE EDC II
SPEEDQUEEN ALLIANCE CARDMASTER



AVAILABLE INPUT
DRY CONTACT OR SERIAL OUTPUT ON MAYTAG

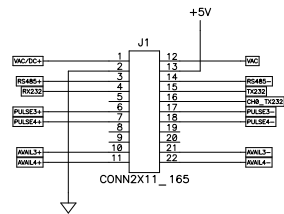


AVAILABLE INPUT
DRY CONTACT

MAYTAG TRAC II
MAYTAG TRAC III
SPEEDQUEEN ALLIANCE EDC
SPEEDQUEEN ALLIANCE EDC II
SPEEDQUEEN ALLIANCE CARDMASTER

Blackboard Inc.	
Phoenix, Arizona	
PRODUCT:	
PART:	
PART NO:	REV:
SCH FILE:	
DATE:	
CHANGE ORDER:	
DESIGN BY:	DWG BY:

FID1
○
FID2
○



Blackboard Inc.	
Phoenix, Arizona	
PRODUCT:	
PART:	
PART NO:	REV:
SCH FILE:	
DATE:	
CHANGE ORDER:	
DESIGN BY:	DWG BY: