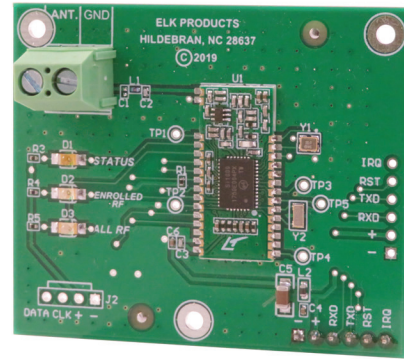


ELK-E27RF9 Two-Way Wireless Transceiver for E27



APPLICATION:

The ELK-E27RF9 is a two-way wireless transceiver that allows the E27 Alarm Engine to support ELK's two-way wireless line of sensors. This transceiver connects to a dedicated connector on the E27 board. It features LED indicators for status and RF signals.



SPECIFICATIONS:

- Wireless zone capacity: 128
- Operating Frequency: 902 MHz to 928 MHz
- Current Draw: 35mA receiving, 85 mA transmitting

Features or Specifications subject to change without notice.

INSTALLATION INSTRUCTIONS:

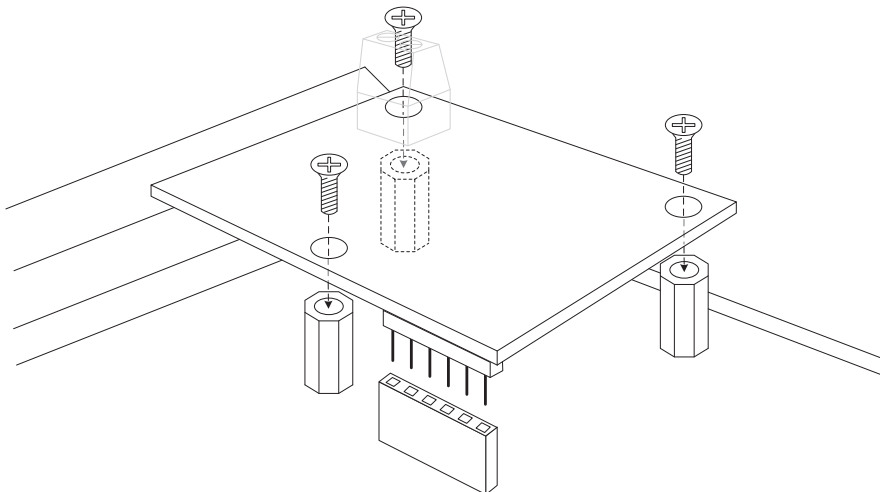


Before installing the wireless transceiver, TURN THE E27 MASTER POWER SWITCH OFF.

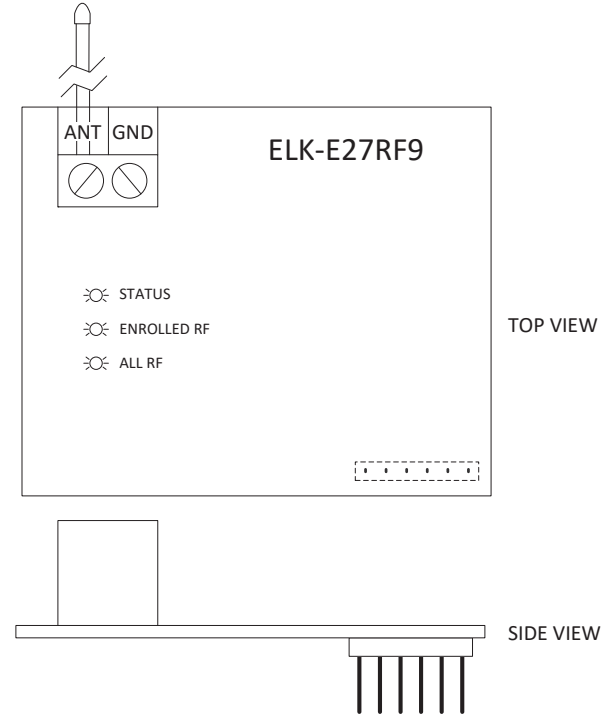


1. Remove the cover from the E27 board and locate the 6-pin connector and 3 screw studs in the upper left corner
2. Carefully align the 6-pin male connector in the lower right corner of the E27RF9 wireless transceiver with the 6-pin female connector on the E27 board. Ensure E27RF9 wireless transceiver is fully seated into the connector.
3. Install 3 screws (provided) through the E27RF9 wireless transceiver into the screw studs located on the E27 board. (see illustration below).
4. Install supplied antenna in the ANT screw terminal located in the upper left corner of the E27RF9 wireless transceiver.

Please refer to the ElkConnect app instructions for details on enabling the E27RF9 into the E27 system.



Alignment & Installation of the E27RF9 Wireless Transceiver on E27 Board



LED Indicators	
STATUS	
OFF	No Power to the unit
ON SOLID	Powered up but not enabled with the E27 or the microprocessor is not functioning
BLINKING	Normal Operating mode
ENROLLED RF	
Flashes when a signal packet from a valid (enrolled) device has been sent to the E27	
ALL RF	
Flashes when any transmission is detected in the same frequency as the E27RF9 transceiver	

LIMITED WARRANTY

The ELK-E27RF9 Wireless Transceiver is warranted to be free from defects and workmanship for a period of 2 years from date of manufacture. Elk makes no warranty, express or implied, including that of merchantability or fitness for any particular purpose with regard to batteries used with wireless devices. Refer to Elk's website for full warranty statement and details.

FCC AND IC COMPLIANCE STATEMENT:

This device complies with part 15 of the FCC Rules. Operation is subject to the following two conditions: (1) This device may not cause harmful interference, and (2) this device must accept any interference received, including interference that may cause undesired operation.

Changes or modifications not expressly approved by the party responsible for compliance could void the user's authority to operate the equipment.

This equipment has been tested and found to comply with the limits for a Class B digital device, pursuant to Part 15 of the FCC Rules. These limits are designed to provide reasonable protection against harmful interference in a residential installation. This equipment generates uses and can radiate radio frequency energy and, if not installed and used in accordance with the instructions, may cause harmful interference to radio communications. However, there is no guarantee that interference will not occur in a particular installation. If this equipment does cause harmful interference to radio or television reception, which can be determined by turning the equipment off and on, the user is encouraged to try to correct the interference by one of the

- following measures:
 - Reorient or relocate the receiving antenna.
 - Increase the separation between the equipment and receiver.
 - Connect the equipment into an outlet on a circuit different from that to which the receiver is connected.
 - Consult the dealer or an experienced radio/TV technician for help.

This device contains licence-exempt transmitter(s)/receiver(s) that comply with Innovation, Science and Economic Development Canada's licence-exempt RSS(s). Operation is subject to the following two conditions:

- This device may not cause interference.
- This device must accept any interference, including interference that may cause undesired operation of the device

L'émetteur/récepteur exempt de licence contenu dans le présent appareil est conforme aux CNR d'Innovation, Sciences et Développement économique Canada applicables aux appareils radio exempts de licence. L'exploitation est autorisée aux deux conditions suivantes :

- L'appareil ne doit pas produire de brouillage;

- L'appareil doit accepter tout brouillage radioélectrique subi, même si le brouillage est susceptible d'en compromettre le fonctionnement.

This equipment complies with ISEC RSS-102 radiation exposure limits set forth for an uncontrolled environment. This transmitter must be installed to provide a separation distance of at least 20cm from all persons and must not be co-located or operating in conjunction with any other antenna or transmitter.

Cet équipement est conforme aux limites d'exposition aux rayonnements ISEC RSS-102 établies pour un environnement non contrôlé. Cet émetteur doit être installé pour fournir une distance de séparation d'au moins 20 cm de toutes les personnes et ne doit pas être co-localisé ou fonctionner en conjonction avec une autre antenne ou émetteur.

CAN ICES-3 (B)/NMB-3(B)

ELK-E27RF9 Two Way Wireless Transceiver
FCC ID: TMA-E27RF9 IC: 4353A-E27RF9



PO Box 100 3266 US Hwy 70 West
Hildebran, NC 28637
Phone 828-397-4200 <https://www.elkproducts.com>

Printed In USA

L696 2/11/2022