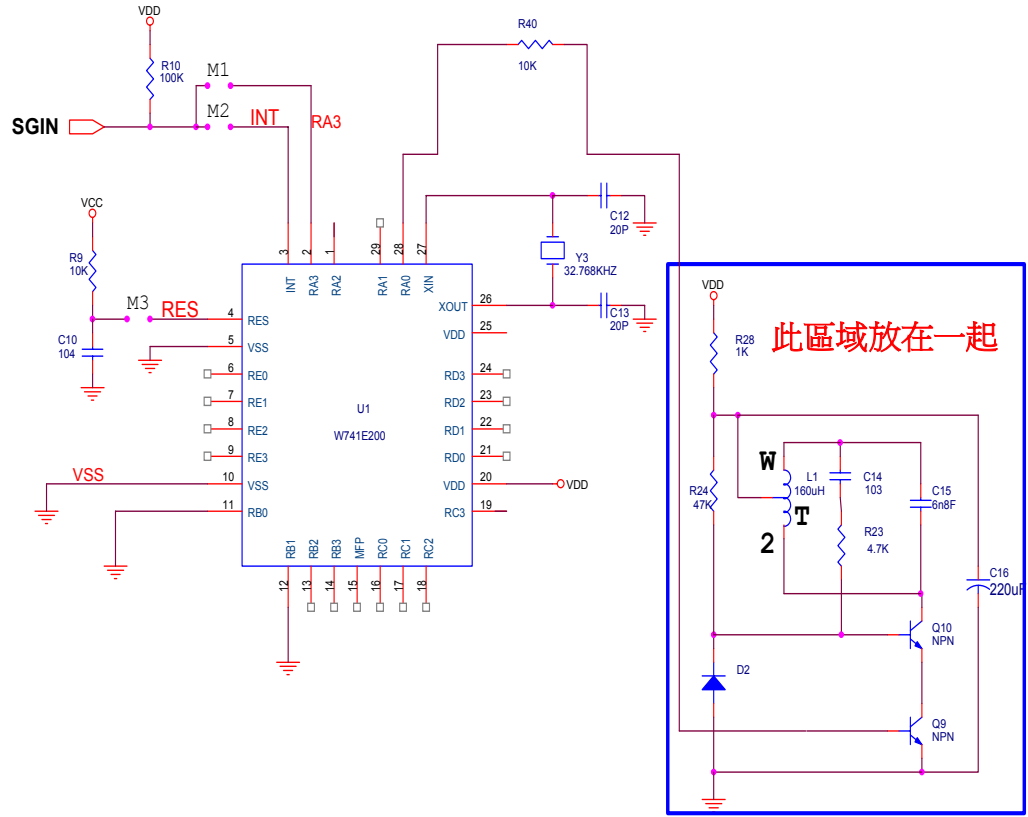
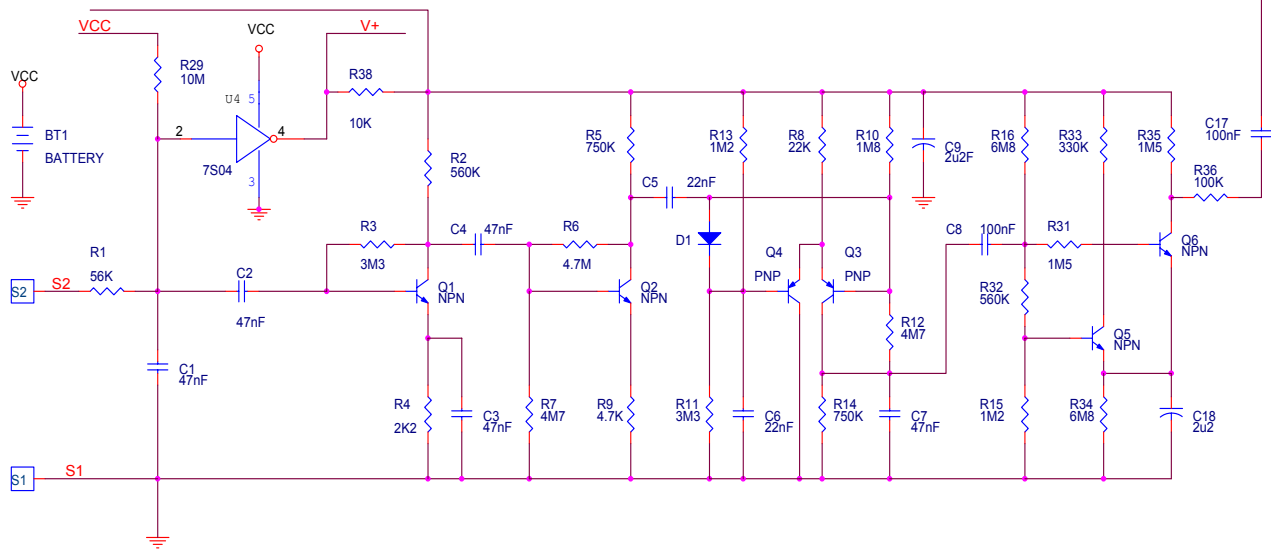
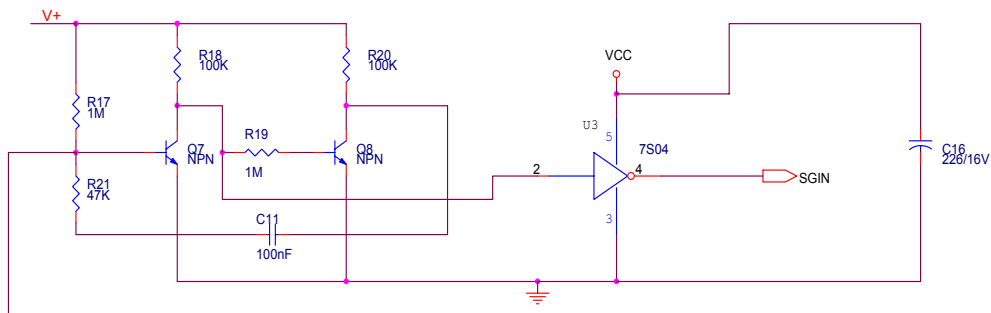


- 1 VSS
- 2 INT
- 3 RES
- 4 RA3
- 5 VDD



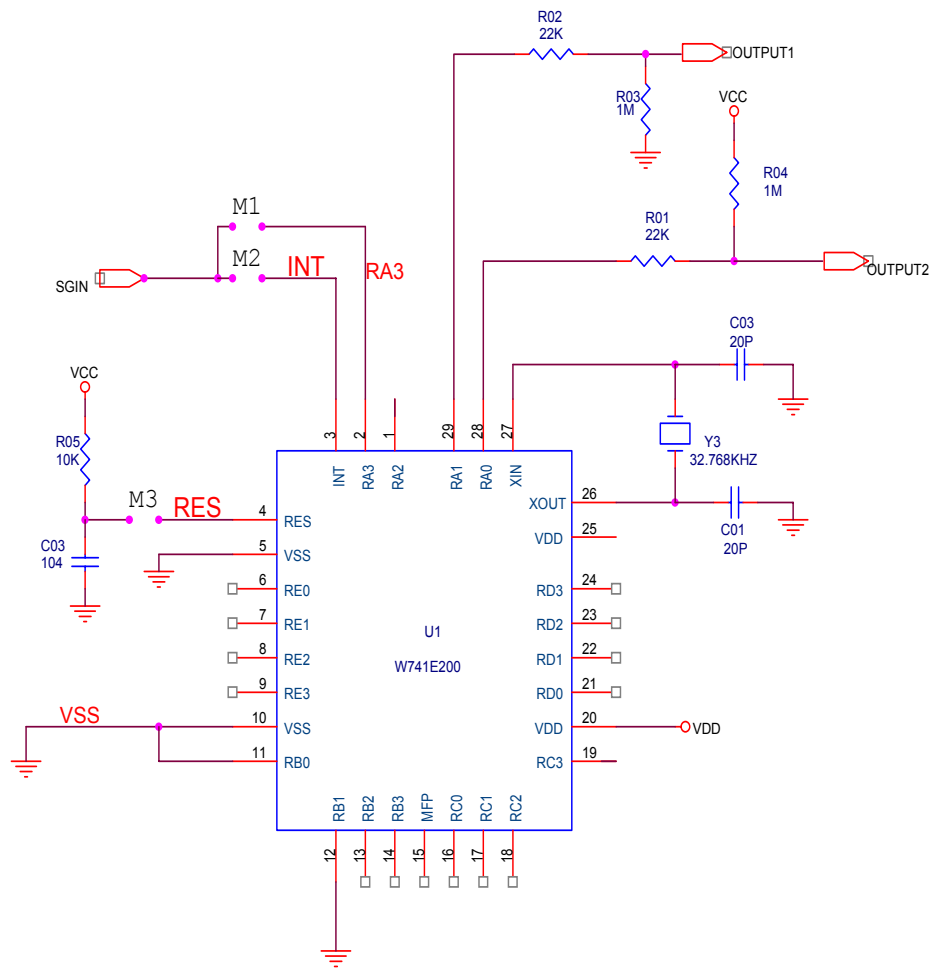
MATERIAL	Direction Technology Co., Ltd.				
	DRAWING NO.	TX122K-GE-A-001	MODEL NO.	122K-TX15	
TOLERANCE	DRAWING PAPER	A4		PARTS NAME	電路圖
X. +		UNITS	<input type="checkbox"/> mm	APPROVED BY	CHECKED BY
X. X. +			<input type="checkbox"/> inch		
X. XX +		SCALE		DRAWN BY	DRAWN DATE
TREAT, EMT					
					SHEET OF

表單編號：FR73-06



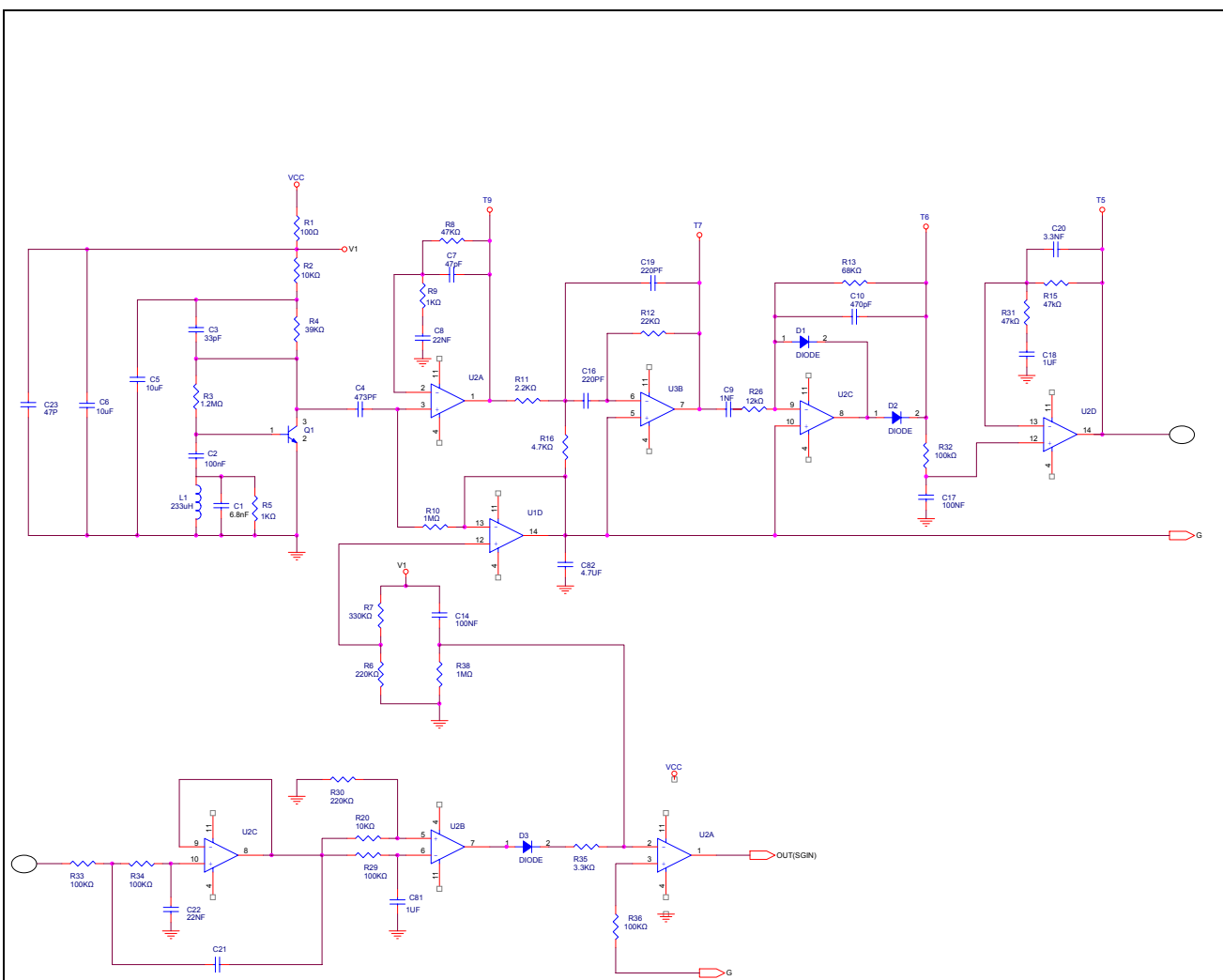
MATERIAL		Direction Technology Co., Ltd.			
DRAWING NO.		TX122K-GE-A-002		MODEL NO.	122K-TX15
TOLERANCE		DRAWING PAPER		PARTS NAME	電路圖
X. +		A4			
X. X. +		UNITS	<input type="checkbox"/> mm	APPROVED BY	CHECKED BY
X. XX +			<input type="checkbox"/> inch		
TREAT, EMT		SCALE		DRAWN BY	DRAWN DATE
					SHEET OF

- 1 VSS
- 2 INT
- 3 RES
- 4 RA3
- 5 VDD



MATERIAL	Direction Technology Co., Ltd.			
	DRAWING NO.	SENSOR9-GE-A-001	MODEL NO.	SENSOR9
TOLERANCE	DRAWING PAPER	A4	PARTS NAME	電路圖
X. +	UNITS	<input type="checkbox"/> mm	APPROVED BY	CHECKED BY
X. X. +		<input type="checkbox"/> inch		
X. XX +	TREAT, EMT		DRAWN BY	DRAWN DATE
	SCALE			
				SHEET OF

表單編號：FR73-06



MATERIAL	Direction Technology Co., Ltd.						
	DRAWING NO.	SENSOR9-GE-A-002		MODEL NO.	SENSOR9		
TOLERANCE	DRAWING PAPER	A4		PARTS NAME	電路圖		
X. +		UNITS	<input type="checkbox"/> mm	APPROVED	CHECKED		
X. X. +			<input type="checkbox"/> inch	BY	BY		
X. XX +		SCALE		DRAWN BY	DRAWN DATE		
TREAT, EMT							SHEET OF

表單編號：FR73-06