

AW-CM358AN

**IEEE 802.11a/b/g/n/ac WLAN with
Bluetooth 5.2 Combo LGA Module with
Printed Antenna**

Datasheet

Rev. C

DF

(For Standard)

Features

Wi-Fi

- 1 antennas to support 1(Transmit) × 1(Receive) technology and Bluetooth
- High speed wireless connection up to 433.3Mbps transmit/receive PHY rate using 80MHz bandwidth
- Backward compatibility with legacy 802.11 ac/n/a/g/b technology.
- 20MHz bandwidth/ channel, 40MHz bandwidth/ channel, upper/ lower 20MHz packets in 40MHz channel, 20MHz duplicate legacy packets in 40MHz channel mode operation.
- 80MHz bandwidth/ channel, 4 positions of 20MHz packets in 80MHz channel, upper/ lower 40MHz packets in 80MHz channel, 20MHz quadruplicate legacy packets in 80MHz channel mode operation.
- Dynamic frequency selection (radar detection)
- Enhanced radar detection for long and short

Bluetooth

- Baseband and radio BDR and EDR packet types – 1Mbps (GFSK), 2Mbps (n/4-DQPSK), and 3Mbps (8DPSK).
- Bluetooth 5.2 support.
- Enhanced Data Rate (EDR) compliant for both 2Mbps and 3Mbps supported.
- High speed UART and PCM for Bluetooth.
- Fully functional Bluetooth baseband-AFH, forward error correction, header error control, access code correlation, CRC, encryption bit

pulse radar.

- Enhanced AGC scheme for DFS channel.
 - 20/40/80Mhz coexistence with middle-packet detection (GI detection) for enhanced CCA.
 - 1 spatial stream STBC reception.
 - LDPC transmission and reception for both 802.11n and 802.11ac.
 - 256 QAM (MCS 8, 9) modulation, optional support for 802.11ac MCS 9 in 20MHz using LDPC.
 - Short guard interval.
 - Temporal Key Integrity Protocol (TKIP)/ Wired Equivalent Privacy (WEP)/ Advanced Encryption Standard (AES)/ Counter-Mode/ CBC-MAC Protocol (CCMP).
 - Cipher-Based Message Authentication Code (CMAC)/ WLAN Authentication and Privacy Infrastructure (WAPI).
 - External Crystal frequenc
- stream generation, and whitening.
- Adaptive Frequency Hopping (AFH) using Packet Error Rate (PER).
 - SCO/ eSCO links with hardware accelerated audio signal processing and hardware supported PPEC algorithm for speech quality improvement.
 - Standard Bluetooth power saving mechanisms.
 - Automatic ACL packet type selection.
 - Full master and slave piconet support.
 - Scatternet support.

- Enhanced Power Control (EPC).
- Channel Quality Driven Data Rate (CQDDR).
- Encryption (AES) support.
- Supports link layer topology to be master and slave (connects up to 16 links).
- LE Privacy 1.2
- LE Secure Connection.
- LE Data Length Extension.
- 2 Mbps LE
- Direction Finding – Connectionless Angle of Departure (AoD).
- Direction Finding – Connection – oriented Angle of Arrival (AoA).

Revision History

Document NO: R2-2358AN-DST-01

Version	Revision Date	DCN NO.	Description	Initials	Approved
A	2021/11/18	DCN024751	● Initial Version	JM.Pang	Chihhao Liao
B	2022/02/08	DCN025423	● 1.3.2 WLAN update ● 1.3.3 Bluetooth update	JM.Pang	Chihhao Liao
C	2022/10/17	DCN027670	● 1.3.2 WLAN update ● 1.3.4 Operating Conditions update	JM.Pang	Chihhao Liao

Table of Contents

Features	2
Revision History	4
Table of Contents	5
1. Introduction	6
1.1 Product Overview	6
1.2 Block Diagram	7
1.3 Specifications Table	8
1.3.1 General	8
1.3.2 WLAN	8
1.3.3 Bluetooth.....	10
1.3.4 Operating Conditions.....	11
2. Pin Definition	12
2.1 Pin Map	12
2.2 Pin Table	13
3. Electrical Characteristics	18
3.1 Absolute Maximum Ratings	18
3.2 Recommended Operating Conditions	18
3.3 Digital IO Pin DC Characteristics	19
3.4 Host Interface	20
3.4.1 SDIO Interface	21
3.4.2 UART Interface	26
3.5 Power up Timing Sequence	28
3.6 Power Consumption*	29
3.6.1 WLAN	29
3.6.2 Bluetooth.....	29
4. Mechanical Information	30
4.1 Mechanical Drawing	30
5. Packaging Information	31

1. Introduction

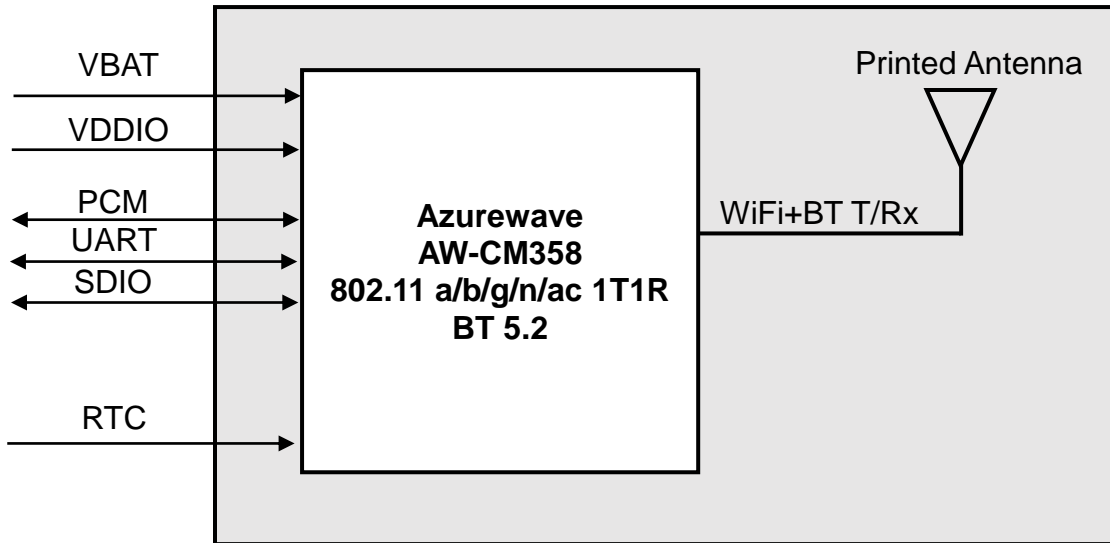
1.1 Product Overview

AzureWave Technologies, Inc. introduces the pioneer of the IEEE 802.11 a/b/g/n/ac WIFI with Bluetooth 5.2 combo SDIO and UART LGA Module --- **AW-CM358AN**. The AW-CM358AN IEEE 802.11 a/b/g/n/ac WIFI with Bluetooth 5.2 combo module is a highly integrated wireless local area network (WLAN) solution to let users enjoy the digital content through the latest wireless technology without using the extra cables and cords. It combines with Bluetooth 4.2 and provides a complete 2.4GHz Bluetooth system which is fully compliant to Bluetooth 4.2 and v2.1 that supports EDR of 2Mbps and 3Mbps for data and audio communications. It enables a high performance, cost effective, low power, compact solution that easily fits onto the SDIO and UART combo LGA module. Generic interfaces include SDIO 3.0 and high-speed UART interfaces for connecting WLAN and Bluetooth technologies to the host processor.

AW-CM358AN uses Direct Sequence Spread Spectrum (DSSS), Orthogonal Frequency Division Multiplexing (OFDM), BPSK, QPSK, CCK and QAM baseband modulation technologies. A high level of integration and full implementation of the power management functions specified in the IEEE 802.11 standard minimize the system power requirements by using AW-CM358AN. In addition to the support of **WPA/WPA2/WPA3** and **WEP** 64-bit and 128-bit encryption, It also supports the **IEEE 802.11i** security standard through the implementation of **Advanced Encryption Standard (AES)/Counter Mode CBC-MAC Protocol (CCMP)**, **AES/Galois/Counter Mode Protocol (GCMP)**, **Wired Equivalent Privacy (WEP)** with Temporal Key Integrity Protocol (**TKIP**), **Advanced Encryption Standard (AES)/Cipher-Based Message Authentication Code (CMAC)**, and **WLAN Authentication and Privacy Infrastructure (WAPI)** security mechanisms. For video, voice, and multimedia applications, 802.11e Quality of Service (QoS) is supported. The device also supports 802.11h Dynamic Frequency Selection (DFS) for detecting radar pulses when operating in the 5 GHz range.

Wireless home audio and video entertainment systems including DVT, set-top boxes, blue-ray DVD players, media servers, and gaming consoles. Mobile routers and Internet of Things (IoT) gateways. AW-CM358AN module adopts NXP's latest highly-integrated WLAN & Bluetooth SoC---**88W8987**. All the other components are implemented by all means to reach the mechanical specification required.

1.2 Block Diagram



AW-CM358AN BLOCK DIAGRAM

1.3 Specifications Table

1.3.1 General

Features	Description
Product Description	IEEE 802.11 a/b/g/n/ac Wi-Fi with Bluetooth 5.2 combo LGA module with Printed Antenna
Major Chipset	NXP 88W8987
Host Interface	Wi-Fi + BT ● SDIO + UART
Dimension	28mm(L) x 18mm(W) x 2.65mm(T)
Form Factor	LGA module, 110 pins
Antenna	1T1R ANT1(Printed Antenna) : Wi-Fi/Bluetooth → TX/RX
Weight	TBD

1.3.2 WLAN

Features	Description
WLAN Standard	IEEE 802.11a/b/g/n/ac 1T1R
WLAN VID/PID	N/A
WLAN SVID/SPID	N/A
Frequency Range	WLAN: 2.4 GHz / 5GHz Band
Modulation	DSSS DBPSK(1Mbps), DQPSK(2Mbps), CCK(11/5.5Mbps) OFDM BPSK(9/6Mbps/MCS0), QPSK(18/12Mbps/MCS1~2), 16-QAM(36/24Mbps/MCS3~4), 64-QAM(72.2/54/48Mbps/MCS5~7), 256-QAM(MCS8~9)
Number of Channels	802.11b: USA, Canada and Taiwan – 1 ~ 11 Most European Countries – 1 ~ 13 Japan – 1 ~ 13 802.11g: USA and Canada – 1 ~ 11

	Most European Countries – 1 ~ 13 802.11n: USA and Canada – 1 ~ 11 Most European Countries – 1 ~ 13 802.11a: USA – 36, 40, 44, 48, 52, 56, 60, 64, 100, 104, 108, 112, 116, 120, 124, 128, 132, 136, 140, 149, 153, 157, 161, 165																																			
Output Power	2.4G <table border="1"> <thead> <tr> <th></th> <th>Min</th> <th>Typ</th> <th>Max</th> <th>Unit</th> </tr> </thead> <tbody> <tr> <td>11b (11Mbps) @EVM<35%</td> <td>14</td> <td>16</td> <td>18</td> <td>dBm</td> </tr> <tr> <td>11g (54Mbps) @EVM ≤ -25 dB</td> <td>12</td> <td>14</td> <td>16</td> <td>dBm</td> </tr> <tr> <td>11n (HT20 MCS7) @EVM ≤ -27 dB</td> <td>11</td> <td>13</td> <td>15</td> <td>dBm</td> </tr> <tr> <td>11n (HT40 MCS7) @EVM ≤ -27 dB</td> <td>10</td> <td>12</td> <td>14</td> <td>dBm</td> </tr> </tbody> </table>		Min	Typ	Max	Unit	11b (11Mbps) @EVM<35%	14	16	18	dBm	11g (54Mbps) @EVM ≤ -25 dB	12	14	16	dBm	11n (HT20 MCS7) @EVM ≤ -27 dB	11	13	15	dBm	11n (HT40 MCS7) @EVM ≤ -27 dB	10	12	14	dBm										
		Min	Typ	Max	Unit																															
	11b (11Mbps) @EVM<35%	14	16	18	dBm																															
	11g (54Mbps) @EVM ≤ -25 dB	12	14	16	dBm																															
	11n (HT20 MCS7) @EVM ≤ -27 dB	11	13	15	dBm																															
	11n (HT40 MCS7) @EVM ≤ -27 dB	10	12	14	dBm																															
	5G <table border="1"> <thead> <tr> <th></th> <th>Min</th> <th>Typ</th> <th>Max</th> <th>Unit</th> </tr> </thead> <tbody> <tr> <td>11a (54Mbps) @EVM ≤ -25 dB</td> <td>11</td> <td>13</td> <td>15</td> <td>dBm</td> </tr> <tr> <td>11n (HT20 MCS7) @EVM ≤ -27 dB</td> <td>8</td> <td>10</td> <td>12</td> <td>dBm</td> </tr> <tr> <td>11n (HT40 MCS7) @EVM ≤ -27 dB</td> <td>8</td> <td>10</td> <td>12</td> <td>dBm</td> </tr> <tr> <td>11ac (VHT20 MCS8) @EVM ≤ -30 dB</td> <td>8</td> <td>10</td> <td>12</td> <td>dBm</td> </tr> <tr> <td>11ac (VHT40 MCS9) @EVM ≤ -32 dB</td> <td>7</td> <td>9</td> <td>11</td> <td>dBm</td> </tr> <tr> <td>11ac (VHT80 MCS9) @EVM ≤ -32 dB</td> <td>6</td> <td>8</td> <td>10</td> <td>dBm</td> </tr> </tbody> </table>		Min	Typ	Max	Unit	11a (54Mbps) @EVM ≤ -25 dB	11	13	15	dBm	11n (HT20 MCS7) @EVM ≤ -27 dB	8	10	12	dBm	11n (HT40 MCS7) @EVM ≤ -27 dB	8	10	12	dBm	11ac (VHT20 MCS8) @EVM ≤ -30 dB	8	10	12	dBm	11ac (VHT40 MCS9) @EVM ≤ -32 dB	7	9	11	dBm	11ac (VHT80 MCS9) @EVM ≤ -32 dB	6	8	10	dBm
		Min	Typ	Max	Unit																															
	11a (54Mbps) @EVM ≤ -25 dB	11	13	15	dBm																															
	11n (HT20 MCS7) @EVM ≤ -27 dB	8	10	12	dBm																															
	11n (HT40 MCS7) @EVM ≤ -27 dB	8	10	12	dBm																															
	11ac (VHT20 MCS8) @EVM ≤ -30 dB	8	10	12	dBm																															
	11ac (VHT40 MCS9) @EVM ≤ -32 dB	7	9	11	dBm																															
	11ac (VHT80 MCS9) @EVM ≤ -32 dB	6	8	10	dBm																															
	2.4G <table border="1"> <thead> <tr> <th></th> <th>Min</th> <th>Typ</th> <th>Max</th> <th>Unit</th> </tr> </thead> <tbody> <tr> <td>11b (11Mbps)</td> <td></td> <td>-87</td> <td>-84</td> <td>dBm</td> </tr> <tr> <td>11g (54Mbps)</td> <td></td> <td>-73</td> <td>-70</td> <td>dBm</td> </tr> <tr> <td>11n (HT20 MCS7)</td> <td></td> <td>-69</td> <td>-66</td> <td>dBm</td> </tr> <tr> <td>11n (HT40 MCS7)</td> <td></td> <td>-67</td> <td>-64</td> <td>dBm</td> </tr> </tbody> </table>		Min	Typ	Max	Unit	11b (11Mbps)		-87	-84	dBm	11g (54Mbps)		-73	-70	dBm	11n (HT20 MCS7)		-69	-66	dBm	11n (HT40 MCS7)		-67	-64	dBm										
	Min	Typ	Max	Unit																																
11b (11Mbps)		-87	-84	dBm																																
11g (54Mbps)		-73	-70	dBm																																
11n (HT20 MCS7)		-69	-66	dBm																																
11n (HT40 MCS7)		-67	-64	dBm																																
5G(n/ac packets with LDPC) <table border="1"> <thead> <tr> <th></th> <th>Min</th> <th>Typ</th> <th>Max</th> <th>Unit</th> </tr> </thead> <tbody> <tr> <td>11a (54Mbps)</td> <td></td> <td>-71</td> <td>-68</td> <td>dBm</td> </tr> <tr> <td>11n (HT20 MCS7)</td> <td></td> <td>-67</td> <td>-64</td> <td>dBm</td> </tr> <tr> <td>11n (HT40 MCS7)</td> <td></td> <td>-63</td> <td>-60</td> <td>dBm</td> </tr> </tbody> </table>		Min	Typ	Max	Unit	11a (54Mbps)		-71	-68	dBm	11n (HT20 MCS7)		-67	-64	dBm	11n (HT40 MCS7)		-63	-60	dBm																
	Min	Typ	Max	Unit																																
11a (54Mbps)		-71	-68	dBm																																
11n (HT20 MCS7)		-67	-64	dBm																																
11n (HT40 MCS7)		-63	-60	dBm																																
Receiver Sensitivity	2.4G <table border="1"> <thead> <tr> <th></th> <th>Min</th> <th>Typ</th> <th>Max</th> <th>Unit</th> </tr> </thead> <tbody> <tr> <td>11b (11Mbps)</td> <td></td> <td>-87</td> <td>-84</td> <td>dBm</td> </tr> <tr> <td>11g (54Mbps)</td> <td></td> <td>-73</td> <td>-70</td> <td>dBm</td> </tr> <tr> <td>11n (HT20 MCS7)</td> <td></td> <td>-69</td> <td>-66</td> <td>dBm</td> </tr> <tr> <td>11n (HT40 MCS7)</td> <td></td> <td>-67</td> <td>-64</td> <td>dBm</td> </tr> </tbody> </table>		Min	Typ	Max	Unit	11b (11Mbps)		-87	-84	dBm	11g (54Mbps)		-73	-70	dBm	11n (HT20 MCS7)		-69	-66	dBm	11n (HT40 MCS7)		-67	-64	dBm										
		Min	Typ	Max	Unit																															
	11b (11Mbps)		-87	-84	dBm																															
	11g (54Mbps)		-73	-70	dBm																															
	11n (HT20 MCS7)		-69	-66	dBm																															
11n (HT40 MCS7)		-67	-64	dBm																																
5G(n/ac packets with LDPC) <table border="1"> <thead> <tr> <th></th> <th>Min</th> <th>Typ</th> <th>Max</th> <th>Unit</th> </tr> </thead> <tbody> <tr> <td>11a (54Mbps)</td> <td></td> <td>-71</td> <td>-68</td> <td>dBm</td> </tr> <tr> <td>11n (HT20 MCS7)</td> <td></td> <td>-67</td> <td>-64</td> <td>dBm</td> </tr> <tr> <td>11n (HT40 MCS7)</td> <td></td> <td>-63</td> <td>-60</td> <td>dBm</td> </tr> </tbody> </table>		Min	Typ	Max	Unit	11a (54Mbps)		-71	-68	dBm	11n (HT20 MCS7)		-67	-64	dBm	11n (HT40 MCS7)		-63	-60	dBm																
	Min	Typ	Max	Unit																																
11a (54Mbps)		-71	-68	dBm																																
11n (HT20 MCS7)		-67	-64	dBm																																
11n (HT40 MCS7)		-63	-60	dBm																																
2.4G <table border="1"> <thead> <tr> <th></th> <th>Min</th> <th>Typ</th> <th>Max</th> <th>Unit</th> </tr> </thead> <tbody> <tr> <td>11b (11Mbps)</td> <td></td> <td>-87</td> <td>-84</td> <td>dBm</td> </tr> <tr> <td>11g (54Mbps)</td> <td></td> <td>-73</td> <td>-70</td> <td>dBm</td> </tr> <tr> <td>11n (HT20 MCS7)</td> <td></td> <td>-69</td> <td>-66</td> <td>dBm</td> </tr> <tr> <td>11n (HT40 MCS7)</td> <td></td> <td>-67</td> <td>-64</td> <td>dBm</td> </tr> </tbody> </table>		Min	Typ	Max	Unit	11b (11Mbps)		-87	-84	dBm	11g (54Mbps)		-73	-70	dBm	11n (HT20 MCS7)		-69	-66	dBm	11n (HT40 MCS7)		-67	-64	dBm											
	Min	Typ	Max	Unit																																
11b (11Mbps)		-87	-84	dBm																																
11g (54Mbps)		-73	-70	dBm																																
11n (HT20 MCS7)		-69	-66	dBm																																
11n (HT40 MCS7)		-67	-64	dBm																																
5G(n/ac packets with LDPC) <table border="1"> <thead> <tr> <th></th> <th>Min</th> <th>Typ</th> <th>Max</th> <th>Unit</th> </tr> </thead> <tbody> <tr> <td>11a (54Mbps)</td> <td></td> <td>-71</td> <td>-68</td> <td>dBm</td> </tr> <tr> <td>11n (HT20 MCS7)</td> <td></td> <td>-67</td> <td>-64</td> <td>dBm</td> </tr> <tr> <td>11n (HT40 MCS7)</td> <td></td> <td>-63</td> <td>-60</td> <td>dBm</td> </tr> </tbody> </table>		Min	Typ	Max	Unit	11a (54Mbps)		-71	-68	dBm	11n (HT20 MCS7)		-67	-64	dBm	11n (HT40 MCS7)		-63	-60	dBm																
	Min	Typ	Max	Unit																																
11a (54Mbps)		-71	-68	dBm																																
11n (HT20 MCS7)		-67	-64	dBm																																
11n (HT40 MCS7)		-63	-60	dBm																																
2.4G <table border="1"> <thead> <tr> <th></th> <th>Min</th> <th>Typ</th> <th>Max</th> <th>Unit</th> </tr> </thead> <tbody> <tr> <td>11b (11Mbps)</td> <td></td> <td>-87</td> <td>-84</td> <td>dBm</td> </tr> <tr> <td>11g (54Mbps)</td> <td></td> <td>-73</td> <td>-70</td> <td>dBm</td> </tr> <tr> <td>11n (HT20 MCS7)</td> <td></td> <td>-69</td> <td>-66</td> <td>dBm</td> </tr> <tr> <td>11n (HT40 MCS7)</td> <td></td> <td>-67</td> <td>-64</td> <td>dBm</td> </tr> </tbody> </table>		Min	Typ	Max	Unit	11b (11Mbps)		-87	-84	dBm	11g (54Mbps)		-73	-70	dBm	11n (HT20 MCS7)		-69	-66	dBm	11n (HT40 MCS7)		-67	-64	dBm											
	Min	Typ	Max	Unit																																
11b (11Mbps)		-87	-84	dBm																																
11g (54Mbps)		-73	-70	dBm																																
11n (HT20 MCS7)		-69	-66	dBm																																
11n (HT40 MCS7)		-67	-64	dBm																																

	11ac (VHT20 MCS8)		-67	-64	dBm
	11ac (VHT40 MCS9)		-59	-56	dBm
	11ac (VHT80 MCS9)		-55	-52	dBm
Data Rate	802.11b: 1, 2, 5.5, 11Mbps 802.11g: 6, 9, 12, 18, 24, 36, 48, 54Mbps 802.11n: MCS0~7 HT20/HT40 802.11a: 6, 9, 12, 18, 24, 36, 48, 54Mbps 802.11ac: MCS0~8 VHT20 802.11ac: MCS0~9 VHT40/VHT80				
Security	<ul style="list-style-type: none"> ● WPA™- and WPA2™- (Personal) support for powerful encryption and authentication ● AES and TKIP acceleration hardware for faster data encryption and 802.11i compatibility ● Wi-Fi Protected Setup (WPS) ● WEP ● CKIP(Software) ● WPA3 				

* If you have any certification questions about output power please contact FAE directly.

1.3.3 Bluetooth

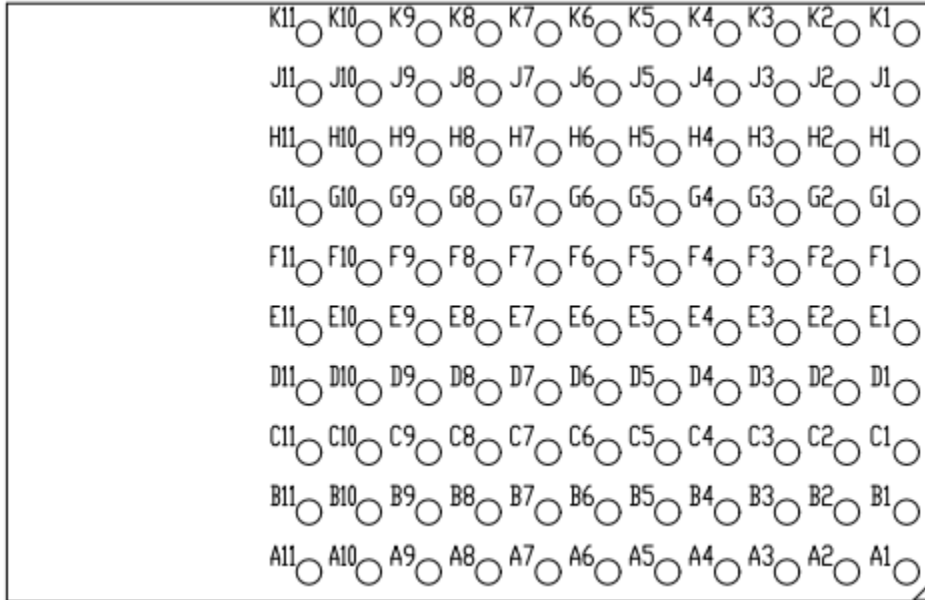
Features	Description				
Bluetooth Standard	Bluetooth 2.1+Enhanced Data Rate (EDR)/BT3.0/BT4.2/BT5.0				
Bluetooth VID/PID	N/A				
Frequency Range	2400~2483.5MHz				
Modulation	GFSK (1Mbps), Π/4DQPSK (2Mbps) and 8DPSK (3Mbps)				
Output Power		Min	Typ	Max	Unit
	BDR	0	2	4	dBm
	EDR	0	2	4	dBm
	LE	0	2	4	dBm
Receiver Sensitivity		Min	Typ	Max	Unit
	DH5		-88	-84	dBm
	2DH5		-88	-84	dBm
	3DH5		-80	-76	dBm
	LE		-88	-84	dBm

1.3.4 Operating Conditions

Features	Description
Operating Conditions	
Voltage	VBAT: 3.07~3.53V VIO : 1.8V
Operating Temperature	-30°C ~85°C
Operating Humidity	less than 85% R.H.
Storage Temperature	-40°C ~90°C
Storage Humidity	less than 60% R.H.
ESD Protection	
Human Body Model	±2KV per MIL-STD-883H Method 3015.8
Changed Device Model	±500V per JEDEC EIA/JESD22-C101E

2. Pin Definition

2.1 Pin Map



AW-CM358AN Top View Pin Map

2.2 Pin Table

Pin No	Definition	Basic Description	Voltage	Type
A1	GND	Ground.		GND
A2	SDIO_DATA1	SDIO Data Line 1.	VDDIO	I/O
A3	SDIO_DATA0	SDIO Data Line 0.	VDDIO	I/O
A4	SDIO_DATA_CLK	SDIO Clock Input.	VDDIO	I
A5	SDIO_DATA_CMD	SDIO Command Input.	VDDIO	I/O
A6	SDIO_DATA3	SDIO Data Line 3.	VDDIO	I/O
A7	SDIO_DATA2	SDIO Data Line 2.	VDDIO	I/O
A8	WL_HOST_WAKE	WLAN to wake-up HOST		O
A9	PDn	Power up/ down internal regulators. 0 = full power-down mode 1 = normal mode Default pull high in module internal		I
A10	VBAT	3.3V power pin	3.3V	VCC
A11	VBAT	3.3V power pin	3.3V	VCC
B1	VIN_LDO_OUT	Switch Node of Internal DC-DC convertor	1.8V	VCC
B2	VIN_LDO_OUT	Switch Node of Internal DC-DC convertor	1.8V	VCC
B3	GND	Ground.		GND
B4	GND	Ground.		GND
B5	GND	Ground.		GND
B6	GND	Ground.		GND
B7	GND	Ground.		GND
B8	GND	Ground.		GND
B9	NC	Floating Pin, No connect to anything		Floating
B10	GND	Ground.		GND
B11	GND	Ground.		GND

C1	VIN_LDO	DC-DC convertor to supply AVDD18 of IC	1.8V	VCC
C2	VIN_LDO	DC-DC convertor to supply AVDD18 of IC	1.8V	VCC
C3	GND	Ground.		GND
C4	GND	Ground.		GND
C5	GND	Ground.		GND
C6	GND	Ground.		GND
C7	GND	Ground.		GND
C8	GND	Ground.		GND
C9	GND	Ground.		GND
C10	GND	Ground.		GND
C11	GND	Ground.		GND
D1	GND	Ground.		GND
D2	GND	Ground.		GND
D3	GND	Ground.		GND
D4	GND	Ground.		GND
D5	GND	Ground.		GND
D6	GND	Ground.		GND
D7	GND	Ground.		GND
D8	GND	Ground.		GND
D9	GND	Ground.		GND
D10	GND	Ground.		GND
D11	GND	Ground.		GND
E1	SUSCLK_IN	External 32K or RTC clock		I
E2	GND	Ground.		GND
E3	GND	Ground.		GND
E4	GND	Ground.		GND

E5	GND	Ground.		GND
E6	GND	Ground.		GND
E7	GND	Ground.		GND
E8	GND	Ground.		GND
E9	GND	Ground.		GND
E10	GND	Ground.		GND
E11	GND	Ground.		GND
F1	BT_PCM_OUT	PCM data out		O
F2	NC	Floating Pin, No connect to anything		Floating
F3	GND	Ground.		GND
F4	GND	Ground.		GND
F5	GND	Ground.		GND
F6	GND	Ground.		GND
F7	GND	Ground.		GND
F8	GND	Ground.		GND
F9	GND	Ground.		GND
F10	GND	Ground.		GND
F11	GND	Ground.		GND
G1	BT_PCM_CLK	PCM Clock		I/O
G2	NC	Floating Pin, No connect to anything		Floating
G3	GND	Ground.		GND
G4	GND	Ground.		GND
G5	GND	Ground.		GND
G6	GND	Ground.		GND
G7	GND	Ground.		GND
G8	GND	Ground.		GND

G9	GND	Ground.		GND
G10	GND	Ground.		GND
G11	GND	Ground.		GND
H1	BT_PCM_IN	PCM data Input		I
H2	GND	Ground.		GND
H3	GND	Ground.		GND
H4	GND	Ground.		GND
H5	GND	Ground.		GND
H6	GND	Ground.		GND
H7	GND	Ground.		GND
H8	GND	Ground.		GND
H9	GND	Ground.		GND
H10	GND	Ground.		GND
H11	GND	Ground.		GND
J1	BT_PCM_SYNC	PCM Synchronization control		O
J2	GND	Ground.		GND
J3	HOST_WL_WAKE	Host wake-up WLAN device		Floating
J4	NC	Floating Pin, No connect to anything		Floating
J5	NC	Floating Pin, No connect to anything		Floating
J6	NC	Floating Pin, No connect to anything		Floating
J7	NC	Floating Pin, No connect to anything		Floating
J8	NC	Floating Pin, No connect to anything		Floating
J9	BT_WAKE_HOST	Bluetooth device to wake-up Host		O
J10	GND	Ground.		GND
J11	GND	Ground.		GND
K1	GND	Ground.		GND

K2	VDDIO	1.8V VDDIO supply for WLAN and Bluetooth	1.8V	VCC
K3	NC	Floating Pin, No connect to anything		Floating
K4	HOST_WAKE_BT	Host wake-up Bluetooth device		I
K5	NC	Floating Pin, No connect to anything		Floating
K6	UART_RTS_N	High-Speed UART RTS		O
K7	UART_TXD	High-Speed UART Data Out		O
K8	UART_RXD	High-Speed UART Data In		I
K9	UART_CTS_N	High-Speed UART CTS		I
K10	GND	Ground.		GND
K11	GND	Ground.		GND

3. Electrical Characteristics

3.1 Absolute Maximum Ratings

Symbol	Parameter	Minimum	Typical	Maximum	Unit
VBAT	DC supply for the 3.3V input	2.5	3.3	4.0	V
VDDIO	DC supply voltage for digital I/O		1.8	2.2	V

3.2 Recommended Operating Conditions

Symbol	Parameter	Minimum	Typical	Maximum	Unit
VBAT	DC supply for the 3.3V input	3.07	3.3	3.53	V
VDDIO	DC supply voltage for digital I/O	1.67	1.8	1.98	V

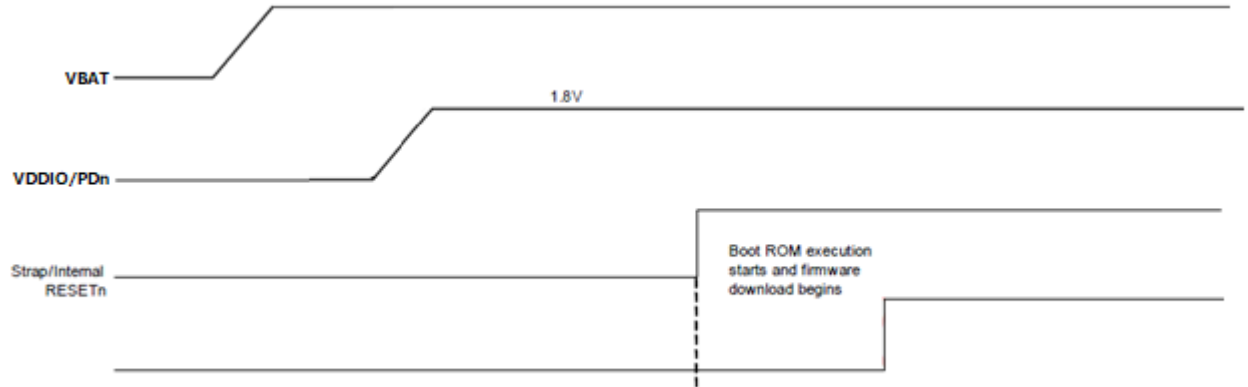
3.3 Digital IO Pin DC Characteristics

Symbol	Parameter	Minimum	Typical	Maximum	Unit
Digital I/O pins, VDDIO=1.8V					
V _{IH}	Input high voltage	1.26	-	2.2	V
V _{IL}	Input low voltage	-0.4	-	0.54	V
V _{OH}	Output high voltage	1.4	-	-	V
V _{OL}	Output Low Voltage	-	-	0.4	V

3.4 Host Interface

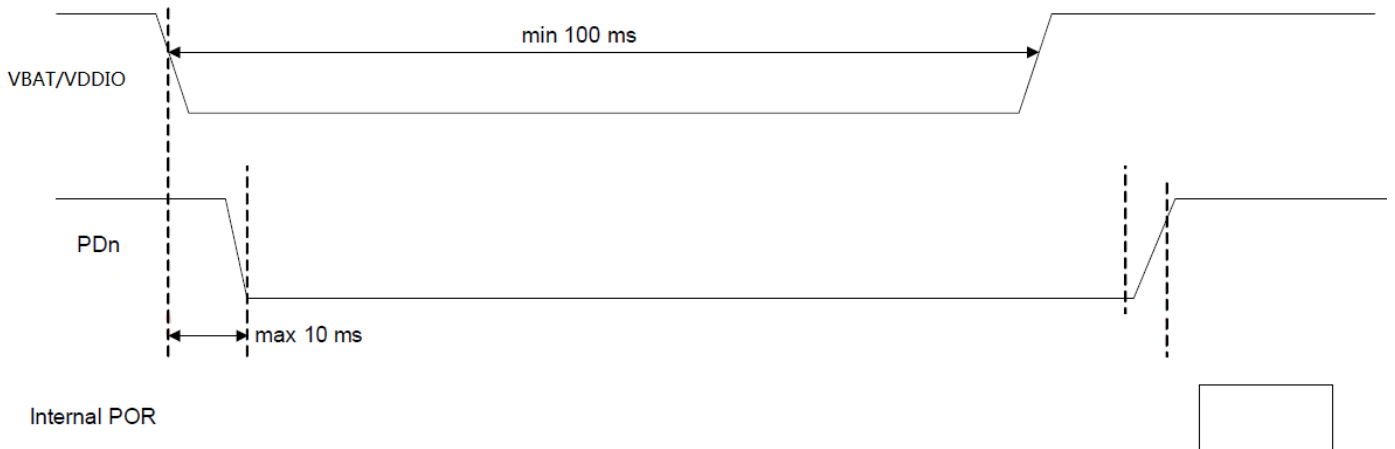
Power-up Sequence

VDDIO/PdN no specific time requirement, just need to follow up the power on sequence waveform.



Power-down Sequence

The table is AW-CM358AN module power down sequence, the maximum ramp-down time for PDn from VBAT assertion is 10ms. VBAT must be asserted a minimum of 100 ms to guarantee that PDn are discharged to less than 0.2V for the POR generate properly after VBAT is deasserted.



3.4.1 SDIO Interface

The AW-CM358AN supports a SDIO device interface that conforms to the industry SDIO Full-Speed card specification and allows a host controller using the SDIO bus protocol to access the Wireless SoC device.

The AW-CM358AN acts as the device on the SDIO bus. The host unit can access registers of the SDIO interface directly and can access shared memory in the device through the use of BARs and a DMA engine.

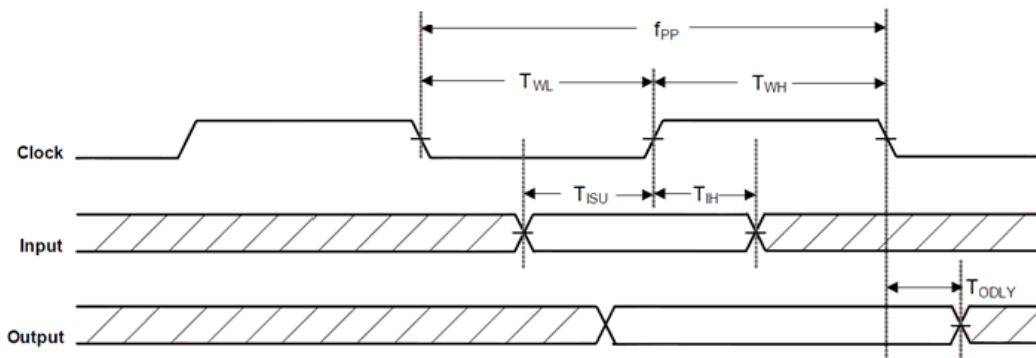
- ◆ Support SDIO 3.0 Standard.
- ◆ On-chip memory used for CIS.
- ◆ Supports 4-bit SDIO and 1-bit SDIO transfer modes.
- ◆ Special interrupt register for information exchange.

SDIO Interface Signals

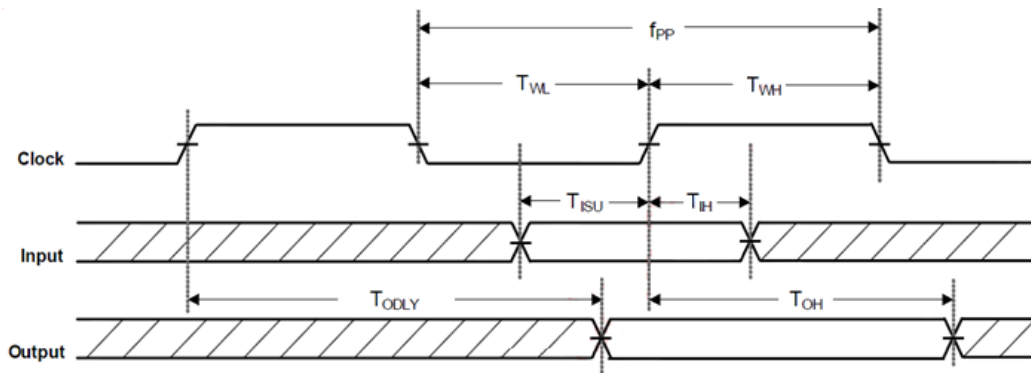
AW-CM358AN SDIO Pin Name	Type	Description
SDIO_DATA_CLK	I	SDIO 4-bit mode: Clock SDIO 1-bit mode: Clock
SDIO_DATA_CMD	I/O	SDIO 4-bit mode: Command line SDIO 1-bit mode: Command line
SDIO_DATA_3	I/O	SDIO 4-bit mode: Data line Bit[3] SDIO 1-bit mode: Not used
SDIO_DATA_2	I/O	SDIO 4-bit mode: Data line Bit[2] or Read Wait (optional) SDIO 1-bit mode: Read Wait (optional)
SDIO_DATA_1	I/O	SDIO 4-bit mode: Data line Bit[1] SDIO 1-bit mode: Interrupt
SDIO_DATA_0	I/O	SDIO 4-bit mode: Data line Bit[0] SDIO 1-bit mode: Data line

Default Speed, High-Speed Modes

SDIO Protocol Timing Diagram – Default Speed Mode



SDIO Protocol Timing Diagram – High Speed Mode

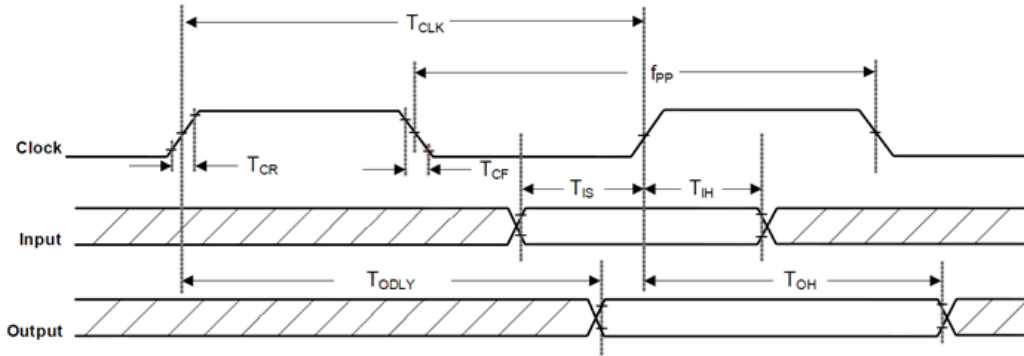


SDIO Timing Data- Default Speed, High-Speed Modes

Symbol	Parameter	Condition	Min	Max	Units
f_{pp}	CLK Frequency	Normal	0	25	MHz
		High Speed	0	50	
t_{WL}	CLK low Time	Normal	10	-	
		High Speed	7	-	
t_{WH}	CLK High Time	Normal	10	-	
		High Speed	7	-	
t_{ISU}	Input Setup Time	Normal	5	-	
		High Speed	6	-	
t_{IH}	Input Hold Time	Normal	5	-	
		High Speed	2	-	
t_{ODLY}	Output Delay Time	Normal	-	14	
		High Speed	-	14	
T_{OH}	Output hold time	High Speed	2.5		

1. For SDIO 2.0 running at 50MHz clock frequency, only 1.8V is supported.
2. For SDIO 2.0 running at 25MHz clock frequency, 1.8V is supported.

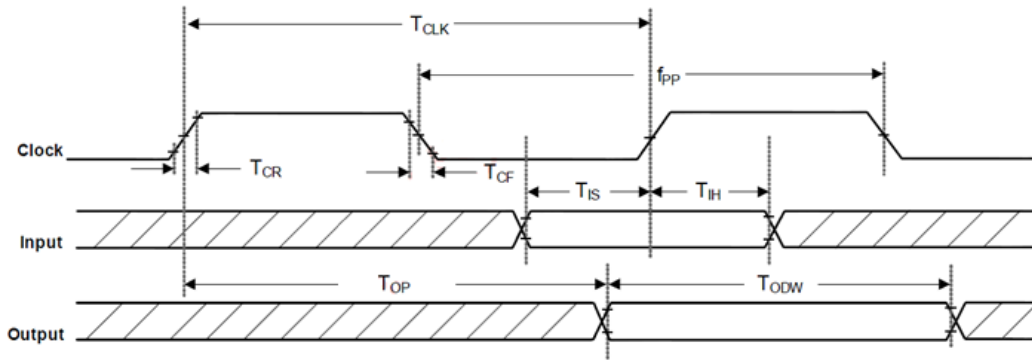
SDIO Protocol Timing Diagram – SDR12, SDR25, SDR50 Modes (up to 100MHz) (1.8V)



SDIO Timing Data- SDR12, SDR25, SDR50 Modes (up to 100MHz) (1.8V)

Symbol	Parameter	Condition	Min	Typ	Max	Units
f_{PP}	CLK Frequency	SDR12/25/50	25	-	100	MHz
T_{IS}	Input setup time	SDR12/25/50	3	-	-	ns
T_{IH}	Input hold time	SDR12/25/50	0.8	-	-	ns
T_{CLK}	Clock time	SDR12/25/50	10	-	40	ns
T_{CR}, T_{CF}	Rise time, fall time	SDR12/25/50	-	-	$0.2 * T_{CLK}$	ns
T_{ODLY}	Output delay time	SDR12/25/50	-	-	7.5	ns
T_{OH}	Output hold time	SDR12/25/50	1.5	-	-	ns

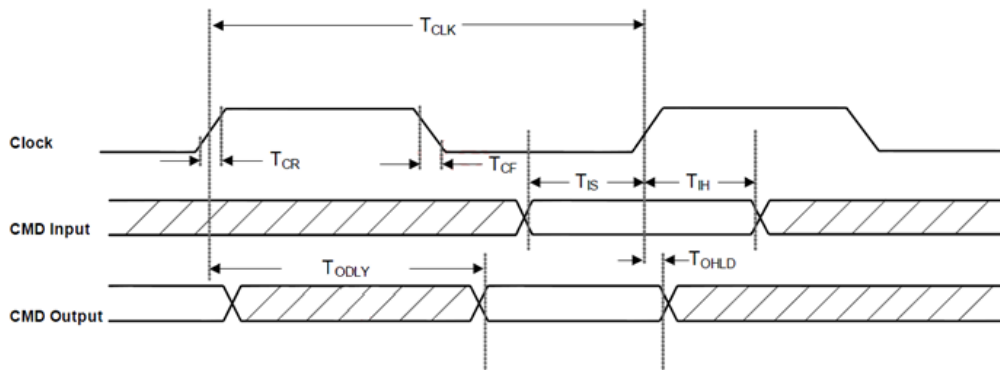
SDIO Protocol Timing Diagram – SDR104 Mode (208MHz)



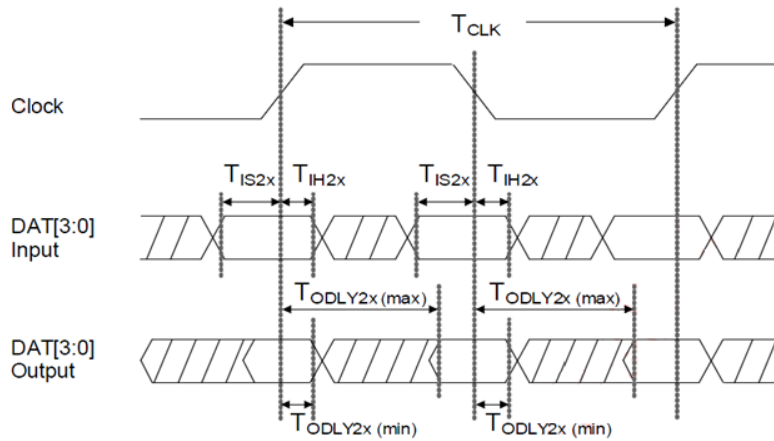
SDIO Timing Data- SDR104 Mode (208MHz)

Symbol	Parameter	Condition	Min	Typ	Max	Units
f_{pp}	CLK Frequency	SDR104	0	-	208	MHz
T_{IS}	Input setup time	SDR104	1.4	-	-	ns
T_{IH}	Input hold time	SDR104	0.8	-	-	ns
T_{CLK}	Clock time	SDR104	4.8	-	-	ns
T_{CR}, T_{CF}	Rise time, fall time	SDR104	-	-	$0.2 * T_{CLK}$	ns
T_{ODLY}	Output delay time	SDR104	0	-	10	ns
T_{OH}	Output hold time	SDR104	2.88	-	-	ns

SDIO CMD Timing Diagram – DDR50 Mode (50MHz)



SDIO SAT [3:0] Timing Diagram – SDR50 Mode (50MHz)



SDIO Timing Data- DDR50 Mode (50MHz)

Symbol	Parameter	Condition	Min	Typ	Max	Units
Clock						
T_{CLK}	Clock time	DDR50	20	-	-	ns
T_{CR}, T_{CF}	Rise time, fall time	DDR50	-	-	$0.2 * T_{CLK}$	Ns
Clock Duty		DDR50	45	-	55	%
CMD Input						
T_{IS}	Input setup time	DDR50	6	-	-	ns
T_{IH}	Input hold time	DDR50	0.8	-	-	ns
CMD Output						
T_{ODLY}	Output delay time during data transfer mode	DDR50	-	-	13.7	ns
T_{OHLd}	Output hold time	DDR50	1.5	-	-	ns
DAT [3:0] Input						
T_{IS2X}	Input hold time	DDR50	3	-	-	ns
T_{IH2X}	Input hold time	DDR50	0.8	-	-	ns
DAT [3:0] Output						
$T_{ODLY2X(max)}$	Output delay time during data transfer mode	DDR50	-	-	7	ns
$T_{ODLY2X(min)}$	Output hold time	DDR50	1.5	-	-	ns

3.4.2 UART Interface

High-Speed UART interface

The AW-CM358AN supports a high-speed Universal Asynchronous Receiver/ Transmitter (UART) interface, compliant to the industry standard 16550 specification.

- ◆ FIFO mode permanently selected for transmit and receive operations.
- ◆ 2 pins for transmit and receive operations.
- ◆ 2 flow control pins.
- ◆ Interrupt triggers for low-power, internal CPU (for debug purposes).
- ◆ Support diagnostic tests.
- ◆ Support data input/ output operations for peripheral devices connected through a standard UART interface.

UART Interface Signals

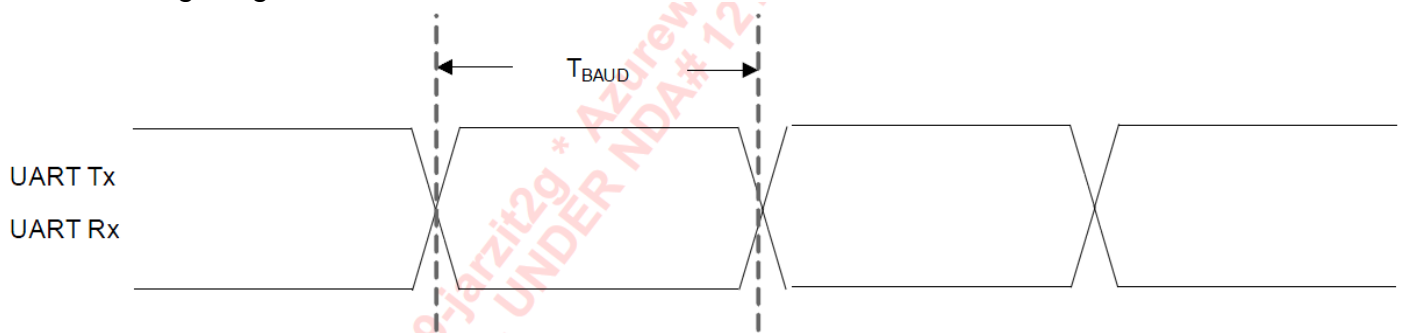
Pin Number	Signal Name	16550 Standard Name	Type	Description
K7	UART_TXD	SOUT	O	Serial data
K8	UART_RXD	SIN	I	Serial data
K9	UART_CTSn	CTS _n	I	Clear To Send
K6	UART_RTSn	RTS _n	O	Request To Send

UART Baud Rates Supported

Baud Rate				
1200	38400	460800	1500000	3000000
2400	57600	500000	1843200	3250000
4800	76800	921600	2000000	3692300
9600	115200	1000000	2100000	4000000
19200	230400	1382400	2764800	-

The UART Tx and Rx pins are powered from the VDDIO voltage supply.

UART Timing Diagram



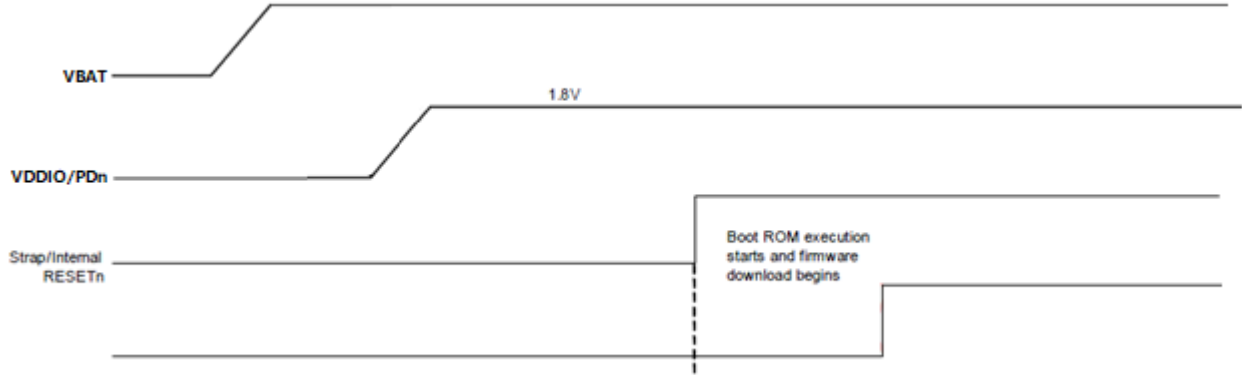
UART Timing Data

Symbol	Parameter	Condition	Min	Typ	Max	Units
TBAUD	Baud rate	38.4MHz input clock	250	-	-	ns

3.5 Power up Timing Sequence

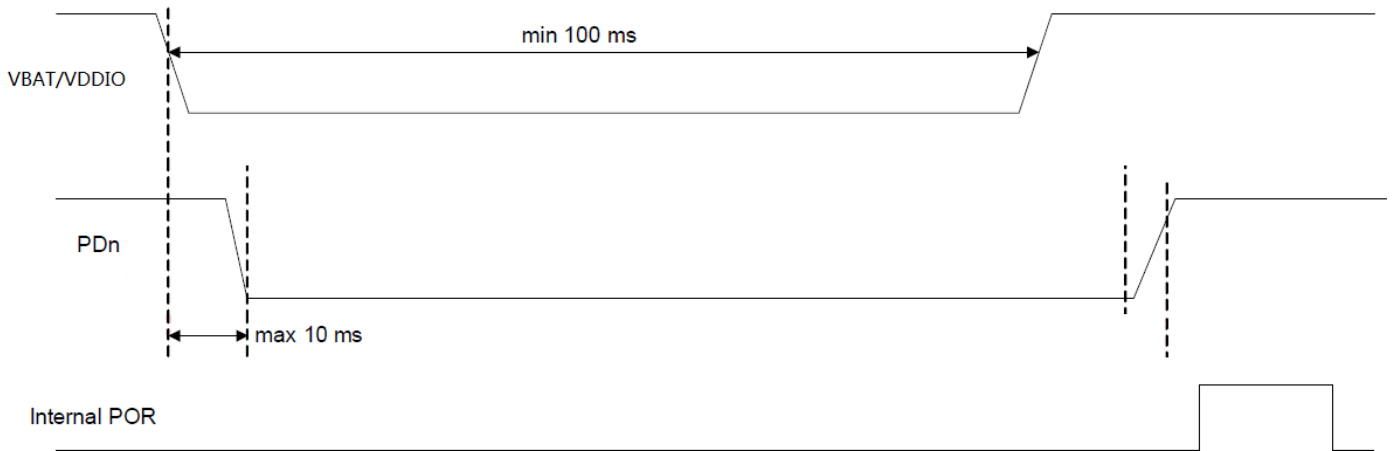
Power-up Sequence

VDDIO/PDn no specific time requirement, just need to follow up the power on sequence waveform.



Power-down Sequence

The table is AW-CM358AN module power down sequence, the maximum ramp-down time for PDn from VBAT assertion is 10ms. VBAT must be asserted a minimum of 100 ms to guarantee that PDn are discharged to less than 0.2V for the POR generate properly after VBAT is deasserted.



3.6 Power Consumption*

3.6.1 WLAN

TBD

* The power consumption is based on Azurewave test environment, these data for reference only.

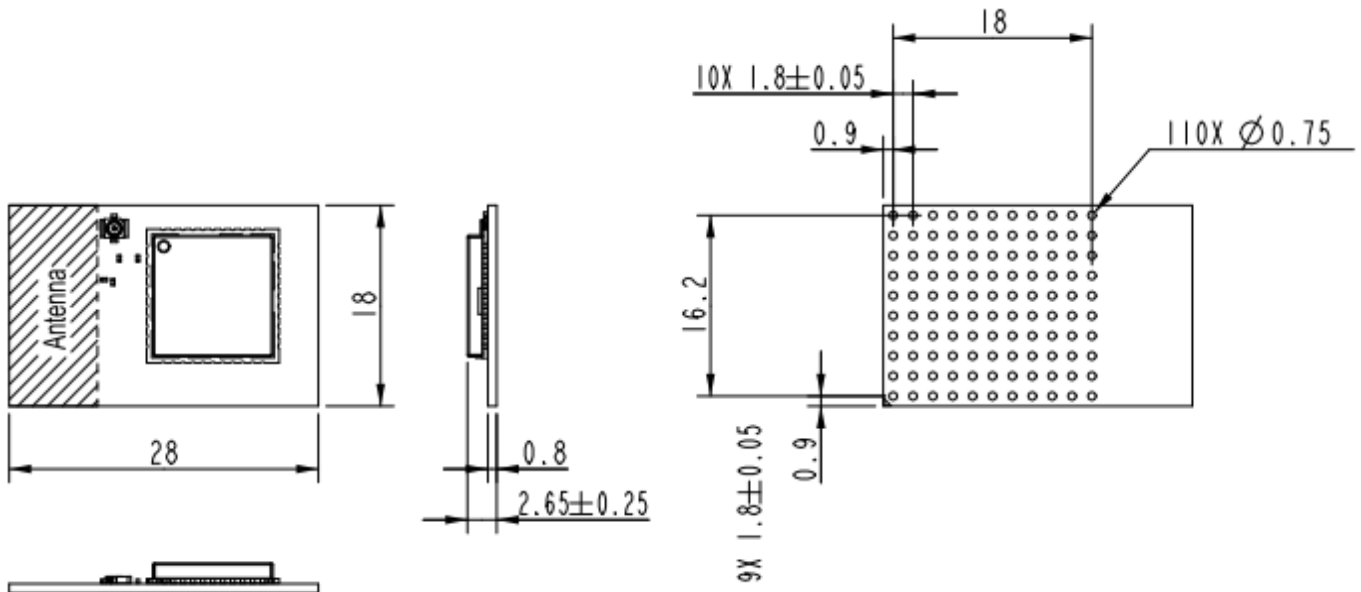
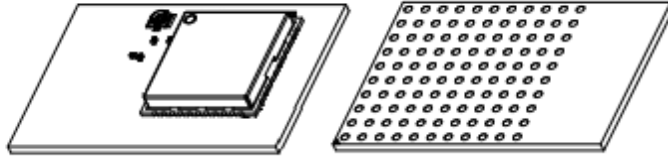
3.6.2 Bluetooth

TBD

* The power consumption is based on Azurewave test environment, these data for reference only.

4. Mechanical Information

4.1 Mechanical Drawing

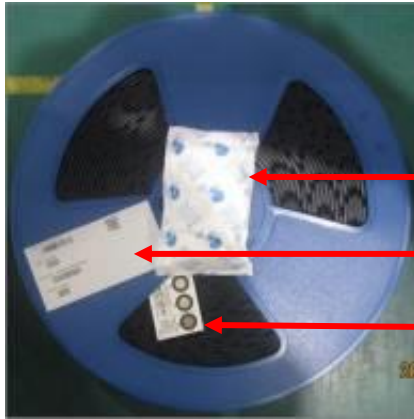


TOLERANCE UNLESS OTHERWISE SPECIFIED: ±0.1mm

5. Packaging Information

1. One Tape reel = 1 Box = 750 pcs
Carton = 3 Boxes = 2,250 pcs

2. One production label is pasted on the reel, one desiccant and one humidity indicator card are put on the reel

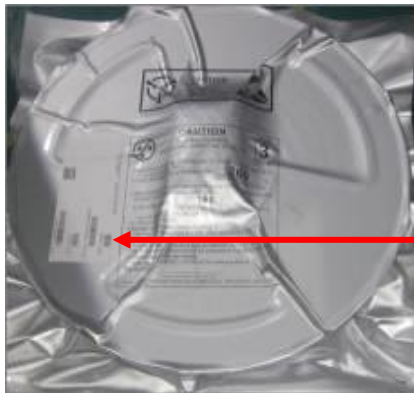


One desiccant

One production label

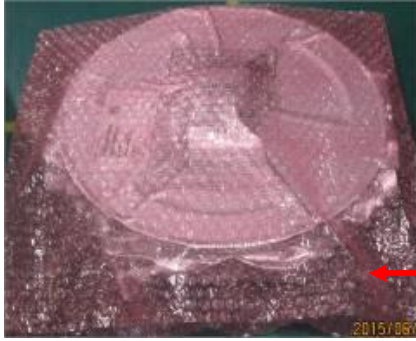
One humidity indicator card

3. One reel is put into the anti-static moisture barrier bag, and then one label is pasted on the bag



One production label

4. A bag is put into the anti-static pink bubble wrap



← One anti-static pink bubble wrap

5. A bubble wrap is put into the inner box and then one label is pasted on the inner box



生產標籤
Production label

← One production label

6. **3 inner boxes** could be put into one carton



↑
Production

7. Sealing the carton by tape



8. One carton label and one box label are pasted on the carton. If one carton is not full, one balance label pasted on the carton



Federal Communication Commission Interference Statement

This device complies with Part 15 of the FCC Rules. Operation is subject to the following two conditions: (1) This device may not cause harmful interference, and (2) this device must accept any interference received, including interference that may cause undesired operation.

This equipment has been tested and found to comply with the limits for a Class B digital device, pursuant to Part 15 of the FCC Rules. These limits are designed to provide reasonable protection against harmful interference in a residential installation. This equipment generates, uses and can radiate radio frequency energy and, if not installed and used in accordance with the instructions, may cause harmful interference to radio communications. However, there is no guarantee that interference will not occur in a particular installation. If this equipment does cause harmful interference to radio or television reception, which can be determined by turning the equipment off and on, the user is encouraged to try to correct the interference by one of the following measures:

- Reorient or relocate the receiving antenna.
- Increase the separation between the equipment and receiver.
- Connect the equipment into an outlet on a circuit different from that to which the receiver is connected.
- Consult the dealer or an experienced radio/TV technician for help.

FCC Caution: Any changes or modifications not expressly approved by the party responsible for compliance could void the user's authority to operate this equipment.

This transmitter must not be co-located or operating in conjunction with any other antenna or transmitter.



Radiation Exposure Statement:

This equipment complies with FCC radiation exposure limits set forth for an uncontrolled environment. This equipment should be installed and operated with minimum distance 20 cm between the radiator & your body.

This module is intended for OEM integrators only. Per FCC KDB 996369 D03 OEM Manual v01 guidance, the following conditions must be strictly followed when using this certified module:

KDB 996369 D03 OEM Manual v01 rule sections:

2.2 List of applicable FCC rules

This module has been tested for compliance to FCC Part 15

2.3 Summarize the specific operational use conditions

The module is tested for standalone mobile RF exposure use condition. Any other usage conditions such as co-location with other transmitter(s) or being used in a portable condition will need a separate reassessment through a class II permissive change application or new certification.

2.4 Limited module procedures

Not applicable.

2.5 Trace antenna designs

Not applicable.

2.6 RF exposure considerations

This equipment complies with FCC mobile radiation exposure limits set forth for an uncontrolled environment. This equipment should be installed and operated with a minimum distance of 20cm between the radiator & your body. If the module is installed in a portable host, a separate SAR evaluation is required to confirm compliance with relevant FCC portable RF exposure rules.

2.7 Antennas

The following antennas have been certified for use with this module; antennas of the same type with equal or lower gain may also be used with this module. The antenna must be installed such that 20 cm can be maintained between the antenna and users.

Brand	Model	Antenna Net Gain(dBi)	Frequency range	Antenna Type	Connector Type
MAG.LAYERS	MSA-4008-25GC1-A2	2.98	2.4~2.4835GHz	PIFA	i-pex(MHF)
		5.16	5.15~5.85GHz		
AzureWave	AW-CM358AN	3.4	2.4~2.4835GHz	PCB	none
		3.4	5.15~5.85GHz		

2.8 Label and compliance information

The final end product must be labeled in a visible area with the following: “Contains FCC ID: **TLZ-CM358SM**”. The grantee's FCC ID can be used only when all FCC compliance requirements are met.

2.9 Information on test modes and additional testing requirements

This transmitter is tested in a standalone mobile RF exposure condition and any co-located or simultaneous transmission with other transmitter(s) or portable use will require a separate class II permissive change re-evaluation or new certification.

2.10 Additional testing, Part 15 Subpart B disclaimer

This transmitter module is tested as a subsystem and its certification does not cover the FCC Part 15 Subpart B (unintentional radiator) rule requirement applicable to the final host. The final host will still need to be reassessed for compliance to this portion of rule requirements if applicable.

As long as all conditions above are met, further transmitter test will not be required. However, the OEM integrator is still responsible for testing their end-product for any additional compliance requirements required with this module installed.

IMPORTANT NOTE: In the event that these conditions can not be met (for example certain laptop configurations or co-location with another transmitter), then the FCC authorization is no longer considered valid and the FCC ID can not be used on the final product. In these circumstances, the OEM integrator will be responsible for re-evaluating the end product (including the transmitter) and obtaining a separate FCC authorization.

Manual Information To the End User

The OEM integrator has to be aware not to provide information to the end user regarding how to install or remove this RF module in the user's manual of the end product which integrates this module.

The end user manual shall include all required regulatory information/warning as show in this manual.

OEM/Host manufacturer responsibilities

OEM/Host manufacturers are ultimately responsible for the compliance of the Host and Module. The final product must be reassessed against all the essential requirements of the FCC rule such as FCC Part 15 Subpart B before it can be placed on the US market. This includes reassessing the transmitter module for compliance with the Radio and EMF essential requirements of the FCC rules. This module must not be incorporated into any other device or system without retesting for compliance as multi-radio and combined equipment.

Industry Canada statement:

This device complies with ISED's licence-exempt RSSs. Operation is subject to the following two conditions: (1) This device may not cause harmful interference, and (2) this device must accept any interference received, including interference that may cause undesired operation.

Le présent appareil est conforme aux CNR d'ISED applicables aux appareils radio exempts de licence. L'exploitation est autorisée aux deux conditions suivantes : (1) le dispositif ne doit pas produire de brouillage préjudiciable, et (2) ce dispositif doit accepter tout brouillage reçu, y compris un brouillage susceptible de provoquer un fonctionnement indésirable.

Radiation Exposure Statement:

This equipment complies with ISED radiation exposure limits set forth for an uncontrolled environment. This equipment should be installed and operated with greater than 20 cm between the radiator & your body.

Déclaration d'exposition aux radiations:

Cet équipement est conforme aux limites d'exposition aux rayonnements ISED établies pour un environnement non contrôlé. Cet équipement doit être installé et utilisé à plus de 20 cm entre le radiateur et votre corps.

This device is intended only for OEM integrators under the following conditions: (For module device use)

- 1) The antenna must be installed and operated with greater than 20cm between the antenna and users, and
- 2) The transmitter module may not be co-located with any other transmitter or antenna.

As long as **2** conditions above are met, further transmitter test will not be required. However, the OEM integrator is still responsible for testing their end-product for any additional compliance requirements required with this module installed.

Cet appareil est conçu uniquement pour les intégrateurs OEM dans les conditions suivantes: (Pour utilisation de dispositif module)

- 1) L'antenne doit être installé et exploité avec plus de 20 cm entre l'antenne et les utilisateurs, et
- 2) Le module émetteur peut ne pas être coïmplanté avec un autre émetteur ou antenne.

Tant que les **2** conditions ci-dessus sont remplies, des essais supplémentaires sur l'émetteur ne seront pas nécessaires. Toutefois, l'intégrateur OEM est toujours responsable des essais sur son produit final pour toutes exigences de conformité supplémentaires requis pour ce module installé.

IMPORTANT NOTE:

In the event that these conditions can not be met (for example certain laptop configurations or co-location with another transmitter), then the Canada authorization is no longer considered valid and the IC ID can not be used on the final product. In these circumstances, the OEM integrator will be responsible for re-evaluating the end product (including the transmitter) and obtaining a separate Canada authorization.

NOTE IMPORTANTE:

Dans le cas où ces conditions ne peuvent être satisfaites (par exemple pour certaines configurations d'ordinateur portable ou de certaines co-localisation avec un autre émetteur), l'autorisation du Canada n'est plus considéré comme valide et l'ID IC ne peut pas être utilisé sur le produit final. Dans ces circonstances, l'intégrateur OEM sera chargé de réévaluer le produit final (y compris l'émetteur) et l'obtention d'une autorisation distincte au Canada.

End Product Labeling

This transmitter module is authorized only for use in device where the antenna may be installed and operated with greater than 20 cm between the antenna and users. The final end product must be labeled in a visible area with the following: "Contains IC: **6100A-CM358SM**".

Plaque signalétique du produit final

Ce module émetteur est autorisé uniquement pour une utilisation dans un appareil où l'antenne peut être installée et utilisée à plus de 20 cm entre l'antenne et les utilisateurs. Le produit final doit être étiqueté dans un endroit visible avec l'inscription suivante: "Contient des IC: **6100A-CM358SM**".

Manual Information To the End User

The OEM integrator has to be aware not to provide information to the end user regarding how to install or remove this RF module in the user's manual of the end product which integrates this module. The end user manual shall include all required regulatory information/warning as show in this manual.

Manuel d'information à l'utilisateur final

L'intégrateur OEM doit être conscient de ne pas fournir des informations à l'utilisateur final quant à la façon d'installer ou de supprimer ce module RF dans le manuel de l'utilisateur du produit final qui intègre ce module.

Le manuel de l'utilisateur final doit inclure toutes les informations réglementaires requises et avertissements comme indiqué dans ce manuel.

Caution :

(i) the device for operation in the band 5150-5250 MHz is only for indoor use to reduce the potential for harmful interference to co-channel mobile satellite systems;

(ii) for devices with detachable antenna(s), the maximum antenna gain permitted for devices in the bands 5250-5350 MHz and 5470-5725 MHz shall be such that the equipment still complies with the e.i.r.p. limit;

(iii) for devices with detachable antenna(s), the maximum antenna gain permitted for devices in the band 5725-5850 MHz shall be such that the equipment still complies with the e.i.r.p. limits as appropriate;

(iv) where applicable, antenna type(s), antenna models(s), and worst-case tilt angle(s) necessary to remain compliant with the e.i.r.p. elevation mask requirement set forth in section 6.2.2.3 shall be clearly indicated.

Avertissement:

Le guide d'utilisation des dispositifs pour réseaux locaux doit inclure des instructions précises sur les restrictions susmentionnées, notamment :

(i) les dispositifs fonctionnant dans la bande 5150-5250 MHz sont réservés uniquement pour une utilisation à l'intérieur afin de réduire les risques de brouillage préjudiciable aux systèmes de satellites mobiles utilisant les mêmes canaux;

(ii) pour les dispositifs munis d'antennes amovibles, le gain maximal d'antenne permis pour les dispositifs utilisant les bandes de 5 250 à 5 350 MHz et de 5 470 à 5 725 MHz doit être conforme à la limite de la p.i.r.e.;

(iii) pour les dispositifs munis d'antennes amovibles, le gain maximal d'antenne permis (pour les dispositifs utilisant la bande de 5 725 à 5 850 MHz) doit être conforme à la limite de la p.i.r.e. spécifiée, selon le cas;

(iv) lorsqu'il y a lieu, les types d'antennes (s'il y en a plusieurs), les numéros de modèle de l'antenne et les pires angles d'inclinaison nécessaires pour rester conforme à l'exigence de la p.i.r.e. applicable au masque d'élévation, énoncée à la section 6.2.2.3, doivent être clairement indiqués