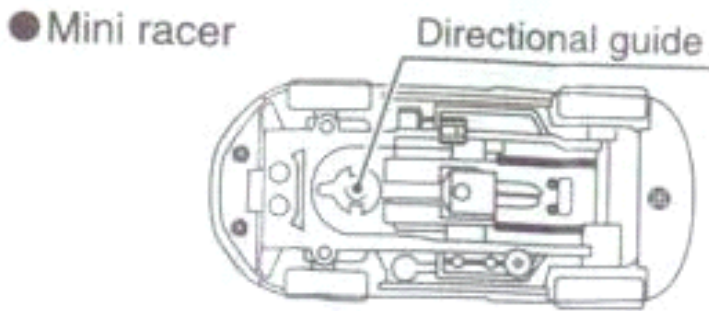
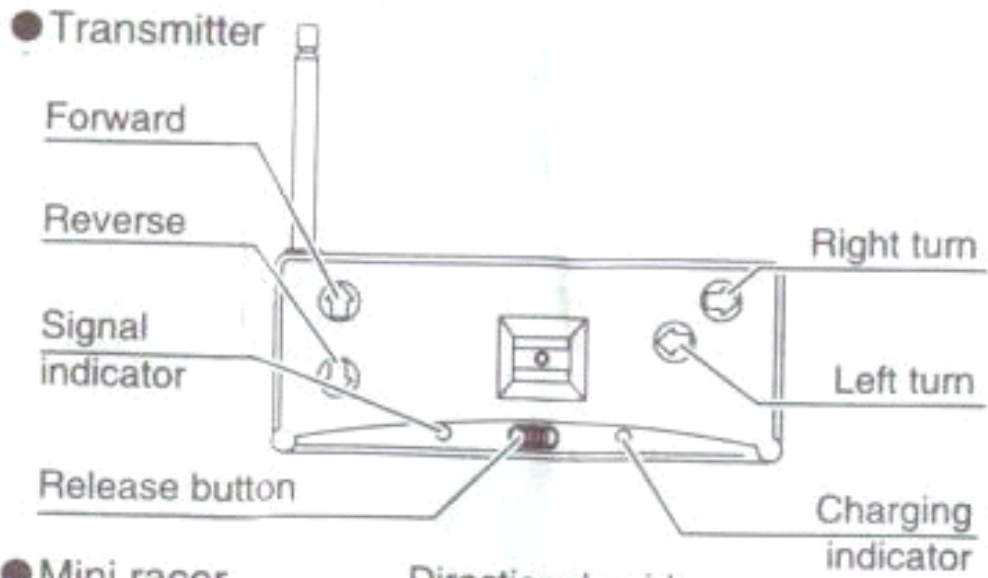
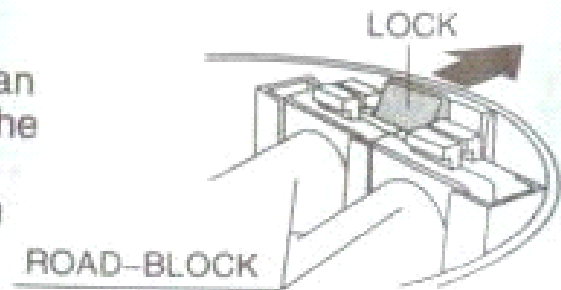


Part details

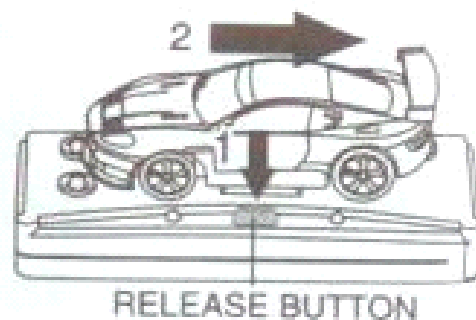


Preparation

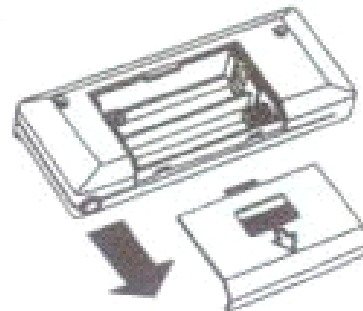
1. Open the can, detach the can cover and can body. Push the LOCK inside the can cover towards the direction shown to release the 4 ROAD-BLOCKS.



2. Take out the transmitter and mini racer from the can body. Press down the RELEASE BUTTON, slide the mini racer in the direction shown to release it.

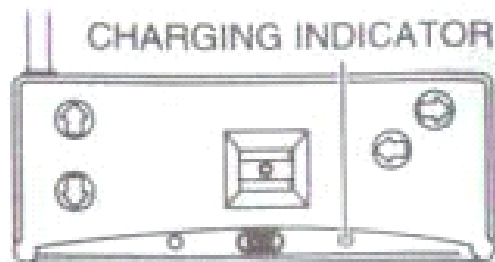
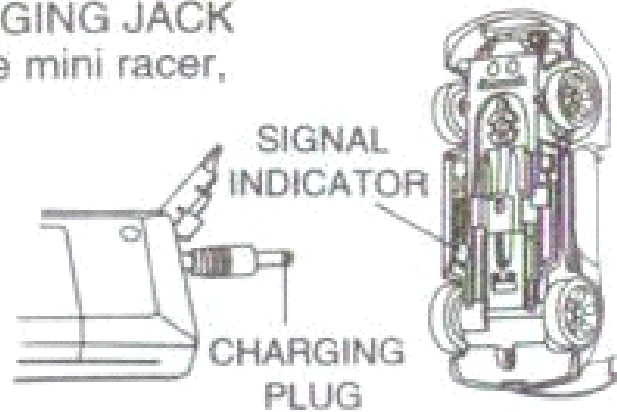
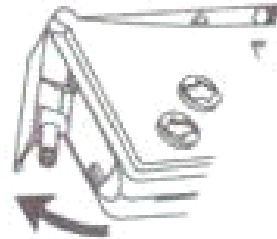


3. Slide the transmitter's battery compartment cover towards the direction shown and open it.



Charging the mini racer

1. Open the charger cover as illustrated and take out the CHARGING PLUG.
2. Insert the CHARGING PLUG to the CHARGING JACK on the bottom of the mini racer, the CHARGING INDICATOR lights up to indicate the charging is in process.
3. The mini racer is fully charged when the CHARGING INDICATOR goes off.

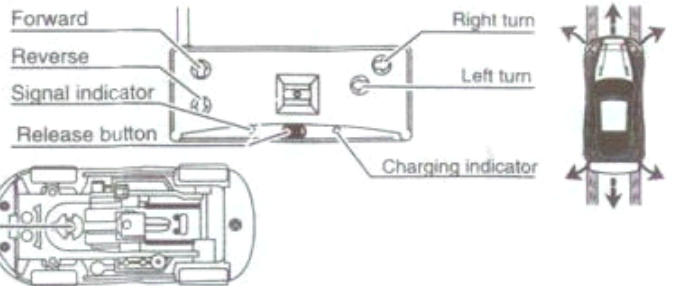
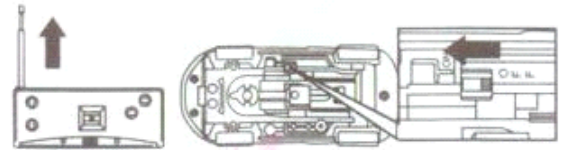


Operation

1. Extend the transmitter's antenna for better signal reception. Move the ON/OFF switch on the mini racer to ON, and place it on the ground.

2. The transmitter is full-function:

- (1) The SIGNAL INDICATOR lights up when any button on the transmitter is pressed.
 - (2) The mini racer runs forward and lights up its headlights when the transmitter's FORWARD button is pressed. The mini racer runs reverse and lights up its tail lamps when the transmitter's REVERSE button is pressed.
 - (3) Pressing the LEFT/RIGHT button on the transmitter while the mini racer is running forward or reverse, the mini racer will make left/right turns.
 - (4) The RELEASE BUTTON on the transmitter is used to release the mini racer which is locked on the transmitter when packaging.
3. The DIRECTIONAL GUIDE is used to adjust the mini racer's direct-line-running-performance.



Model No. QY1201 QY1202 QY1203 QY1204 QY1205 QY1206 QY1207 QY1208 QY1209 QY1210 QY1211
QY1212 QY1213 QY1214 QY1215 QY1216 QY1217 QY1218 QY1219 QY1220 QY1221 QY1222 QY1223
QY1224 QY1225 QY1226 QY1227 QY1228 QY1229 QY1230 QY1231 QY1232 QY1233 QY1234 QY1235
QY1236 QY1237 QY1238 QY1239 QY1240

statement:

changes or modifications not expressly approved by the party responsible for compliance could void the user's authority to operate the equipment.

This equipment has been tested and found to comply with the limits for a Class B digital device, pursuant to Part 15 of the FCC Rules. These limits are designed to provide reasonable protection against harmful interference in a residential installation. This equipment generates, uses and can radiate radio frequency energy and, if not installed and used in accordance with the instructions, may cause harmful interference to radio communications. However, there is no guarantee that interference will not occur in a particular installation.

If this equipment does cause harmful interference to radio or television reception, which can be determined by turning the equipment off and on, the user is encouraged to try to correct the interference by one or more of the following measures:

- Reorient or relocate the receiving antenna.
- Increase the separation between the equipment and receiver.
- Connect the equipment into an outlet on a circuit different from that to which the receiver is connected.
- Consult the dealer or an experienced radio/TV technician for help.