

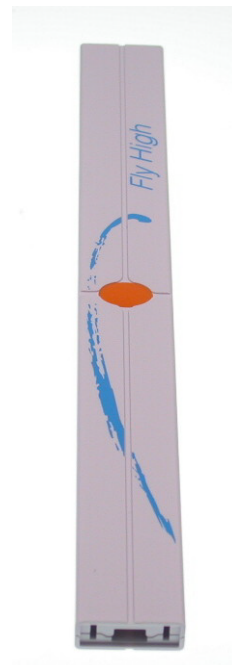
Portable Omni Directional Antenna for 2.4 GHz

Version 2

NCI05-050150

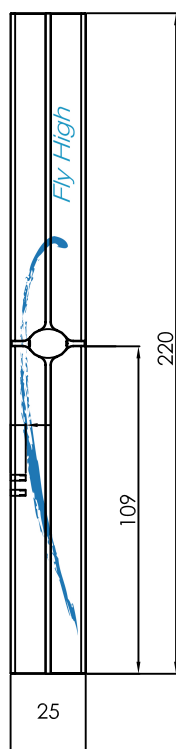
Electrical Specification

Frequency range	2400 MHz - 2500MHz
Gain	4.0 dBi
VSWR	2.0 : 1 Max.
Polarization	Linear, vertical
HPBW / horizontal	360°
HPBW / vertical	40°
Impedance	50 Ohms
Cable	Cable 1.13

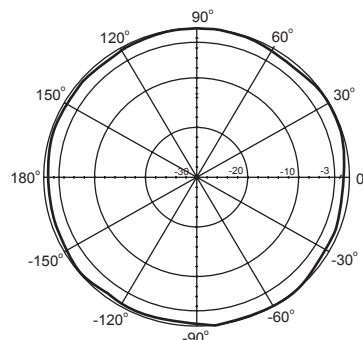


Environmental & Mechanical Characteristics

Temperature	- 10° C to +55° C
Humidity	95% @ 55° C
Dimensions	220 x 25 x 10 mm



H-plane Co-polarization Pattern



V-plane Co-polarization Pattern

