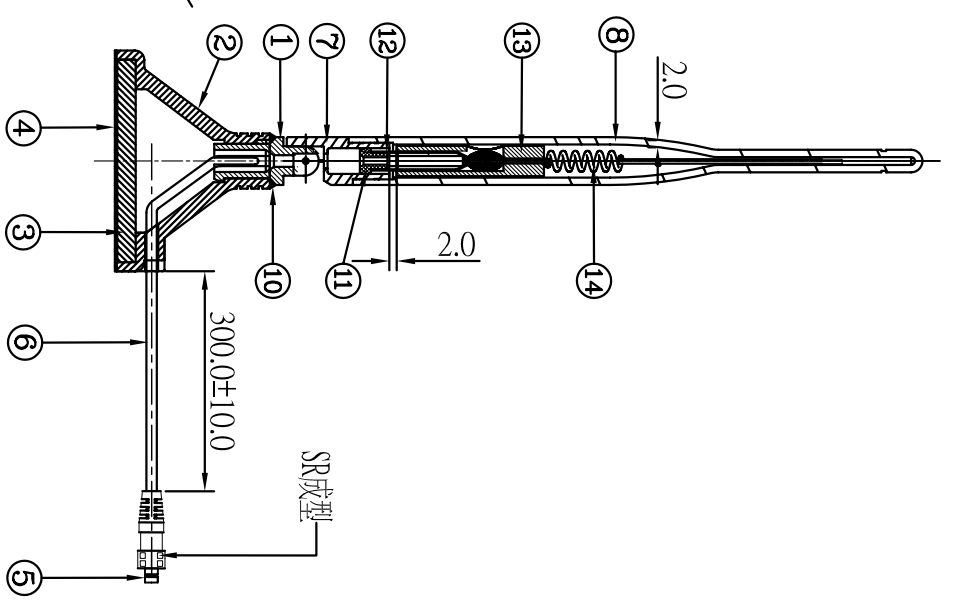
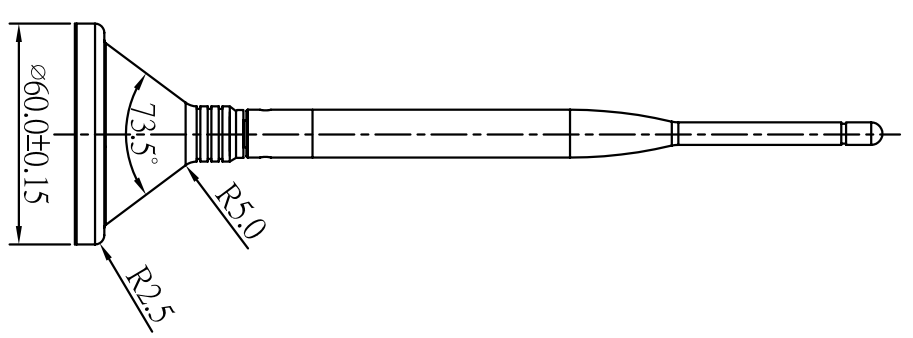
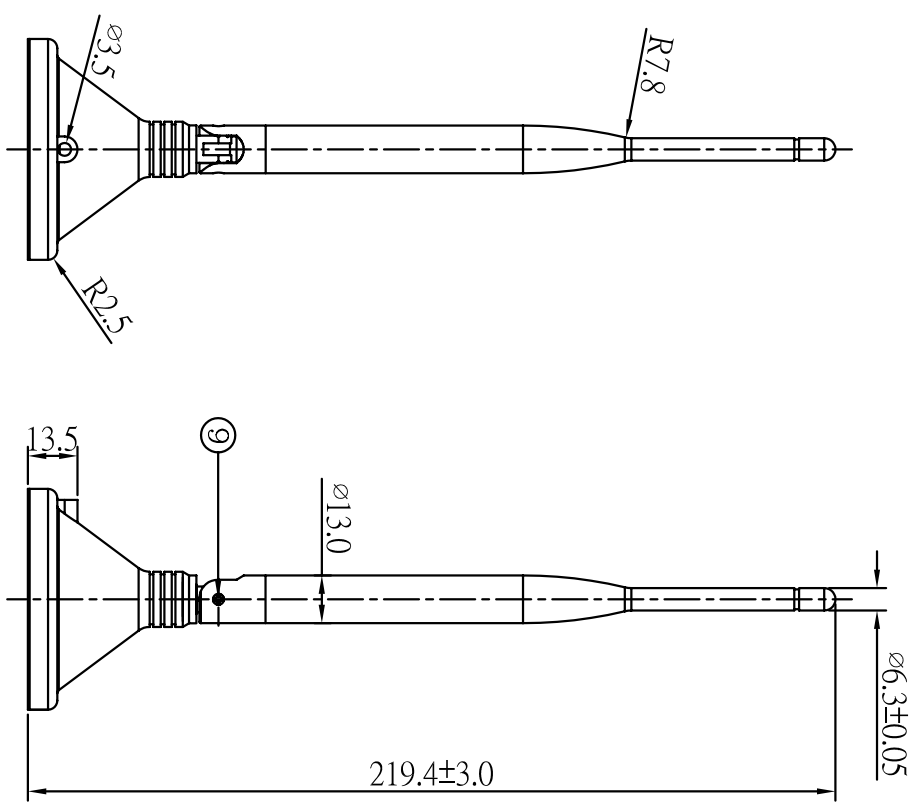
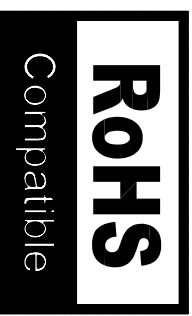


SIGN	DATE	DESCRIPTION	APPROVER
△			
△			



序號	料號	品名	材料	顏色/規格	數量
1	R-AN2401-01A	底座	PC+ABS	黑色	1
2	R-AN24-19	磁體本體	PC+ABS	黑色	1
3	R-AN24-18	磁鐵	氧化鐵	∅55.0*5.0 mm	1
4	R-AN1901-08	黑色軟PVC	PVC	∅60.0*0.3 mm	1
5	R-SMK001-CG8PNSOL	SMK接頭	青銅	鍍金	1
6	R-RG-178U	線材	RG178	L=430.0mm	1
7	R-AN03-T02	天線連接筒	PA-6	黑色	1
8	R-AN1901-01	天線塑膠外套	TPE	黑色	1
9	R-AN03-514CZ	天線轉軸	青銅	鍍黑鎳	2
10	R-AN94-01	"O"形橡膠圈	橡膠	黑色	1
11	R-AN65-10	定位塞	PE	∅7.0*7.5mm	1
12	R-AN94-02S	銅管(一體)	銅	鍍錫	1
13	R-AN1901-04	套筒	ABS	黑色	1
14	R-AN1901-06	彈簧	銅	L=94.0mm	1



**Cortec** Cortec Technology Inc.

PART NAME: Antenna-2.4GHz		TITLE: Antenna-2.4GHz	
PART NO.: R-AN2400-940ASK		DWG NAME: R-AN2400-940ASK.dwg	
APPROVED BY	CHECKED BY	DESIGNED BY	CUSTOM NO.:
Grant	Boyen	廖小平	
2006/09/16	2006/09/16	2006/09/16	
UNITS: mm		Tolerance	
SCALE: 2/1		X ±0.20	
REVISION: A		X.X ±0.10	
		X.XX ±0.05	
		X ±0.5	

Product Number: R-AN2400-9404SK

Product Name: 2.4 GHz Antenna



## 2. Technical Specification

<b>A. Electrical Characteristics</b>	
<b>Working Frequency Range</b>	<b>2400 ~ 2500 MHz</b>
<b>S.W.R.</b>	<b>&lt;= 2.0</b>
<b>Antenna Gain</b>	<b>5 ± 0.5 dBi</b>
<b>Antenna Radiation Pattern</b>	<b>Omni-directional</b>
<b>Impedance</b>	<b>50 ohm</b>
<b>B. Material</b>	
<b>Color of Outer Cover</b>	<b>Black</b>
<b>Material of Outer Cover</b>	<b>TPE</b>
<b>Connector Type</b>	<b>50 Ohm SMK Plug for RG-178 Au Plated</b>
<b>Coaxial Cable</b>	<b>RG-178 // 300 mm</b>
<b>Tube</b>	<b>Copper // Sn Plated</b>
<b>C. Environmental</b>	
<b>Operation Temperature</b>	<b>- 30 °C ~ + 85 °C</b>
<b>Storage Temperature</b>	<b>- 30 °C ~ + 85 °C</b>

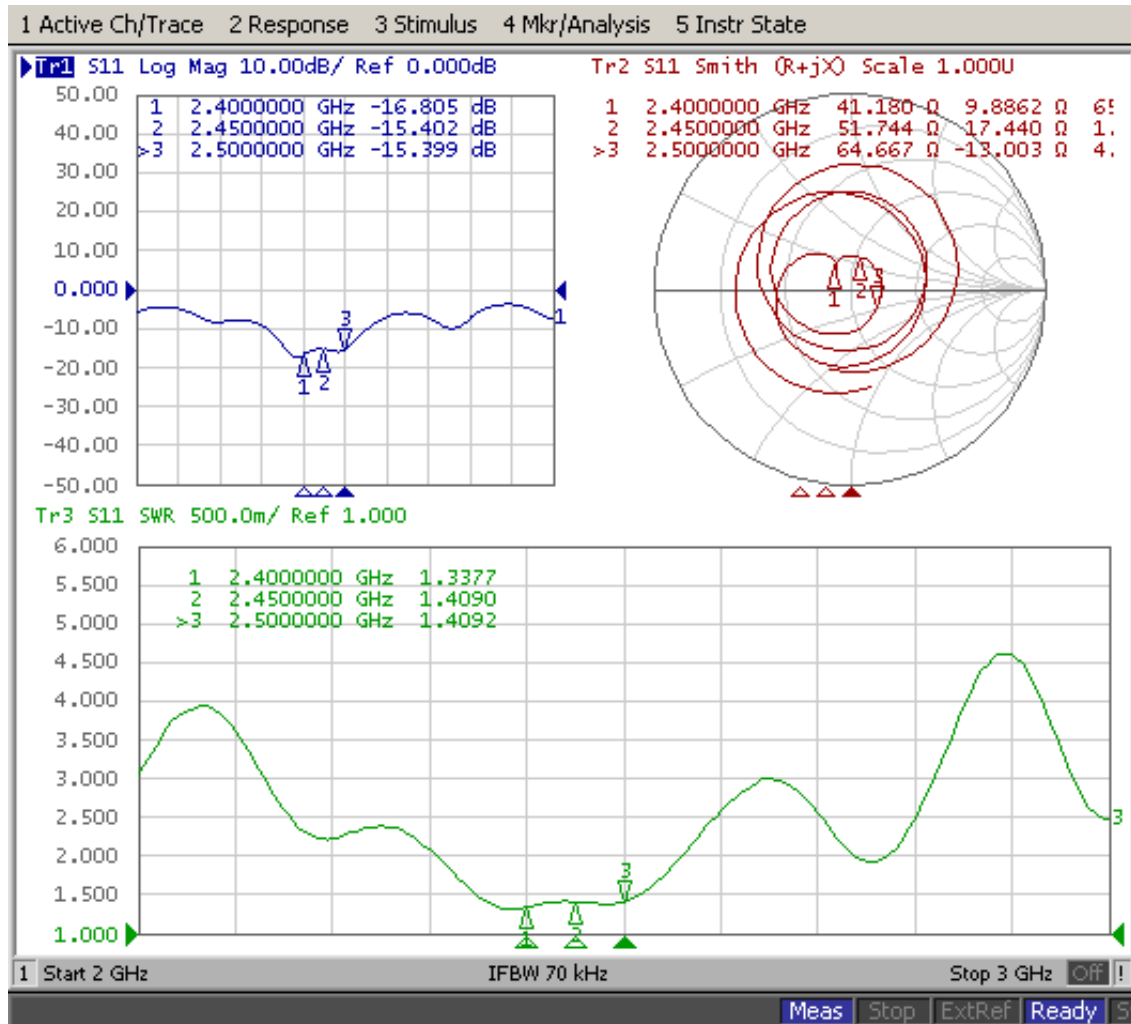
Product Number: R-AN2400-9404SK

Product Name: 2.4 GHz Antenna

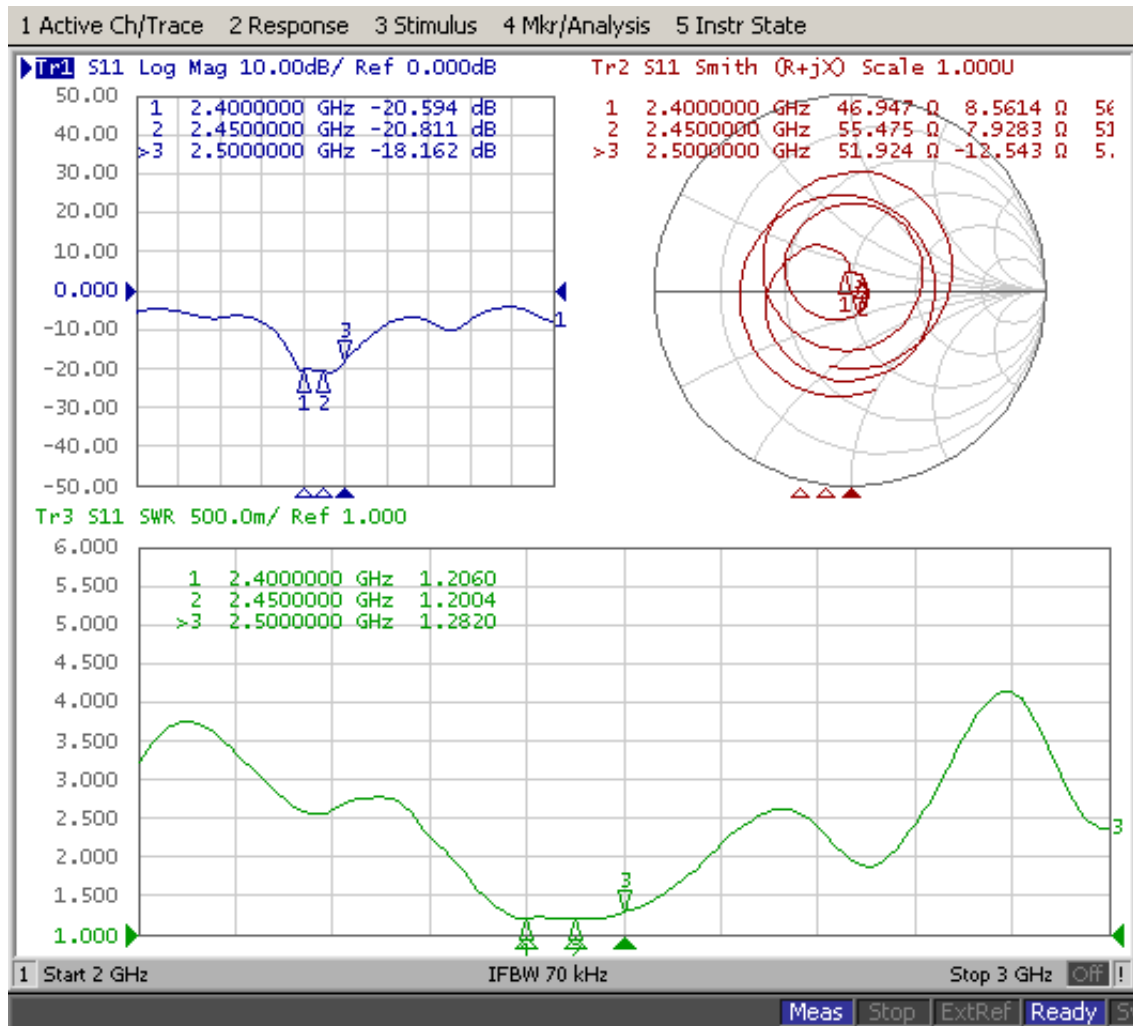


### 3. S11 Return Loss / S.W.R. / Impedance Testing Result

Antenna Hinge is 90 degree



### Antenna Hinge is 180 degree



Product Number: R-AN2400-9404SK  
Product Name: 2.4 GHz Antenna



#### 4. Antenna Radiation Pattern

##### Testing Equipment Specification:

Antenna Anechoic Chamber Dimension: 8 x 4 x 4 m

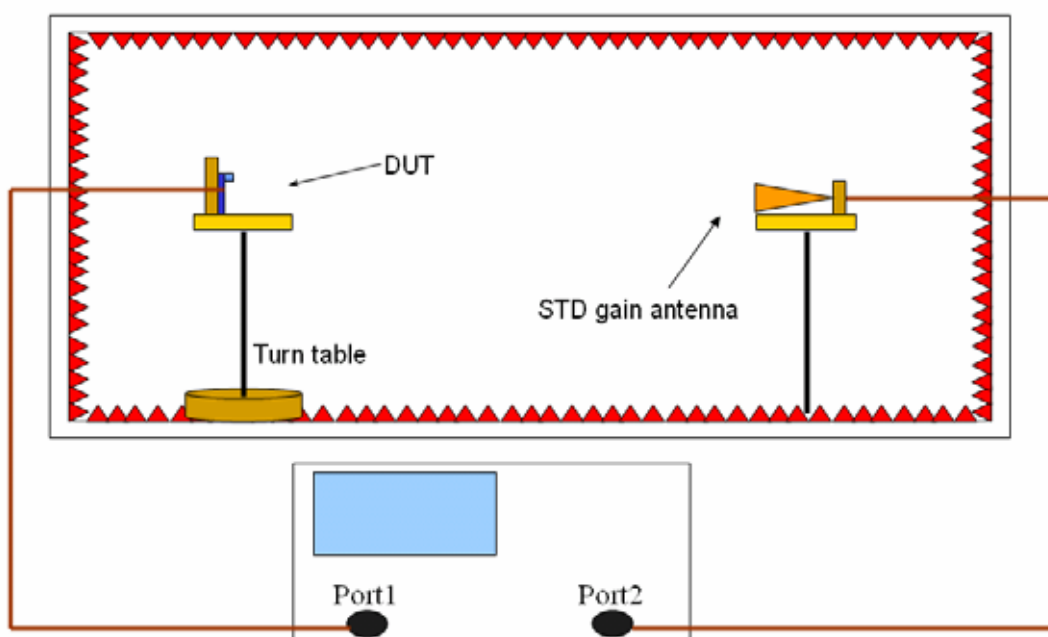
Quiet Zone: 600mm @1 GHz

Isolation: >100dB @ 1 MHz ~ 10 GHz

Testing Equipment: Agilent 8720D

Received Antenna: 0.7~6.0 GHz for Gain Calibration

Double Ridged Horn Antenna





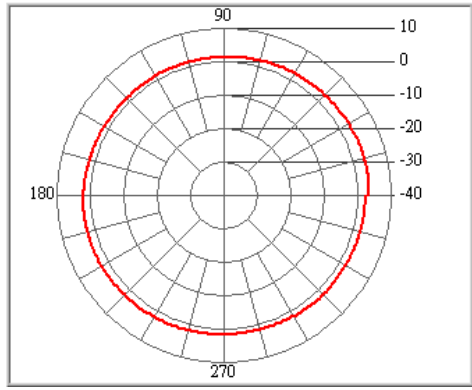
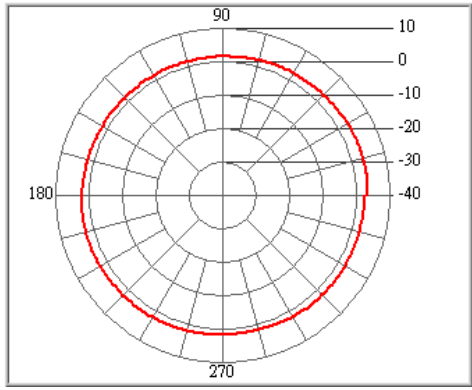
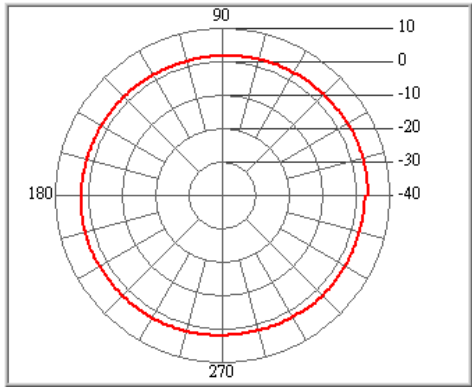
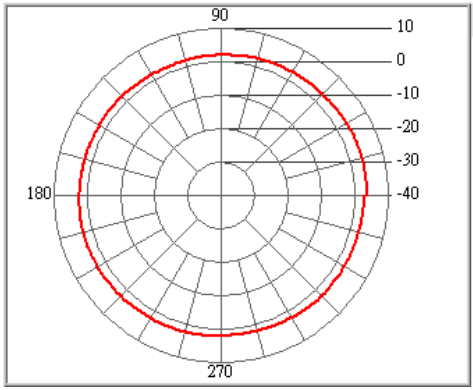
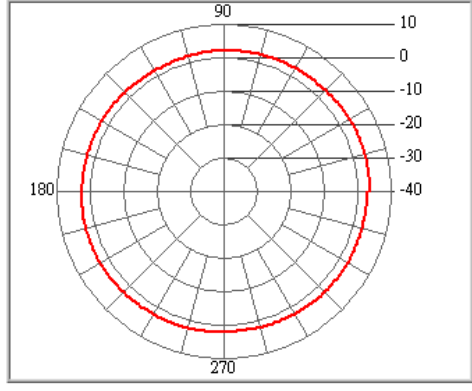
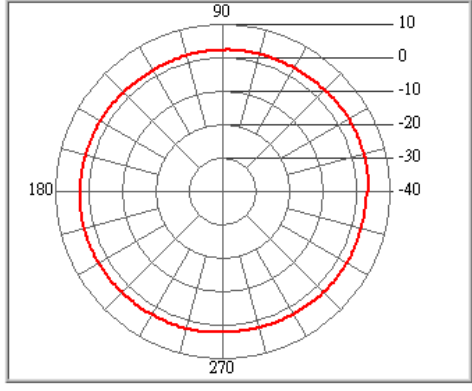
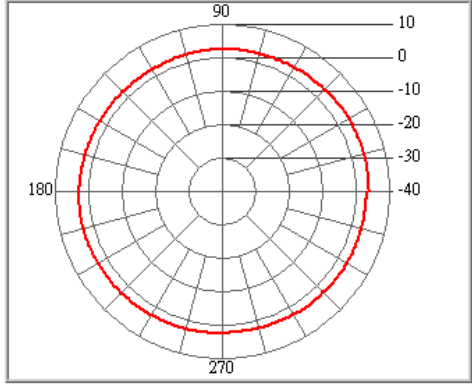
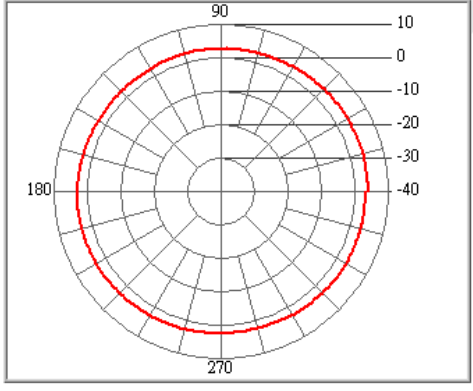
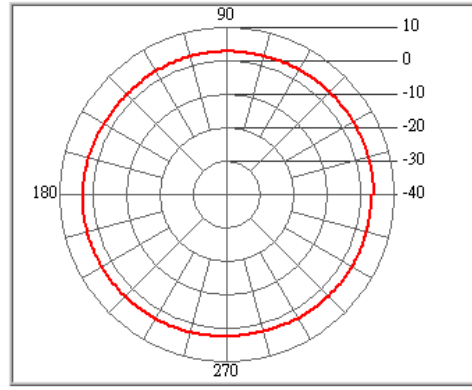
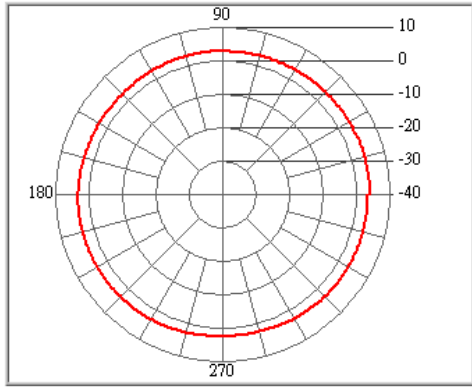
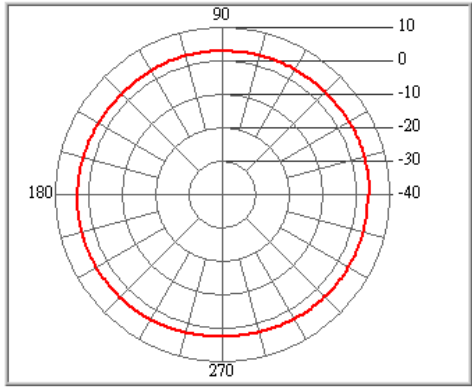
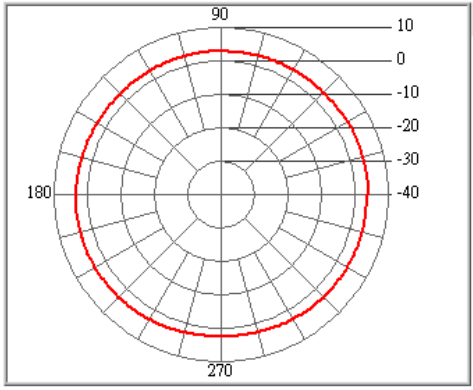
# Cortec Technology Inc.

广东省东莞市长安镇振安路沙头段咸西工业区

Model : R-AN2400-9404SK  
 Remark : H-Plane  
 Tested by : CORTEC Antenna 3D Lab // Xiang Zhi Rong

Location: **Chamber**      Date: 2006/9/19      Time: 下午 01:03:46  
 Temperatur (°C): 22.00      Humidity (%): 55.00      Approved by:

Freq. (MHz)	2390	2400	2410	2420	2430	2440	2450	2460	2470	2480	2490	2500
Peak Gain (dBi)	4.14	4.22	4.18	4.14	4.08	3.99	3.88	3.82	3.79	3.74	3.65	3.63
Peak Degree	3	3	1	0	0	0	0	13	7	7	7	7
AV Gain (dBi)	3.2	3.23	3.12	3	2.95	2.81	2.67	2.55	2.47	2.31	2.14	2.04



Model : R-AN2400-9404SK  
 Remark : E-Plane  
 Tested by : CORTEC Antenna 3D Lab // Xiang Zhi Rong

Location: Chamber

Date: 2006/9/19

Time: 下午 01:07:47

Temperatuer (°C): 22.00

Humidity (%): 55.00

Approved by:

Freq. (MHz)	2390	2400	2410	2420	2430	2440	2450	2460	2470	2480	2490	2500
Peak Gain (dBi)	3.55	3.35	2.84	2.53	2.56	2.72	3.07	3.5	3.8	3.78	3.65	3.72
Peak Degree	167	167	167	167	167	166	166	166	167	167	167	172
AV Gain (dBi)	-2.16	-2.28	-2.56	-2.72	-2.76	-2.84	-2.78	-2.66	-2.6	-2.76	-2.91	-2.96

