

Exhibit 10

Technical Data and Photos of Antennas

Manufacturer: Astron Wireless
 Manufacturer's PN: V-9183
 Lexycom's PN: FGAN0905OS

**3dB Gain Omnidirectional Antenna - Model V-9183
 902-928 MHz**



2 year warranty
 Made in the USA

Advantages	
•	This is a rugged 3dB gain omni optimized for wide bandwidth, all-weather performance. The broad vertical beamwidth provides wide area coverage and no field tuning is required to obtain maximum performance.
•	Astron's all-brass center fed dipole delivers a clean radiation pattern without ground radials.

Features	
•	Encased in a heavy wall fiberglass radome for superior weather resistance.
•	Flexible feedline with N Female termination simplifies the final installation.
•	Stainless steel V-Bolts and custom V-Blocks for easy and secure mounting.
•	Individually factory tested.

ELECTRICAL SPECIFICATIONS	
Frequency Range, MHz	902-928
Gain, dBd	3 dB
VSWR (50 Ohms)	1.5:1 typical
1.5:1 bandwidth, MHz	26 minimum
3 dB Beamwidth E/H Planes, degrees	33/360
Maximum Power, watts	50*
Termination, feet (m), coax	N Female, 1 (.3), RG58 type
Polarization	Vertical

*Limited by feedline. Higher power ratings are available as

an option.

MECHANICAL SPECIFICATIONS	
Overall Length, inches (cm)	30 (76)
Radome Material	1.0" OD; .125" wall Fiberglass
Element Material	All-brass components
Mast Diameter, inches, (cm)	1.25-2.0 (3.2-5.1)
Mounting Hardware	Base to mast, supplied
Wind Surface Area, feet² (m²)	.14 (.013)
Wind Survival, mph (kph)	150 (240)
Weight, pounds (kg)	2.0 (.9)

Manufacturer: Astron Wireless
 Manufacturer's PN: 918-3
 Lexycom's PN: FGAN0903YS

Commercial Grade Yagi Antenna - ISM Spread Spectrum/Video
 906-928 MHz



Quick Guide

Model#	Frequency	Gain	Beamwidth
918-2	902-928 MHz	4	71/140
918-3	902-928 MHz	5	70/130
918-4*	902-928 MHz	7	57/78
918-6*	902-928 MHz	9	49/59
918-7	902-928 MHz	10	45/52
918-8*	902-928 MHz	10	43/48
918-10*	902-928 MHz	12	34/36
918-15*	902-928 MHz	13	30/32

Advantages

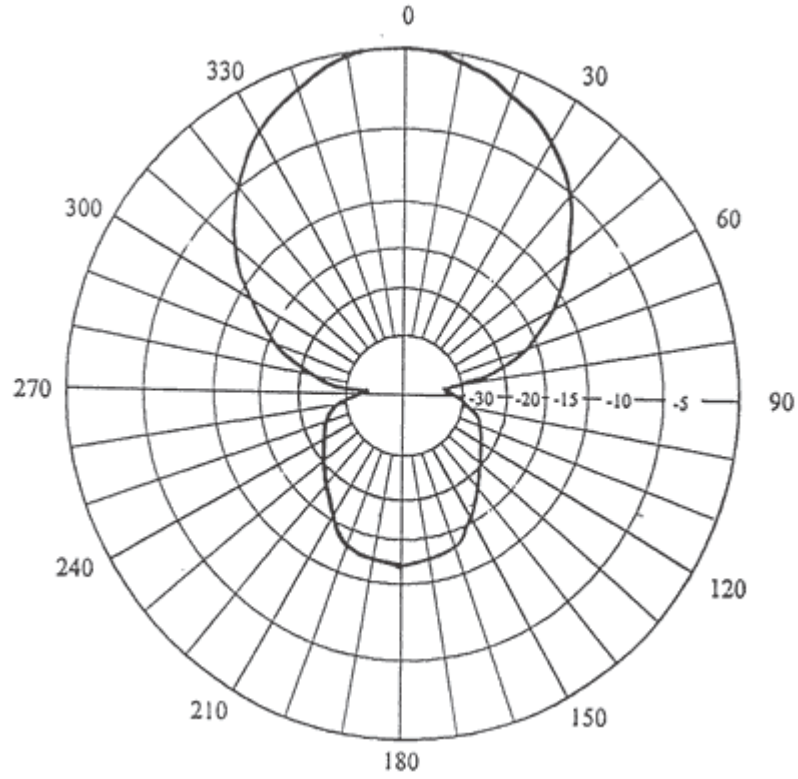
- A long range, high gain Yagi optimized specifically for FCC 902-928 MHz applications

Features

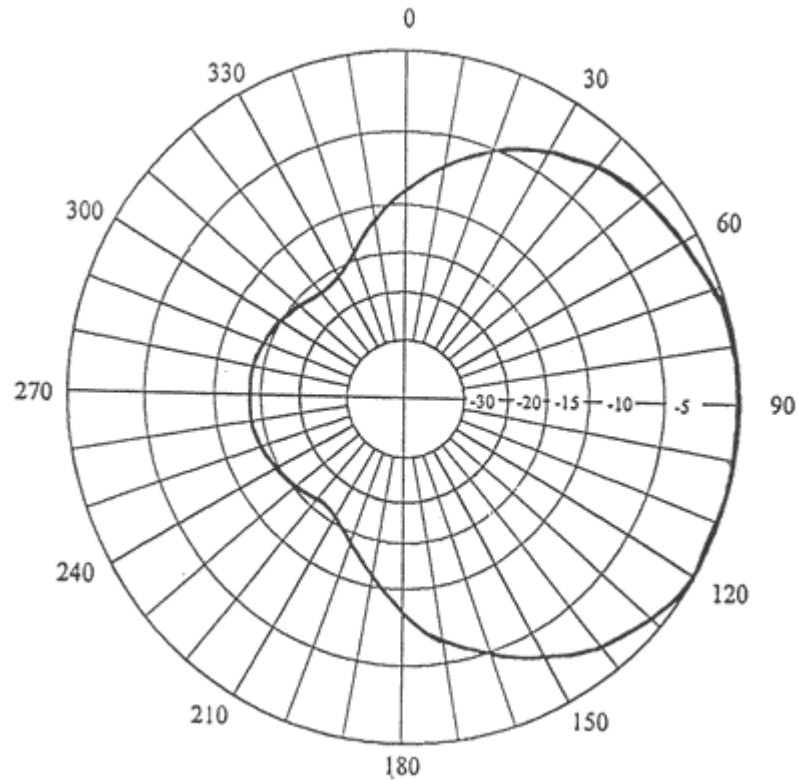
- "EverSealed" feed system ensures against system failures due to moisture.
- Square boom construction for greater strength and solid aluminum rod elements.
- Flexible feedline interface and custom cable lengths are available for quick and easy installation.
- **No field tuning required.**

3 Element Yagi

E-Plane



H-Plane



Manufacturer: Astron Wireless
 Manufacturer's PN: 918-6
 Lexycom's PN: FGAN0906YS

Commercial Grade Yagi Antenna - ISM Spread Spectrum/Video
 906-928 MHz



Quick Guide

Model#	Frequency	Gain	Beamwidth
918-2	902-928 MHz	4	71/140
918-3	902-928 MHz	5	70/130
918-4*	902-928 MHz	7	57/78
918-6*	902-928 MHz	9	49/59
918-7	902-928 MHz	10	45/52
918-8*	902-928 MHz	10	43/48
918-10*	902-928 MHz	12	34/36
918-15*	902-928 MHz	13	30/32

Advantages

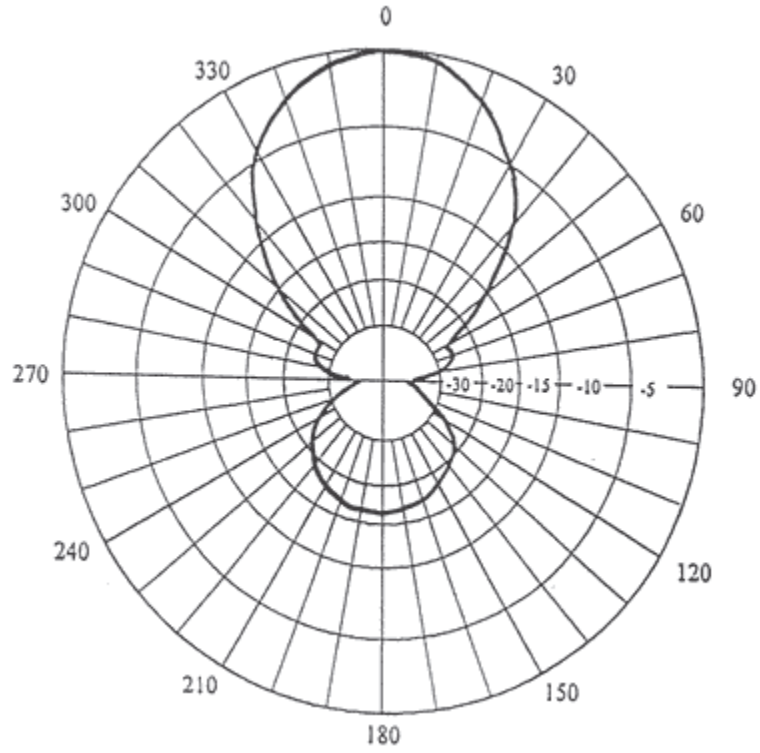
- A long range, high gain Yagi optimized specifically for FCC 902-928 MHz applications

Features

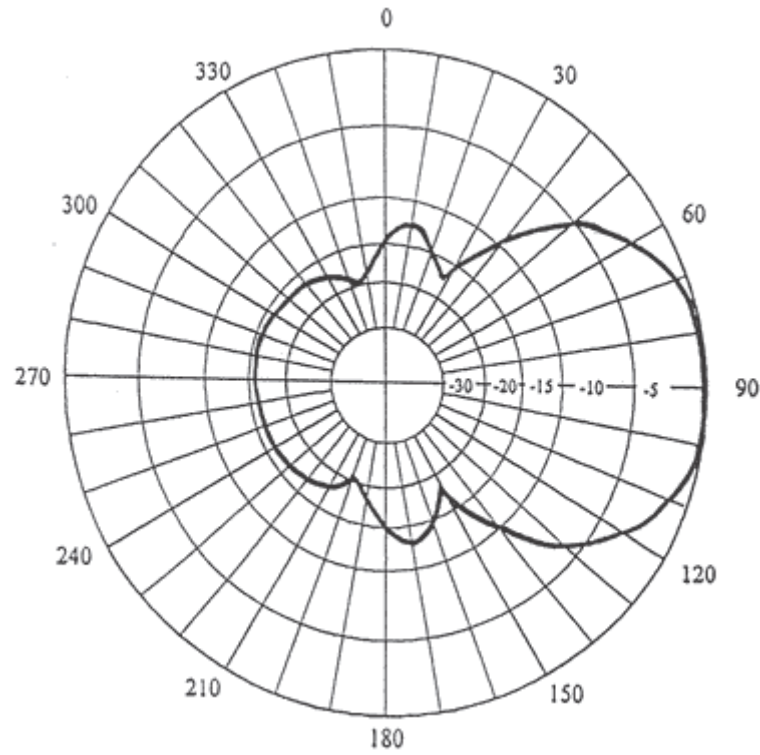
- "EverSealed" feed system ensures against system failures due to moisture.
- Square boom construction for greater strength and solid aluminum rod elements.
- Flexible feedline interface and custom cable lengths are available for quick and easy installation.
- **No field tuning required.**

6 Element Yagi

E-Plane

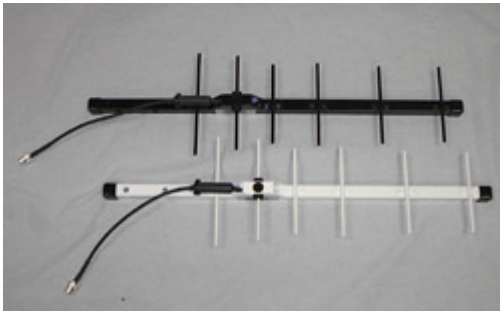


H-Plane



Manufacturer: Astron Wireless
 Manufacturer's PN: 918-6ESP
 Lexycom's PN: FGAN0906YE

Commercial Grade Yagi Antenna - ISM Spread Spectrum/Video
 906-928 MHz ***Enviro-Seal Protected***



Quick Guide			
Model#	Frequency	Gain	Beamwidth
918-2 ESP	902-928 MHz	4	71/140
918-3 ESP	902-928 MHz	5	70/130
918-4 ESP	902-928 MHz	7	57/78
918-6 ESP	902-928 MHz	9	49/59
918-10 ESP	902-928 MHz	12	34/36
918-15 ESP	902-928 MHz	13	30/32

Advantages

- A long range, high gain Yagi optimized specifically for FCC 902-928 MHz applications

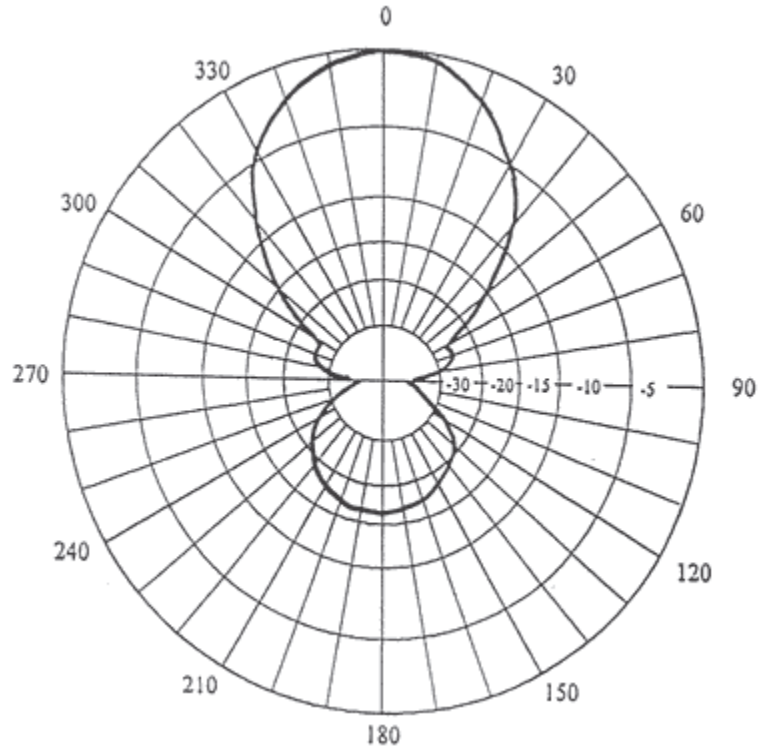
Features

- Certified **Enviro-Seal Protection.**
- Unmatched 10 Year Warranty.
- Baked on finish to virtually eliminate Corrosion in any environment.
- **"EverSealed"** feed system which insures against system failures due to moisture.
- Square boom construction for greater strength and solid aluminum rod elements.
- Flexible feedline interface with custom cable lengths available for easier, reliable installation.
- **No field tuning required.**

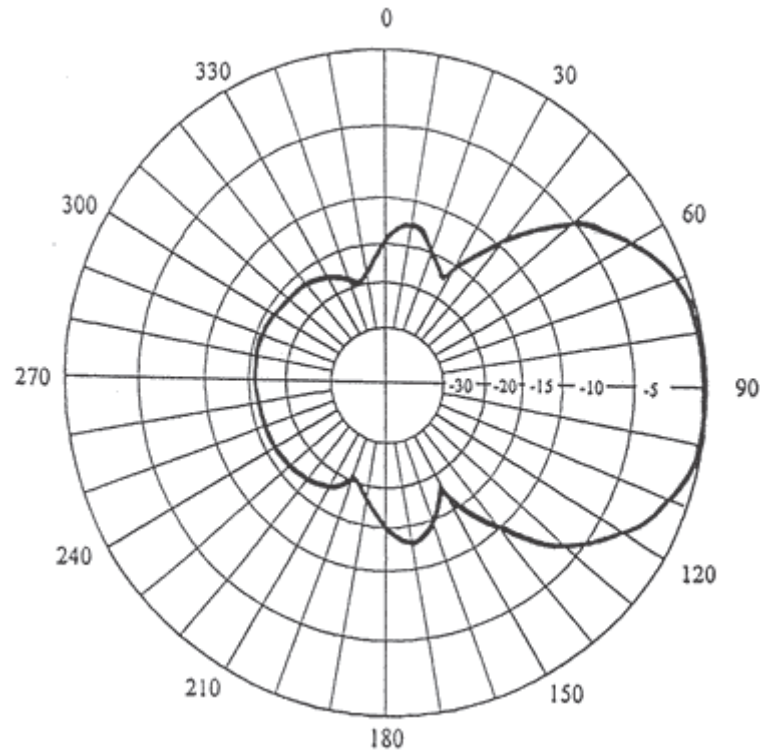
Made in USA

6 Element Yagi

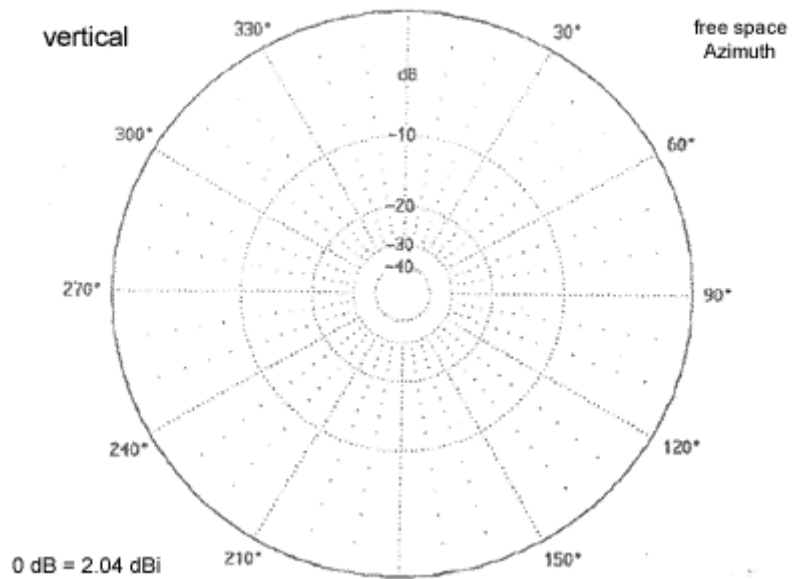
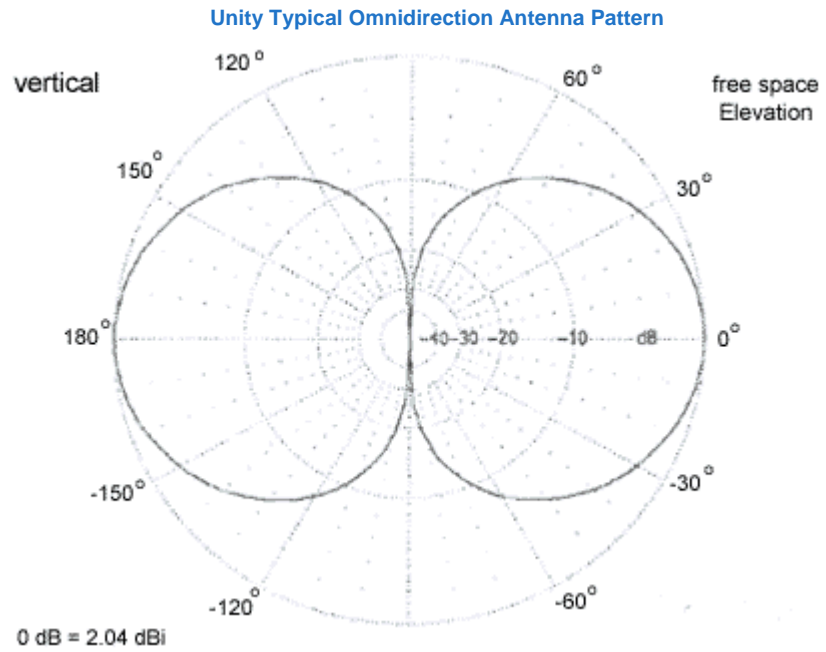
E-Plane



H-Plane



Manufacturer: Astron Wireless
Manufacturer's PN: AXH92SMS and AXH92SM
Lexycom's PN: FGAN0900PA and FGAN0900PS

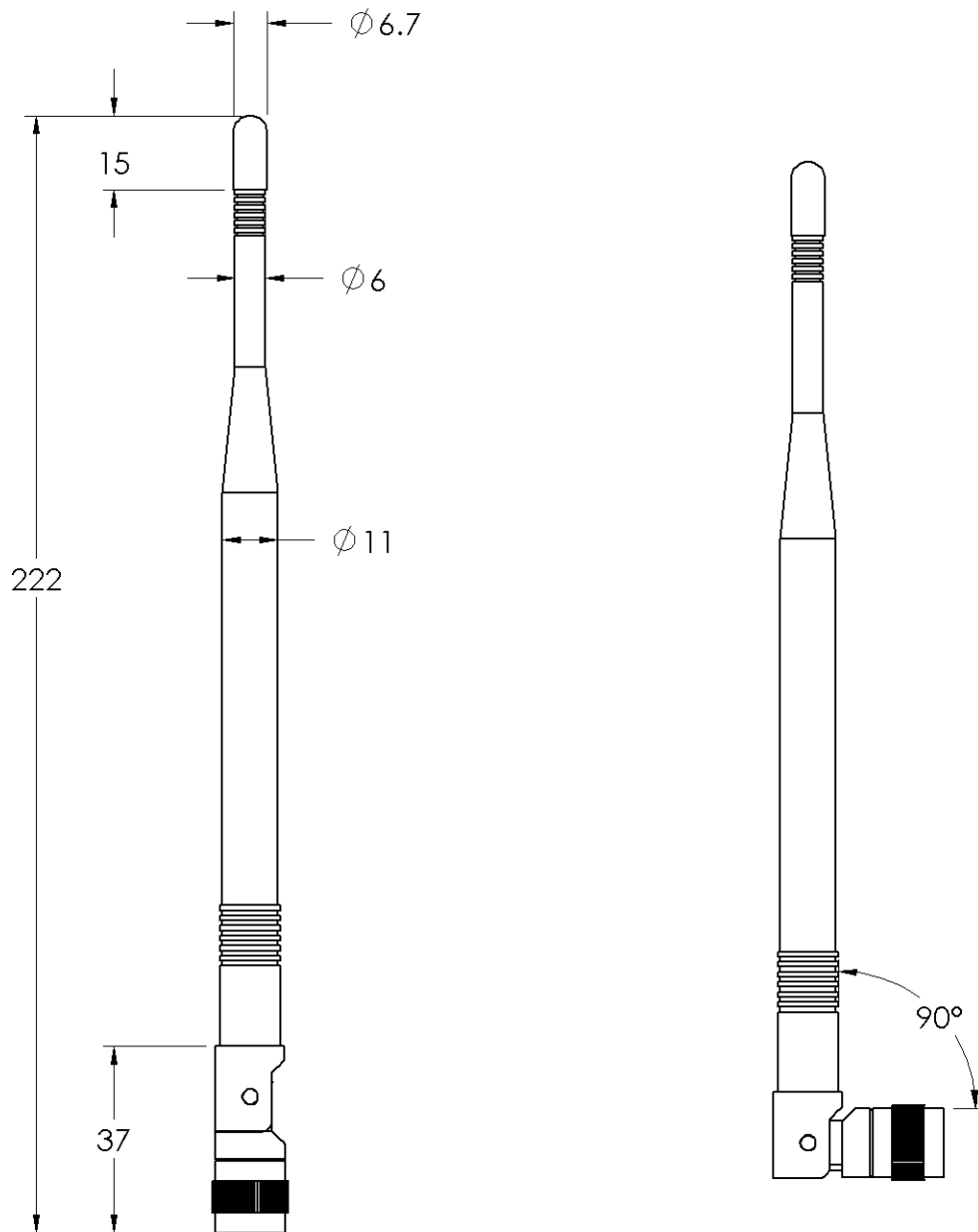


SWIVEL DIPOLE 890 – 960 GHz – GAIN : 2 dBi
SMA - Male

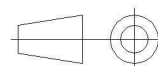
SPDA24918

OMNIDIRECTIONAL ANTENNA

Series : ANTENNA



All dimensions are in mm



Issue : 0242A

In the effort to improve our products, we reserve the right to make changes judged to be necessary.

RADIALL/LARSEN
 antenna technologies

**SWIVEL DIPOLE 890 – 960 GHZ – GAIN : 2 dBi
SMA - Male**

SPDA24918

OMNIDIRECTIONAL ANTENNA

Series : ANTENNA

ELECTRICAL CHARACTERISTICS

Frequency : **890 - 960 MHz**
 Nominal Impedance : **50 Ω**
 Antenna Type: **Sleeve dipole**
 VSWR : **2:1 Maxi.**
 VSWR : **1.5:1 Typical**

Peak Gain : **+2.0 dBi +/- 1 dB**
 Average Gain: **+1.5 dBi +/- 1 dB**
 Gain Ripple: **+/- 0.5 dB**

Radiation Pattern

-3 dB beamwidth

Horizontal Plane : **360°**
 Vertical Plane : **76° ° ±3°**

Polarization : **VERTICAL**

Power withstanding : **2 W**

Connector type : **SMA Male**

Cable type : **none**

MECHANICAL CHARACTERISTICS

Plastic radome : **Polyurethane**

Color : **Black**

Weight : **26 g**

Issue : 0242A

In the effort to improve our products, we reserve the right to make changes judged to be necessary.

**SWIVEL DIPOLE 890 – 960 GHz – GAIN : 2 dBi
SMA - Male**

SPDA24918

OMNIDIRECTIONAL ANTENNA

Series : ANTENNA

Overall length :

222 mm
8.75 inches

ENVIRONMENTAL CHARACTERISTICS

Operating temperature :

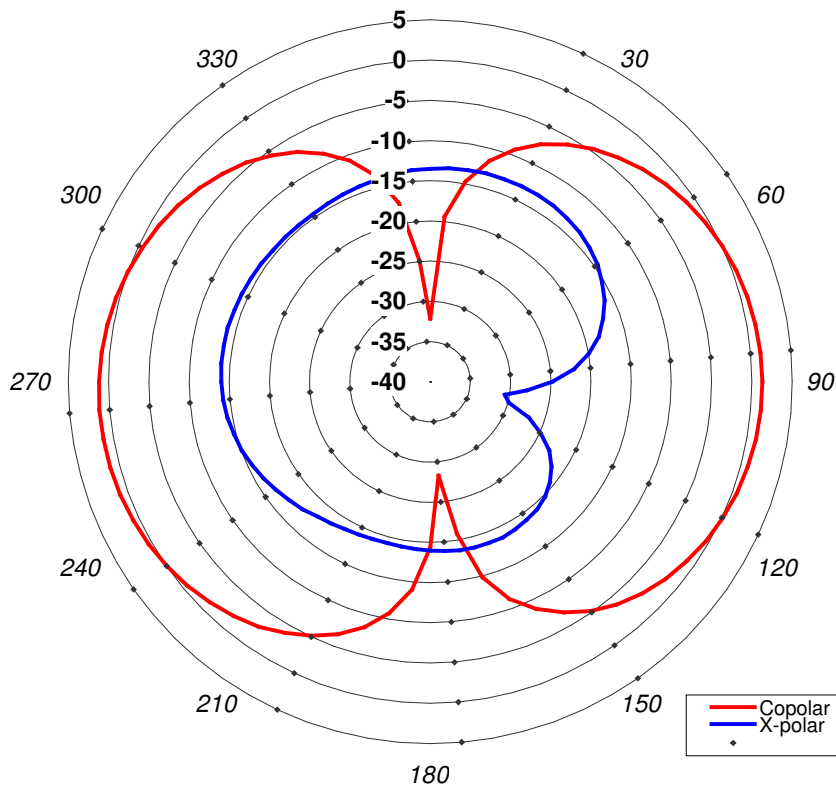
-30/+60 °C

Humidity:

Up to 100% @ 38°C

CURVES

**Gain, Dipolar Plane
dBi**



Issue : 0242A

In the effort to improve our products, we reserve the right to make changes judged to be necessary.

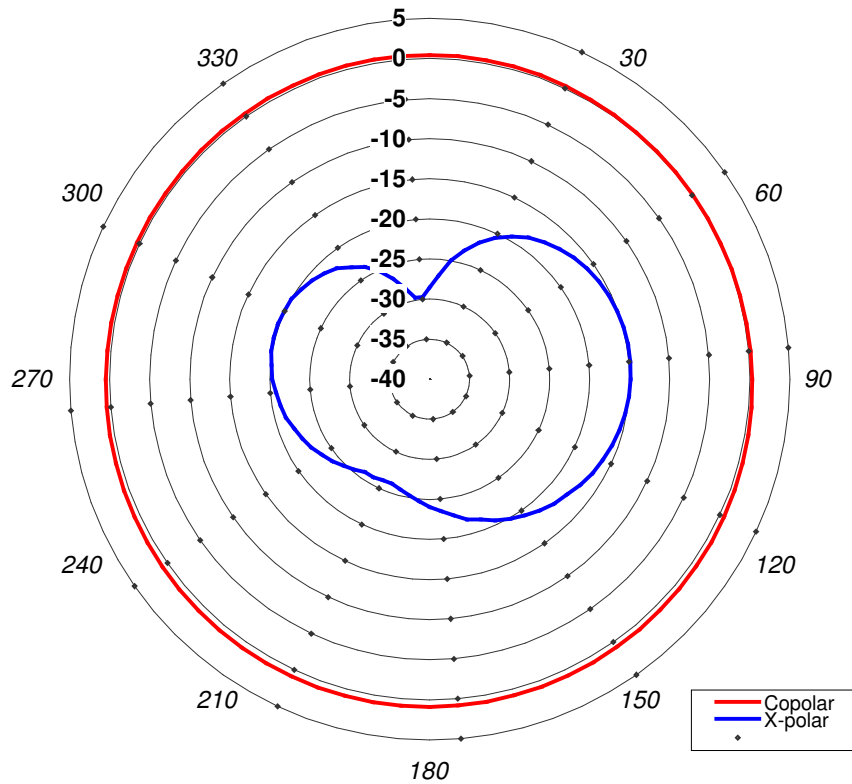
SWIVEL DIPOLE 890 – 960 GHz – GAIN : 2 dBi
SMA - Male

SPDA24918

OMNIDIRECTIONAL ANTENNA

Series : ANTENNA

Gain, Omnidirectional Plane
dBi



Issue : 0242A

In the effort to improve our products, we reserve the right to make changes judged to be necessary.